

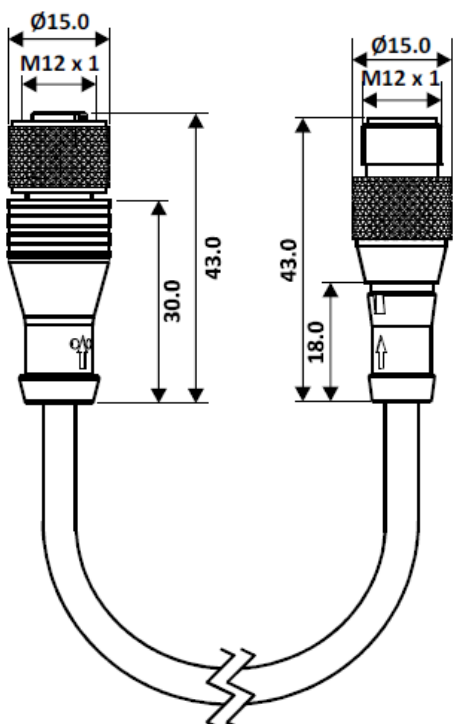
Datasheet

Connector Assembly

RS Stock 877-1198



Dimensions: (mm)



Specifications

General Specification

Rated Operational Voltage	250 V
Current Rating	4A
Insulation Resistance	$\geq 100 \text{ M}\Omega$
Temperature Range	-25°C ... +75°C
Degree of Protection	IP67

Material Specification

Grip Material	PU
Contact	Cu-Zn
Contact Plating	Gold Plated
Contact Carrier	Nylon 66
O-Ring	Neoprene
Grip Colour	Black
Coupling Nut	Brass Nickel-Plated

Cable Specification

Cable Length-L	2 m
Cable Type	4 Core PVC Multi Strand
Sheath Colour	Black
Cross Section of Wire	0.34 sq. mm
Core Dia	1.3 mm
Cable Dia	$4.9 \pm 0.1 \text{ mm}$
Termination	Partially Stripped