



Datasheet

ENGLISH

Marine Panel

Switch & Breaker with Mounting Panel

RS Stock No. 1748326,1748314



Package Contain:

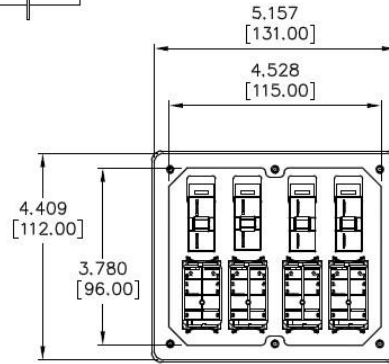
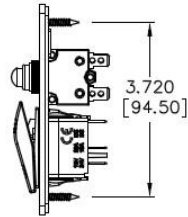
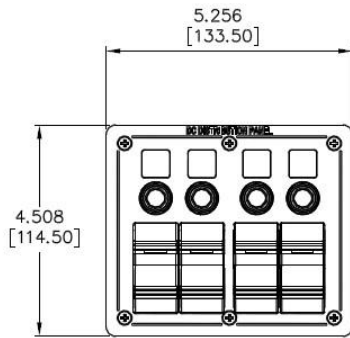
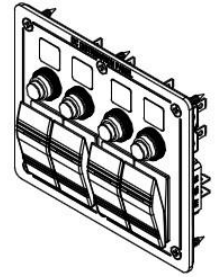
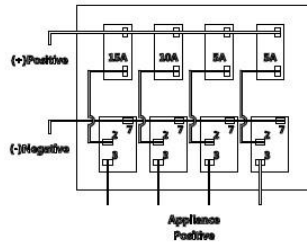
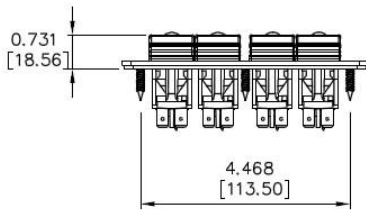
- 4 x Rocker Switch
- 2 x 5A Breaker
- 1 x 10A Breaker
- 1 x 15A Breaker
- 1 x Rubber Pad
- 6 x Stainless Steel Screw

Specification:

SWITCH TYPE:		1748326,1748314
POLES/THROWS:		SPST
SWITCH FUNCTIONS:		ON-OFF
ELECTRICAL CHARACTERISTICS	VOLTAGE:	12VDC
	TOTAL LOAD CURRENT:	35A
	ELECTRICAL LIFE:	10,000 make-and-break cycles at full load
	CONTACT RESISTANCE:	20m-ohms max. initial @ 2-4VDC, 100mA
	INSULATION RESISTANCE:	Apply 500VDC for 1min±5sec. After which measurement to be made b/w terminals shall result 100M-ohms min.
	DIELECTRICAL STRENGTH:	1,500VAC (50Hz-60Hz) RMS @ sea level shall result no damage to parts arcing or flashover
RELIABILITY PERFORMANCE	OPERATING TEMPERATURE:	-30Celsius degree to +85Celsius degree
	MECHANICAL LIFE:	Without load, 10,000cycles min.
	SOLDERING HEAT RESISTANCE:	Max soldering temperature @ 260Celsius degree, immersion time 5+/-1sec, frequency of soldering process @ 2 times max.
	COLD TEST:	Stored at temperature -30(+/-3)Celsius degree for 48 hours, shall result no changes to switch's electrical performance
	HOT TEST:	Stored at temperature +85(+/-3)Celsius degree for 48 hours, shall result no changes to switch's electrical performance
	HUMIDITY TEST:	Stored at temperature 40(+/-3)Celsius degree with relative humidity 90%~95% for 48 hours, shall result no changes to switch's electrical performance

	SALT SPRAY TEST:	Stored at temperature @ 35(+/-3)Celsius degree, and salt solution concentration of 5% with full air temperature @ 47(+/-3) Celsius degree and air pressure 1.0kg for 48 hours. The switch shall result no corrosion as well as no apparent changes to its functional performance. Per ASTM-B117 & JIS-Z371 STD.
--	-------------------------	---

SOLDERING & CLEANING RECOMMENDATION	HAND SOLDERING:	Max. temperature @ 350 Celsius degree (662F)with continuous soldering time @ 3sec. max.
	CLEANING PROCESS:	Noted, the switch is "not totally sealed" so it is important not to immerse/spray or clean unsealed areas of the switch during flux removal. Improper cleaning could cause switch deficiencies such as intermittence or open contact failures
PACKAGE	INTERNAL PACKAGING:	Tray
	RoHS IDENTIFICATIONS:	Package is attached with a label marking "RoHS"
PRODUCT HANDLING & STORING	<p>The switch is suitable for power rated applications, rating recommendation is per aforementioned above (Contact rating section)</p> <p>Problem relates to terminal oxidization can be prevented by storing product in an environment that is dry and cool with the relative humidity less than 90%. Noted, prior to mounting products onto circuit board as well as for unused units, it is recommended to keep them in the bag and with the bag sealed.</p>	



- Rocker Switch x 4 (SPST / ON-OFF)
- 5A Breakers x 2
- 10A Breakers x 1
- 15A Breakers x 1
- Rubber Pad x 1
- Stainless Steel Screw x 6
- Symbol x 40 option
- Size of Panel: 114.5x133.5mm
- Size of Screw Hole: 94.5x113.5mm
- Size of Hole: 85x102mm