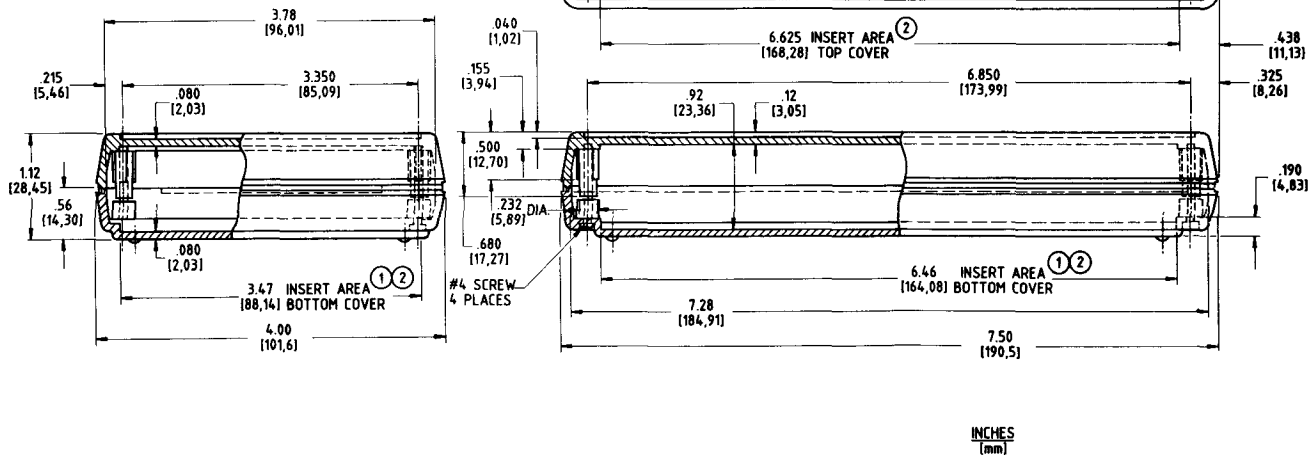


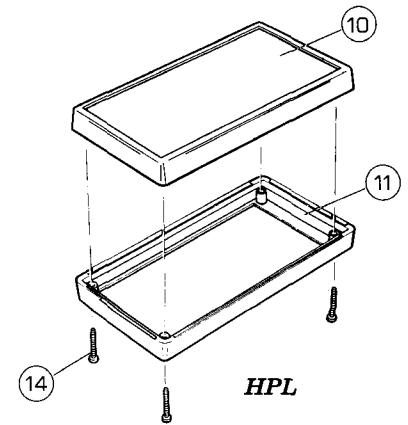
HPL-BC (BELT CLIP)

NOTE -DATUM-  
FOR CUSTOM OR MACHINING MODIFICATIONS  
USE THE INSERT EDGES OR BOSS CENTERS.

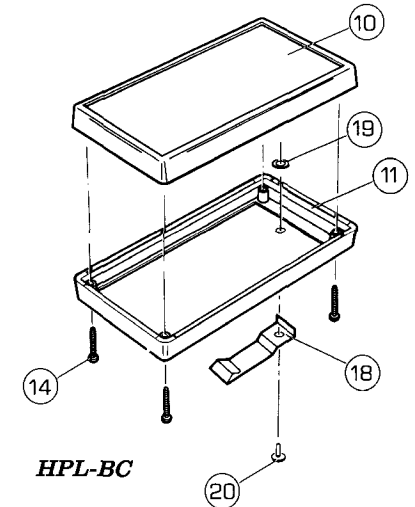
- ① EXTERIOR INSERT AREA, FOR IN MOLD MODIFICATION.
- ② INTERIOR INSERT AREA, FOR IN MOLD MODIFICATION.



INCHES  
(mm)



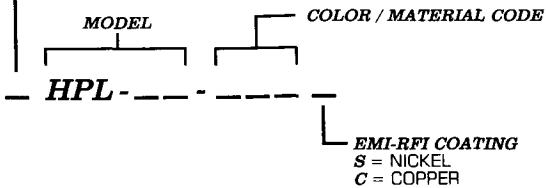
HPL



HPL-BC

### MODEL NUMBER GENERATION

K = KIT  
P = PRODUCTION UNIT



### COLOR / MATERIAL CODE

| COLOR     | 94HB | 94VO |
|-----------|------|------|
| BLACK     | 000  | 028  |
| GREY      | 001  | 024  |
| TAN       | 002  | 025  |
| P.C. BONE | 039  | 060  |

| ITEM | PART NUMBER  | DESCRIPTION        | HPL  |     | HPL-BC |     |
|------|--------------|--------------------|------|-----|--------|-----|
|      |              |                    | PROD | KIT | PROD   | KIT |
| 20   | 60535-01     | RIVET              | -    | -   | 1      | 1   |
| 19   | 60534-01     | WASHER             | -    | -   | 1      | 1   |
| 18   | 63449-01     | BELT CLIP          | -    | -   | 1      | 1   |
| 14   | 60227-04     | SCREW, P.H. #4X.56 | 4    | 4   | 4      | 4   |
| 11   | 62701-01-XXX | BOTTOM COVER       | -    | -   | 1      | 1   |
| 11   | 60595-01-XXX | BOTTOM COVER       | 1    | 1   | -      | -   |
| 10   | 60589-01-XXX | TOP COVER          | 1    | 1   | 1      | 1   |

