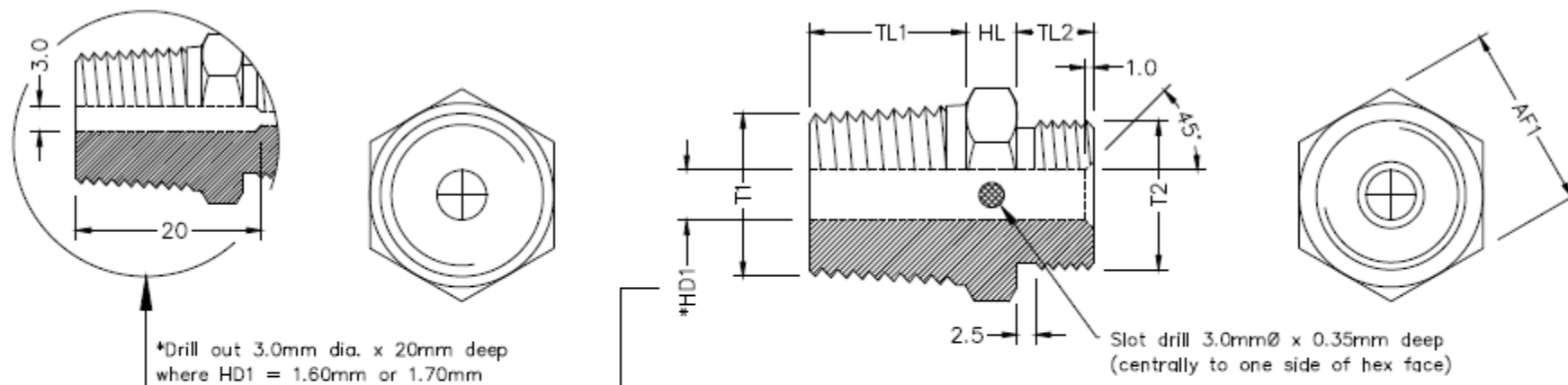


Dimensions



Suits Probe \varnothing	HD1	T1	TL1	T2	TL2	AF1	HL
6.0	6.10	1/4"NPT	12.0	M12x1.5	7.8	14.29	5.2

Dimensions in mm unless specified otherwise