

FEATURES

- Quick connection and disconnection
- Large range to comply food norms
- Silicon free
- Operating temperature range is from - 15 °C to + 190 °C

RS PRO TEE CONNECTOR - FOOD GRADE

RS Stock No.: 2312775



RS PROfessionally Approved Products bring to you professional quality parts across all product categories. Our product range has been tested by engineers and provides a comparable quality to the leading brands without paying a premium price.

Product Description

The RS PRO tee connector works in - 0.99 bar to 20 bar pressure range. It is mainly used in dairy, coffee machine, vending, food & beverage, medical, vacuum applications. It is available in brass with Food Grade coating. In combination with FEP tubes, it is the most demanded solution for the Food & Beverage market. Because of the special coating it can be used also in aggressive environment. RoHS and REACH compliant.

General Specifications

| | |
|---------------------|---|
| Material | Nickel Plated Brass |
| Applications | Lubrication System, Cooling System, Pneumatic Machinery Equipment |

Mechanical Specifications

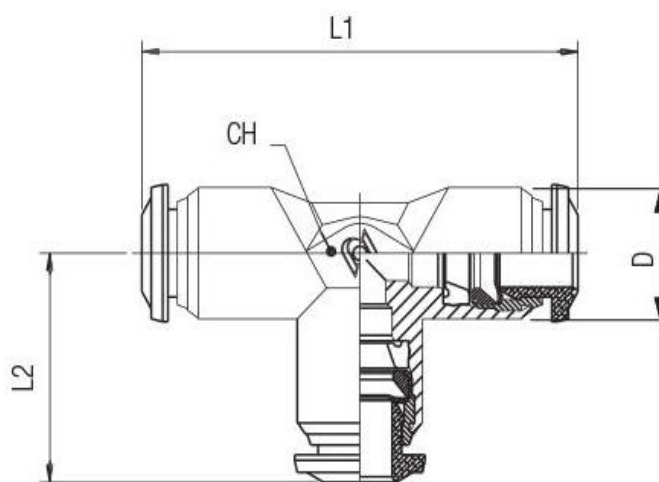
| | |
|-------------------------------|------|
| Connection Type | Tube |
| Tube Connection Size | 8mm |
| Hose Barb Connection | 8mm |
| Mounting Hole Diameter | 14mm |
| Wrench | 13 |
| Length | 45mm |

Operation Environment Specifications

| | |
|--------------------------------------|-------|
| Minimum Operating Temperature | -15°C |
| Maximum Operating Temperature | 190°C |

Similar Products

| Parameters | 2312774 | 2312773 |
|--------------------------|---------|---------|
| Brand | RS PRO | RS PRO |
| Wrench Size ¹ | 11 | 9 |
| Length L1 | 42mm | 34mm |
| Length L2 | 21mm | 17mm |



| Tube | L1 | L2 | CH | D | Bag |
|------|----|------|----|----|-----|
| 8 | 45 | 22.5 | 13 | 14 | 10 |