

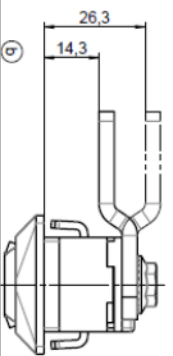
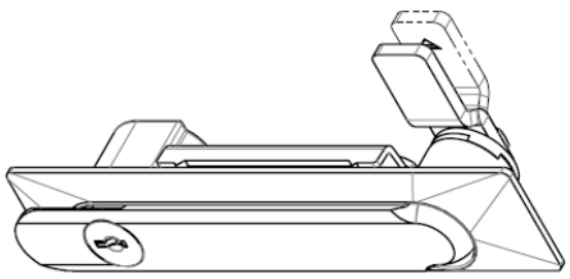
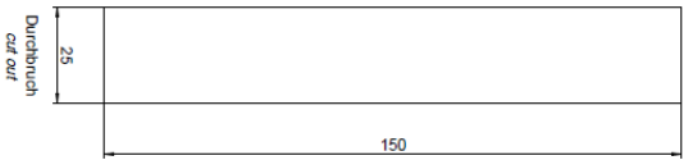
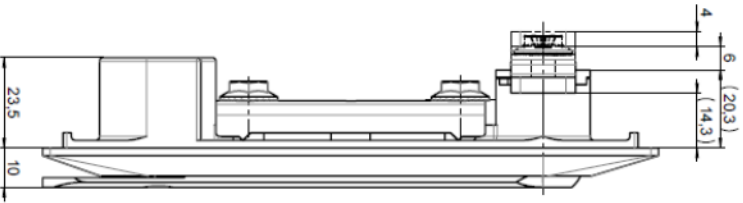
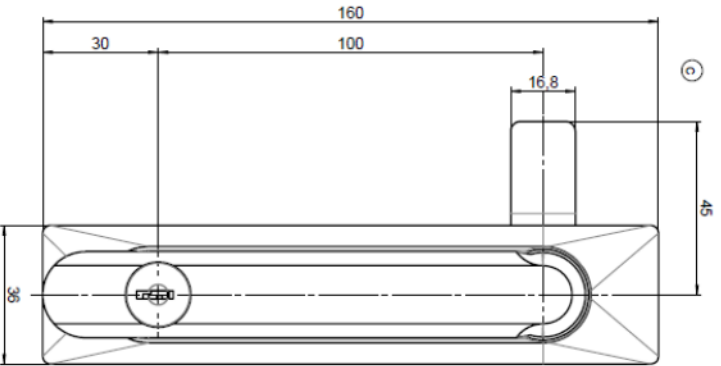
Datasheet

RS Pro Black Coated Zinc Alloy Swing Handle 160mm x 36mm x 10mm

RS Stock No: 136-3619



- Swing handle with handle and housing base made from black powder coated zinc alloy and cam from zinc plated steel.
- Open by lifting and rotating handle.
- Left hand, right hand, and 12 o'clock locking positions provided for.
- Grip length 26.3 mm and 14.3 mm by reversing the cam - see below on page 2.
- Keyed alike. Supplied with two keys.
- IP54 protected. Keyway has spring loaded shutter to prevent the ingress of water.
- Door panel thickness - 3mm maximum.
- Latch may be operated without the handle being locked in the closed position.
- External size on door: 160mm x 36mm x 10mm high.
- Installation cut out: 150mm x 25mm.
- Weight: 0.436 Kg.



ⓑ maximum door thickness 3mm

RAL 9005
Türschwarz / deep black

	Typ / Ausführung	Zul. / Zul.	Qualitätsnorm	Material GG-Zn	STW-Mat. Nr.
			ISO 1302	Anwendung	0 9 0 01
		ÖNorm	Norm	Bezeichnung	Schwenkhebel
		Bezugs- Größe	m. Maße 16.07.15	Legende	swing handle
		Norm			Material Form A3