



TOOL STORAGE TOOL MODULES



Discover more at
rspro.com



TOOL KITS IN ROLLER CABINETS

Tool System Solutions from RS for Garages, Factories and Workshops

Our revised program consists of various combinations of tools for users in different industries, presented in roller cabinets with the highest build quality. All the tools in the system are offered in double colour EVA modules, each tool has its unique 3D cutout slot for a comfortable and snug fit. This system helps inventory control by the detection of missing tools at a glance, contributing to your overall economy and efficiency. All the mechanical hand tools in the system are guaranteed against defects in material and production.

RS PLUS



RS Tool Modules

Increased efficiency in workshops, missing tools can be identified at a glance thanks to the two colour design.

3 dimensional cut outs for each tool for a comfortable, snug fit

Finger spaces for easy removal of tools

Chemically resistant high quality EVA material



Easy identification of missing tools

1253045

6 Drawer RS PLUS

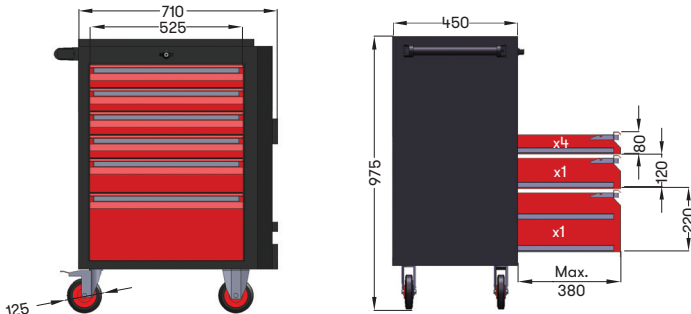
- Sturdy and dependable construction, premium quality sheet steel.
- Elegant and durable electrostatic matt powder coated, scratch proof.
- 6 fully extendible drawers – compatible with SBS inlays
- Each drawer can accommodate 3 SBS EVA tool modules
- Smart-Lock™ system on every drawer preventing accidental opening while the cabinet is on the move.
- Low friction telescopic ball bearing slides ensuring silk smooth operation.
- Bottom drawer with double slides.
- Central locking mechanism.
- Holders for spray cans and paper rolls.
- Recessed worktop with a high quality mat to ensure a convenient working area.
- Compatible with A01-PS tool panel.



RS PLUS



6 drawers



CODE NO	HxWxD / mm	kg
1253045	975 × 710 × 450	60.2

8755789

6 Drawer WRS PLUS

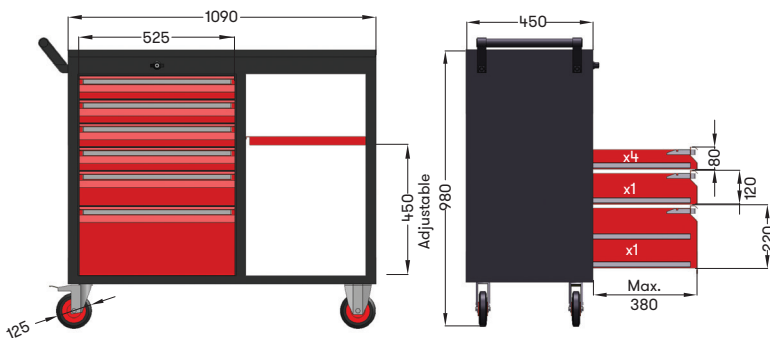
- Sturdy and dependable construction, premium quality sheet steel.
- Elegant and durable electrostatic matt powder coated, scratch proof.
- 6 drawers – compatible with SBS inlays.
- Low friction telescopic ball bearing slides ensuring silk smooth operation. Bottom drawer with double slides.
- Each drawer can accommodate 3 SBS EVA tool modules
- Smart-Lock™ system on every drawer preventing accidental opening while the cabinet is on the move.
- Central locking mechanism.
- Directly accessible tray for bulky items. The middle tray's height is adjustable.
- Recessed worktop with a high quality mat to ensure a convenient working area.
- Compatible with A01-PL tool panel.



RS PLUS



6 drawers



CODE NO	HxWxD / mm	kg
8755789	980 × 1090 × 450	66.3

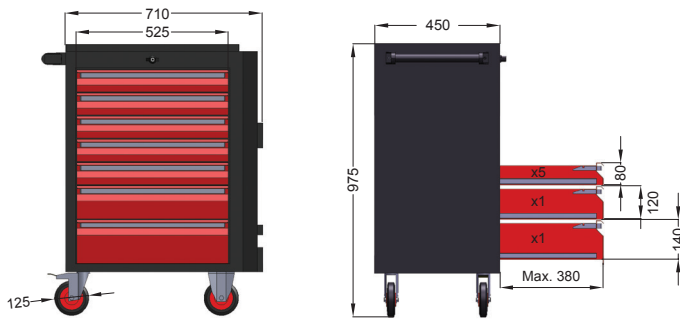
8335900

7 Drawer RS PLUS

- Sturdy and dependable construction, premium quality sheet steel.
- Elegant and durable electrostatic matt powder coated, scratch proof.
- 7 fully extendible drawers – compatible with tool modules inlays
- Each drawer can accommodate 3 EVA tool modules
- Smart-Lock™ system on every drawer preventing accidental opening while the cabinet is on the move.
- Low friction telescopic ball bearing slides ensuring silk smooth operation.
- Central locking mechanism.
- Heavy duty oil proof rubber wheels, two fixed and two swivelling, one with an emergency brake.
- Holders for spray cans and paper rolls.
- Recessed worktop with a high quality mat to ensure a convenient working area.



RS PLUS



7 drawers

CODE NO	HxWxD / mm	kg
8335900	975 x 710 x 450	66.4

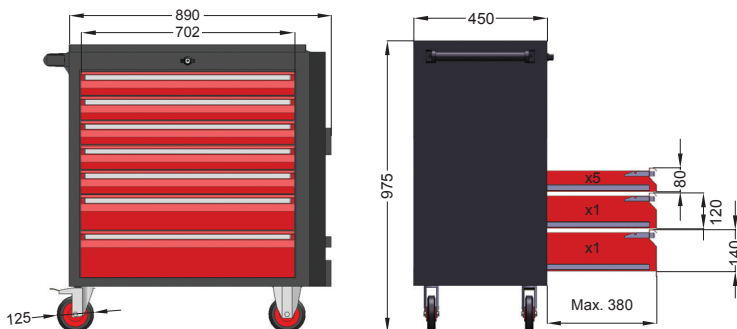
8335903

7 Drawer RS PLUS Jumbo

- Sturdy and dependable construction, premium quality sheet steel.
- Elegant and durable electrostatic matt powder coated, scratch proof.
- 7 fully extendible drawers – compatible with tool modules inlays
- Each drawer can accommodate 4 EVA tool modules
- Smart-Lock™ system on every drawer preventing accidental opening while the cabinet is on the move.
- Low friction telescopic ball bearing slides ensuring silk smooth operation.
- Central locking mechanism.
- Holders for spray cans and paper rolls.
- Recessed worktop with a high quality mat to ensure a convenient working area.



RS PLUS



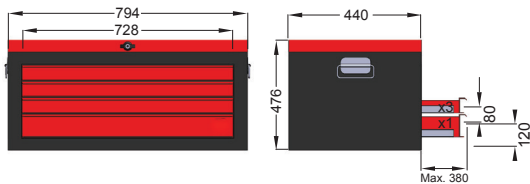
7 drawers
XL Dimensions

CODE NO	HxWxD / mm	kg
8335903	975 x 890 x 450	72.5

8335907

4 Drawer Chest Jumbo

- Sturdy and dependable construction, premium quality sheet steel.
- Elegant and durable electrostatic matt powder coated, scratch proof.
- 4 drawers - compatible with tool modules inlays.
- Each drawer can accommodate 4 EVA tool modules.
- 80 mm deep top locker with integrated locking mechanism
- Low friction telescopic ball bearing slides ensuring silk smooth operation.
- Integrated carrying handles.



RS PLUS



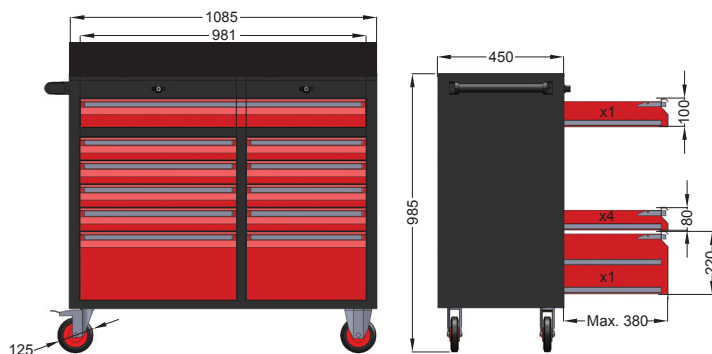
4 drawers

CODE NO	HxWxD / mm	kg
8335907	476 x 794 x 440	20

8335916

11 Drawer Cabinet

- Sturdy and dependable construction, premium quality sheet steel.
- Elegant and durable electrostatic matt powder coated, scratch proof.
- 11 fully extendible drawers - 5 of which are compatible with tool modules inlays.
- Each drawer on the left can accommodate 3 EVA tool modules.
- Low friction telescopic ball bearing slides ensuring silk smooth operation.
Bottom drawer with double slides.
- Foamed rubber mats in drawer bases.
- Central locking mechanism. No possibility of key match.
- Smart-Lock™ system on every drawer preventing accidental opening while the cabinet is on the move.
- Recessed worktop with a high quality mat to ensure a convenient working area.



RS PLUS

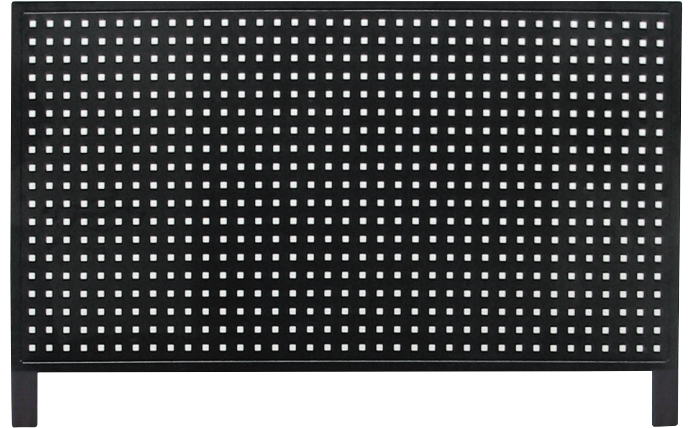



11 drawers

CODE NO	HxWxD / mm	kg
8335916	985 x 1085 x 450	90

87557 Series Tool Panels (for Roller Cabinets)

- Sturdy and dependable construction, premium quality sheet steel.
- Elegant and durable electrostatic matt powder coated, scratch proof.
- A01-PS is designed to fit roller cabinets A01-06 and A01-07.
- A01-PL is designed to fit roller cabinets A01-11 and A01-06W.
- Compatible with A17-H hooks.
- Includes bolts and washers required to fix the panel to the cabinet.



CODE NO	WxH / mm	 kg
8755777	630 x 600	5.6
8755786	1100 x 600	8.6



8755777 +
1253045



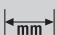


8755786 +
8335916

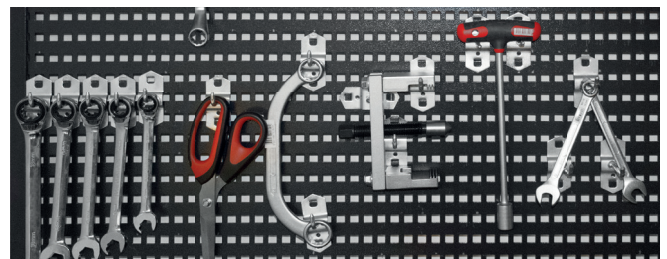


8755786 +
8755789

8755783 Hook for Tool Panels

For use with A01-PS, A01-PL, A20-100, A20-170 tool panels and A17(S)P work benches with tool panels

CODE NO	 mm	 mm	
8755783	70	4.7	12



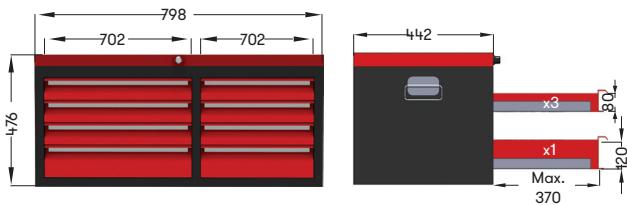
1253044

Chest Jumbo for A01-11 - 8 Drawers

- Sturdy and durable construction, premium quality sheet steel
- Fits onto A01-11 jumbo roller cabinet
- 8 drawers - compatible with SBS inlays
- 80 mm deep top locker with integrated locking mechanism
- Low friction telescopic ball bearing slides ensuring silk smooth operation
- Integrated carrying handles

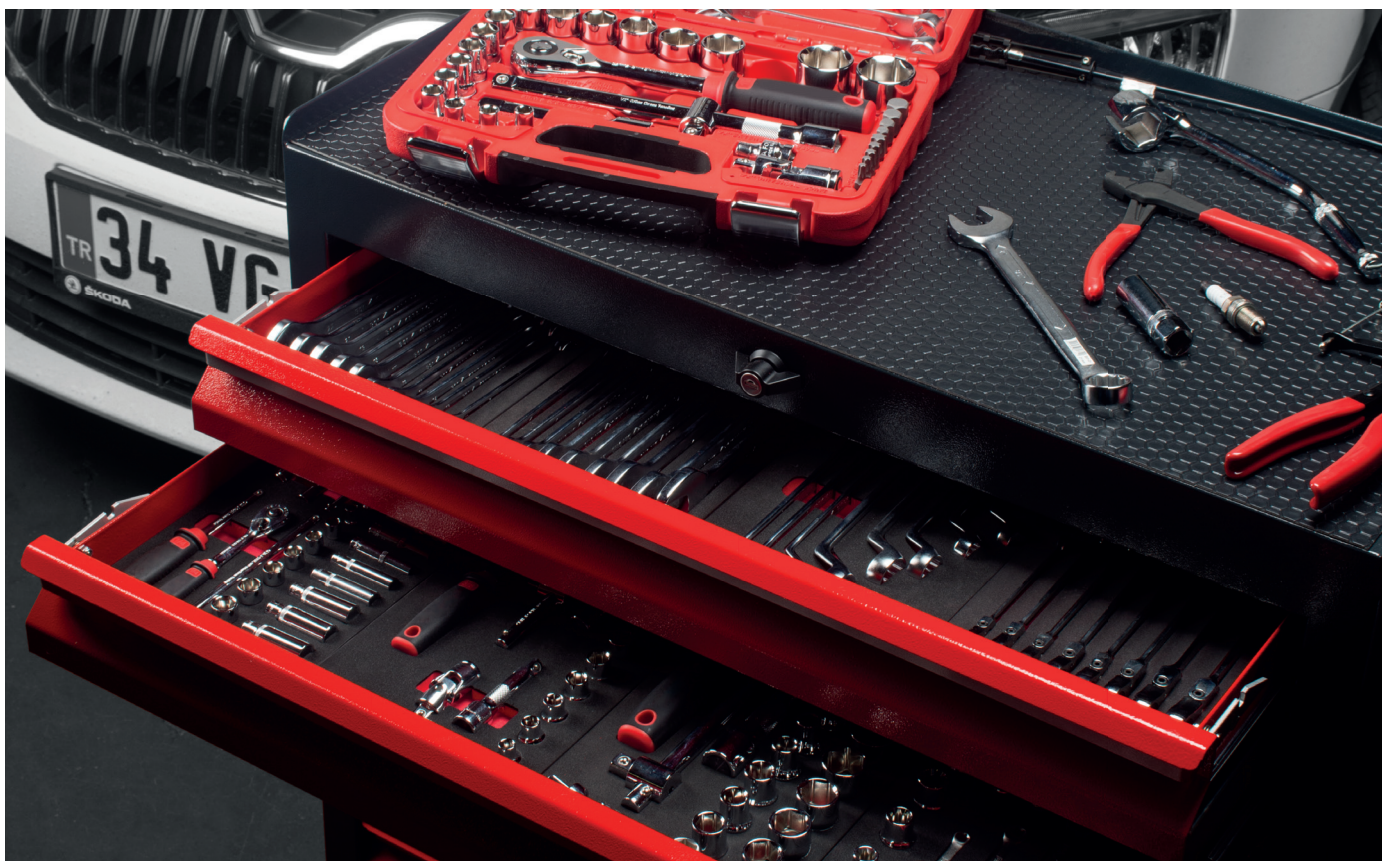


RS PLUS



8 drawers

CODE NO	HxWxD / mm	kg
1253044	476 x 798 x 442	30



- Heavy Duty Tool Cabinets
- Standard Duty Tool Cabinets
- Maintenance Cart
- Mobile Tool Cupboard
- Service Cart



- Recessed worktop

- Central locking system

- Low friction telescopic ball bearing slides; fully accessible drawers.

- Heavy duty oil proof rubber wheels
2 fixed and 2 swivelling,
1 with brake system]



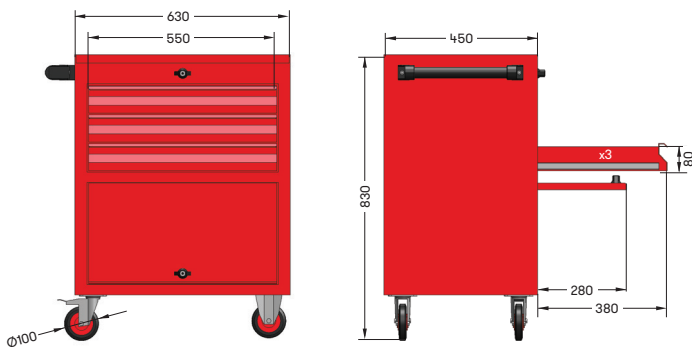
7531573

3 Drawer Heavy Duty Tool Cabinet

- Sturdy and dependable construction, premium quality sheet steel. Elegant and durable electrostatic matt powder coated, scratch proof.
- 3 fully extendible drawers
- Each drawer can accommodate 3 EVA tool modules.
- Low friction telescopic ball bearing slides ensuring silk smooth operation.
- Central locking mechanism.
- 100 diameter, 2 locking swivel castors and 2 fixed castors



Heavy Duty



3 drawers

CODE NO	HxWxD / mm	kg
7531573	830 x 630 x 450	39.30

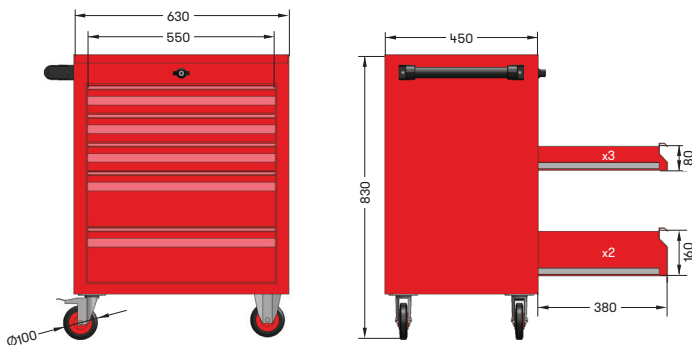
7531576

5 Drawer Heavy Duty Tool Cabinet

- Sturdy and dependable construction, premium quality sheet steel. Elegant and durable electrostatic matt powder coated, scratch proof.
- 5 fully extendible drawers
- Each drawer can accommodate 3 EVA tool modules.
- Low friction telescopic ball bearing slides ensuring silk smooth operation.
- Central locking mechanism.
- 100 diameter, 2 locking swivel castors and 2 fixed castors



Heavy Duty



5 drawers

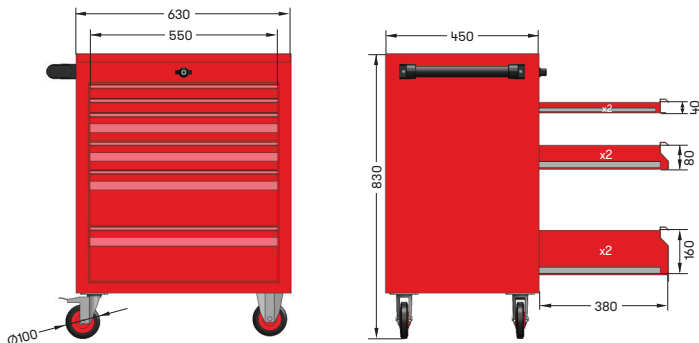
CODE NO	HxWxD / mm	kg
7531576	830 x 630 x 450	45.65

7531570

6 Drawer Heavy Duty Tool Cabinet

- Sturdy and dependable construction, premium quality sheet steel. Elegant and durable electrostatic matt powder coated, scratch proof.
- 6 fully extendable drawers
- Each drawer can accommodate 3 EVA tool modules.
- Low friction telescopic ball bearing slides ensuring silk smooth operation.
- Central locking mechanism.
- 100 diameter, 2 locking swivel castors and 2 fixed castors

Heavy Duty



6 drawers

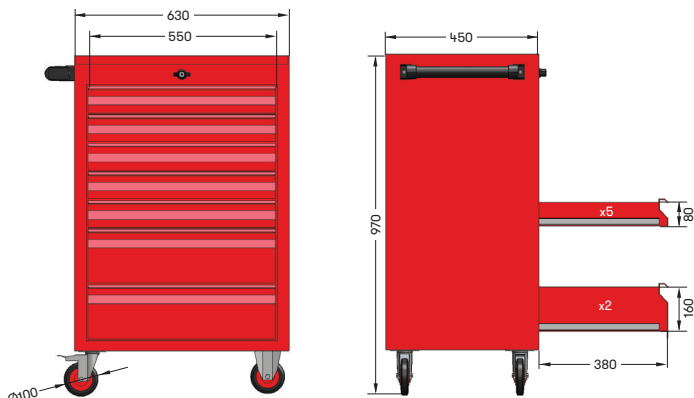
CODE NO	HxWxD / mm	kg
7531570	830 x 630 x 450	47.70

7531589

7 Drawer Heavy Duty Tool Cabinet

- Sturdy and dependable construction, premium quality sheet steel. Elegant and durable electrostatic matt powder coated, scratch proof.
- 7 fully extendable drawers
- Each drawer can accommodate 3 EVA tool modules.
- Low friction telescopic ball bearing slides ensuring silk smooth operation.
- Central locking mechanism.
- 100 diameter, 2 locking swivel castors and 2 fixed castors

Heavy Duty



7 drawers

CODE NO	HxWxD / mm	kg
7531589	970 x 630 x 450	58.90

7531582

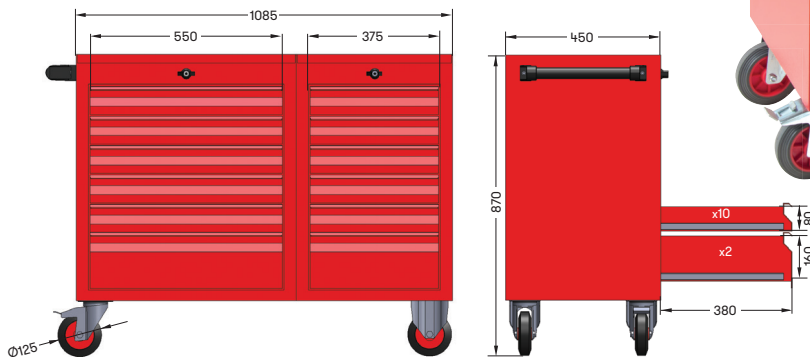
12 Drawer Maintenance Cart

- Sturdy and dependable construction, premium quality sheet steel.
Elegant and durable electrostatic matt powder coated, scratch proof.
- 12 fully extendible drawers
- Each drawer on the left can accommodate 3 EVA tool modules.
- Low friction telescopic ball bearing slides ensuring silk smooth operation.
- Central locking mechanism.
- 125 diameter, 2 locking swivel castors and 2 fixed castors



12 drawers

Heavy Duty

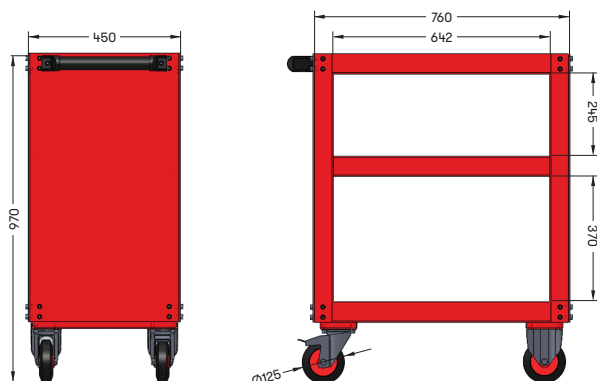


CODE NO	HxWxD / mm	kg
7531582	870x1085x450	87.75

7531592

Service Cart

- Sturdy and dependable construction, premium quality sheet steel.
Elegant and durable electrostatic matt powder coated, scratch proof.
- Base, middle and bottom shelves with edges to contain tools.
- 125 diameter, 2 locking swivel castors and 2 fixed castors



CODE NO	HxWxD / mm	kg
7531592	970 x 760 x 450	31.60

7531586

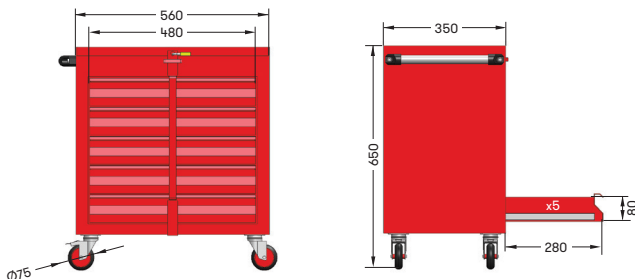
5 Drawer Standard Duty Tool Cabinet

- Sturdy and dependable construction, premium quality sheet steel. Elegant and durable electrostatic matt powder coated, scratch proof.
- 5 fully extendible drawers
- Low friction telescopic ball bearing slides ensuring silk smooth operation.
- Padlock locking mechanism.
- 75 diameter, 2 locking swivel castors and 2 fixed castors



5 drawers

Standard Duty



CODE NO	HxWxD / mm	kg
7531586	650 x 560 x 350	28.65

7531595

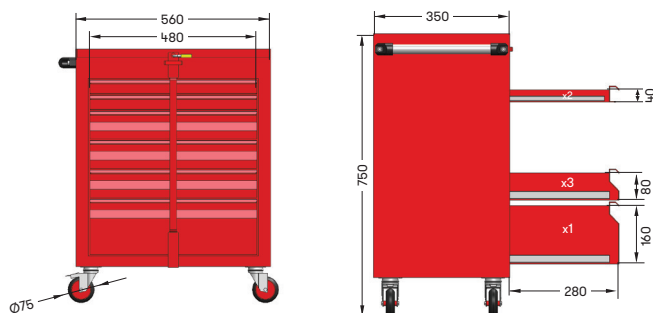
6 Drawer Standard Duty Tool Cabinet

- Sturdy and dependable construction, premium quality sheet steel. Elegant and durable electrostatic matt powder coated, scratch proof.
- 6 fully extendible drawers
- Low friction telescopic ball bearing slides ensuring silk smooth operation.
- Padlock locking mechanism.
- 75 diameter, 2 locking swivel castors and 2 fixed castors



6 drawers

Standard Duty

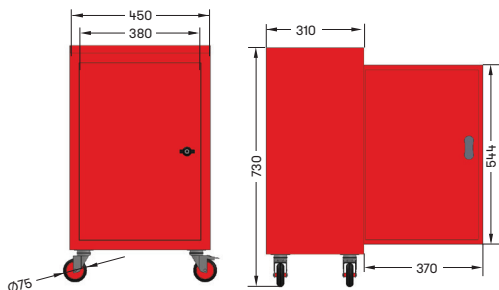


CODE NO	HxWxD / mm	kg
7531595	750 x 560 x 350	33.45

7531598

Mobile Tool Cupboard

- Sturdy and dependable construction, premium quality sheet steel. Elegant and durable electrostatic matt powder coated, scratch proof.
- Locking mechanism.
- 75 diameter, 2 locking swivel castors and 2 fixed castors

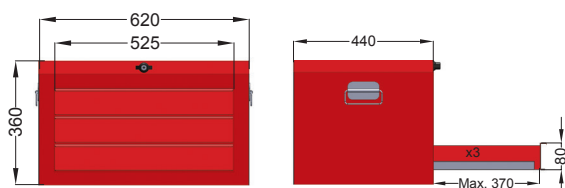


CODE NO	HxWxD / mm	kg
7531598	730 × 450 × 310	11.95

7681678

3 Drawer Tool Chest

- Sturdy and dependable construction, premium quality sheet steel.
- Elegant and durable electrostatic matt powder coated, scratch proof.
- Easily fits onto RS PLUS and RS series roller cabinets. Especially recommended to increase the stocking capacity of these roller cabinets.
- 3 drawers - compatible with tool modules inlays.
- Each drawer can accommodate 3 EVA tool modules.
- 80 mm deep top locker with integrated locking mechanism
- Low friction telescopic ball bearing slides ensuring silk smooth operation.
- Integrated carrying handles.

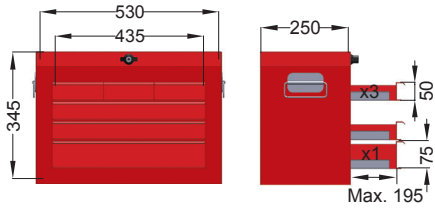


3 drawers

CODE NO	HxWxD / mm	kg
7681678	360 × 620 × 440	20

7681671 6 Drawer Tool Chest

- Sturdy and dependable construction, premium quality sheet steel.
- Elegant and durable electrostatic matt powder coated, scratch proof.
- 3 small drawers on the top row.
- 80 mm deep top locker.
- Low friction telescopic ball bearing slides ensuring silk smooth operation.
- Integrated carrying handles.



6 drawers

CODE NO	HxWxD / mm	kg
7681671	345 × 530 × 250	18



IP67

TOOL CASE PROGRAMME

RS PRO has introduced a new tool case programme for professionals working in challenging conditions. Look after your tools with new tool case- a highly versatile case for technicians, engineers and maintenance operatives.

- ✓ Waterproof design
- ✓ Customizable tool fixing system
- ✓ Impact resistant material
- ✓ Stackability
- ✓ Soft grip handle

1253050 Tool Case (Mobility) - Empty

1253049 Tool Case - Empty




CODE NO	HxWxD / mm	kg
1253049	530 × 400 × 180	5.0

CODE NO	HxWxD / mm	kg
1253050	530 × 400 × 230	6.0

8335988 19" Plastic Tool Box

- Compact dimensions with highest possible storage capacity.
- Two organizers on top with lids.
- Telescoping design carry handle.
- Removable tote tray.
- Sturdy plastic latches.
- Padlock clasp (padlock not supplied)
- Industrial quality tools



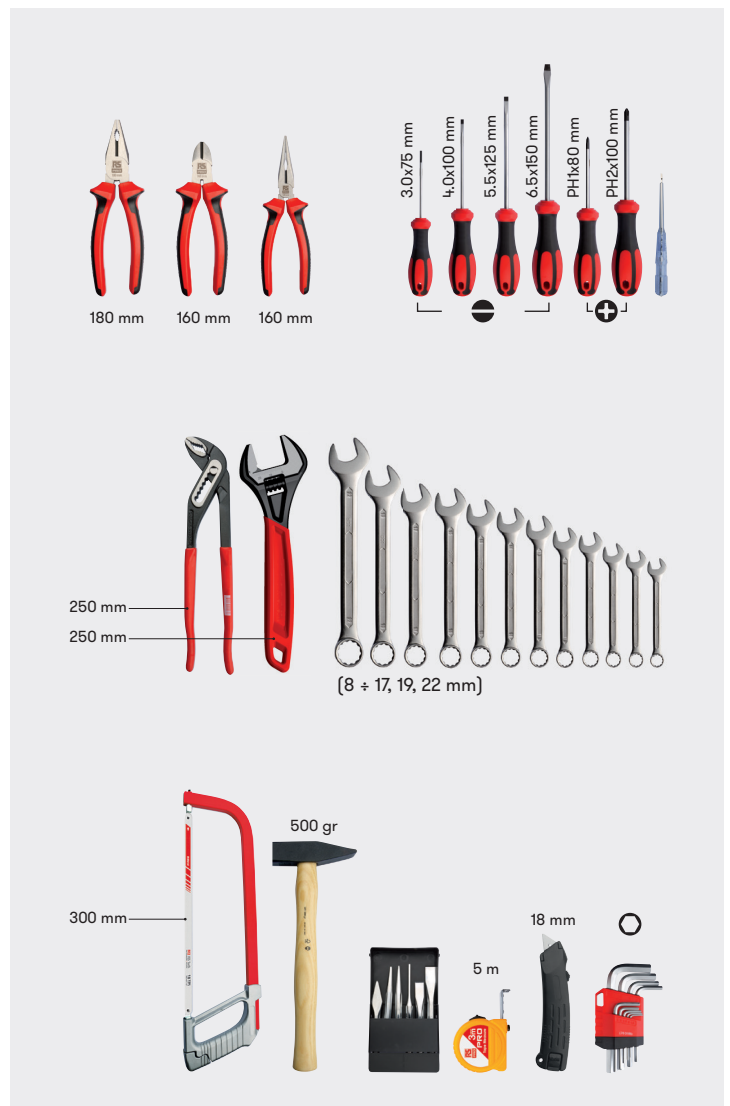
CODE NO	HxWxD / mm	 kg
8335988	494 × 263 × 250	1.9

8335979 43pc Tool Kit

- The perfect tool kit for professional mechanics in the industry and trade
- Industrial quality tools



CODE NO	HxWxD / mm	 kg
8335975	494 × 263 × 250	6.9



RS TOOL MODULES

SIZE: 370 mm x 175 mm x 35 mm

8335922

16pc Combination Wrench Set

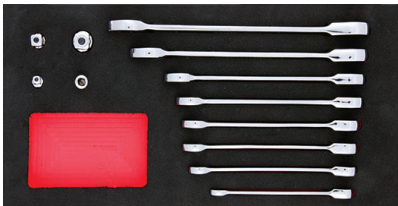


B01 (6, 7, 8, 9, 10, 11, 12, 13, 14, 15, 16, 17, 18, 19, 21, 22 mm)
Combination Wrenches

CODE NO	PIECES	PRICE/€
8335922	16	

8335925

12pc Ratcheting Combination Wrench Set



B05 (8, 10, 11, 12, 13, 14, 17, 19 mm) C-GEAR Ratcheting Combination Wrenches (Straight)
B05-14S (1/4"- 10 mm), **B05-38S** (3/8"- 13 mm),
B05-12S (1/2"- 19 mm) C-GEAR Socket Adaptors,
B05-14B (1/4"- 10 mm) C-GEAR Bit Adaptor

CODE NO	PIECES	PRICE/€
8335925	12	

1253051

12pc C-GEAR Ratcheting Combination Wrench Set (Flex Head)



B06 (8, 10, 11, 12, 13, 14, 17, 19 mm)
C-GEAR Ratcheting Combination Wrenches (Flex Head)
B05-14S (1/4"- 10 mm), **B05-38S** (3/8"- 13 mm),
B05-12S (1/2"- 19 mm) C-GEAR Socket Adaptors,
B05-14B (1/4"- 10 mm) C-GEAR Bit Adaptor

CODE NO	PIECES	PRICE/€
1253051	12	12

1253053

18pc 3/8" Drive Socket Set



C11-12 3/8" Drive Quick Release Reversible Ratchet
C11-70 3/8" Drive Extension Bars (75, 150 mm)
C11-40 3/8" Drive Sliding T-Handle (200 mm)
C11-80 3/8" Drive Universal Joint
C12-H (6, 7, 8, 9, 10, 11, 12, 13, 14, 15, 17, 19, 22 mm) 3/8" Drive 6-Point Sockets

CODE NO	PIECES	PRICE/€
1253053	18	

8335950

23pc 1/2" Drive Socket Set with Ratchet

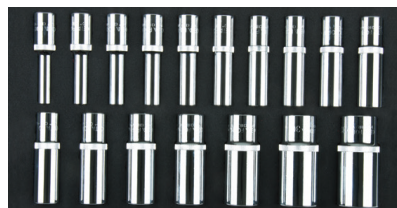


C21-12 1/2" Drive Quick Release Reversible Ratchet
C21-70 1/2" Drive Extension Bars (125, 250 mm)
C21-80 1/2" Drive Universal Joint
C21-40 1/2" Drive Sliding T-Handle (250 mm)
C22-H (8, 9, 10, 11, 12, 13, 14, 15, 16, 17, 18, 19, 21, 22, 24, 27, 30, 32mm) 1/2" Drive 6-Point Sockets

CODE NO	PIECES	PRICE/€
8335950	23	

1253054

17pc 1/2" Drive Deep Socket Set

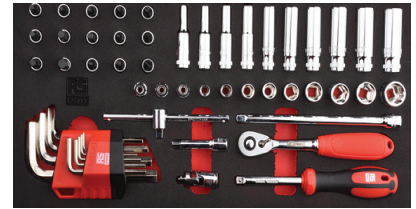


C24-H (8, 10, 11, 12, 13, 14, 15, 16, 17, 18, 19, 21, 22, 24, 27, 30, 32mm) 1/2" Drive 6-Point Deep Sockets

CODE NO	PIECES	PRICE/€
1253054	17	

8335935

52pc 1/4" Drive Socket and Hex Key Set



C01-12 1/4" Drive Quick Release Reversible Ratchet
C01-20 1/4" Drive Spinner Handle
C01-80 1/4" Drive Universal Joint
C01-40 1/4" Drive Sliding T-Handle (115 mm)
C01-70 1/4" Drive Extension Bar (50, 150 mm)
C02-H (4, 4.5, 5, 5.5, 6, 7, 8, 9, 10, 11, 12, 13 mm) 1/4" 6-Point Socket
C04-H (4, 5, 5.5, 6, 7, 8, 9, 10, 11, 12, 13 mm) 1/4" 6-Point Deep Socket
C08-T (T10, T15, T20, T25, T30, T40) 1/4" Drive TORX Socket Bits
C08-H (3.0, 4.0, 5.0, 6.0, 8.0) 1/4" Drive Hexagon Socket Bits
C08-S (5.5 mm) 1/4" Drive Slotted Socket Bits
C08-PH (PH2) 1/4" Drive Phillips Socket Bits
C08-PZ (PZ2) 1/4" Drive Pozidriv Socket Bits
LT/9 (1.5, 2, 2.5, 3, 4, 5, 6, 8, 10 mm) 9 Piece Hexagon L Key Set (Short Arm-Matt Chrome)

CODE NO	PIECES	PRICE/€
8335935	52	

1253055

18pc 1/2" Drive Impact Socket Set



C61-74 1/2" Drive Impact Extension Bar (125 mm)
C61-92 1/2" Drive Impact Socket Adaptor - F3/8" M1/2"
C62-H (10, 11, 12, 13, 14, 15, 16, 17, 18, 19, 21, 22, 24, 27, 30, 32 mm) 1/2" Drive 6-Point Impact Sockets

CODE NO	PIECES	PRICE/€
1253055	18	

1253056

10pc 1/2" Drive Impact Deep Socket Set

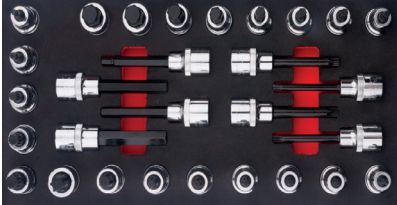


C64-H (10, 11, 12, 13, 14, 17, 19, 21, 22, 24 mm)
1/2" Drive 6-Point Impact Deep Sockets

CODE NO	PIECES	PRICE/€
1253056	10	

8335957

29pc 1/2" TORX/Hex/XZN Socket Bits Set



C28S-T (T20, T25, T30, T40, T45, T50, T55, T60) x 30 mm
1/2" Drive TORX Socket Bits (Replaceable Bit) - Short
C28S-TL (T30, T40, T45, T50) x 75 mm
1/2" Drive TORX Socket Bits (Replaceable Bit) - Long
C28S-H (5, 6, 7, 8, 10, 12, 14 mm) x 30 mm
1/2" Drive Hexagon Socket Bits (Replaceable Bit) - Short
C28S-HL (6, 8, 10, 12 mm) x 75 mm
1/2" Drive Hexagon Socket Bits (Replaceable Bit) - Long
C28S-X (M05, M06, M08, M10, M12) x 30 mm
1/2" Drive XZN Socket Bits (Replaceable Bit) - Short
L (2.5 mm) Hexagon L Key (Short Arm)

CODE NO	PIECES	PRICE/€
8335957	29	

8335947

39pc Slotted/PZ Screwdriver and Bit Set



F10 (3.0x75, 4.0x100, 5.5x125, 6.5x150 mm)
Slotted Screwdrivers
F17 (PZ1x80, PZ2x100 mm) Pozidriv Screwdrivers
F26/BT 1/4"x100 mm Bit Driver
CB/ST31 31 Piece Bit Set
6106 Voltage Tester (VDE Approved-Long)

CODE NO	PIECES	PRICE/€
8335947	39	

1253059

39 Piece Slotted/PH Screwdriver and Bit Set



F10 (3.0x75, 4.0x100, 5.5x125, 6.5x150 mm)
Slotted Screwdrivers
F14 (PH1x80, PH2x100 mm) Phillips Screwdrivers
F26/BT 1/4"x100 mm Bit Driver
CB/ST31 31 Piece Bit Set
6106 Voltage Tester (VDE Approved-Long)

CODE NO	PIECES	PRICE/€
1253059	39	

8335913

15pc T-Handle & Ballpoint L Hex Key Set

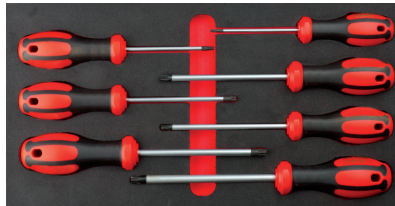


K10 (2.0, 2.5, 3.0, 4.0, 5.0, 6.0 mm) T-Handle Hexagon Keys
L7/900L (1.5, 2, 2.5, 3, 4, 5, 6, 8, 10 mm) Ball End Hexagon L Key Set

CODE NO	PIECES	PRICE/€
8335913	15	

1253060

7 Piece TORX Screwdriver Set

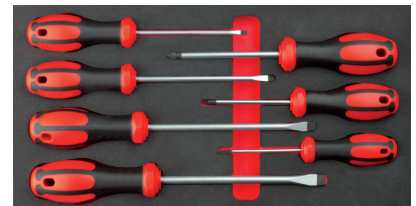


F18 (T10x80, T15x80, T20x100, T25x100, T27x115, T30x115, T40x130 mm) TORX Screwdrivers

CODE NO	PIECES	PRICE/€
F99-1253060	7	

1253057

7 Piece Slotted/PH Screwdriver Set



F10 (3.0x75, 4.0x100, 5.5x125, 6.5x150, 8.0x150 mm)
Slotted Screwdrivers
F14 (PH1x80, PH2x100 mm) Phillips Screwdrivers

CODE NO	PIECES	PRICE/€
1253057	7	

1253052

14 Piece T-Handle and L TORX Key Set

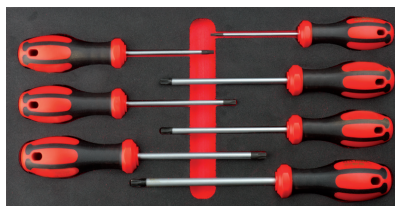


K12 (T10, T15, T20, T25, T30, T40) T-Handle TORX Keys
L7/700L (T9, T10, T15, T20, T25, T27, T30, T40) TORX L Key Set (Long Arm)

CODE NO	PIECES	PRICE/€
1253052	14	

1253061

7 Piece TORX Tamper Resistant Screwdriver Set

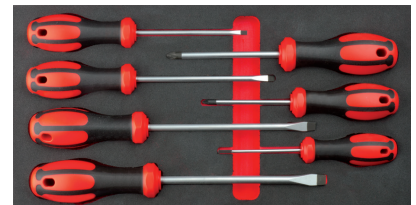


F19 (T10x80, T15x80, T20x100, T25x100, T27x115, T30x115, T40x130 mm) TORX Tamper Resistant Screwdrivers

CODE NO	PIECES	PRICE/€
1253061	7	

1253058

7 Piece Slotted/PZ Screwdriver Set



F10 (3.0x75, 4.0x100, 5.5x125, 6.5x150, 8.0x150 mm)
Slotted Screwdrivers
F17 (PZ1x80, PZ2x100 mm) Pozidriv Screwdrivers

CODE NO	PIECES	PRICE/€
1253058	7	

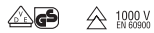
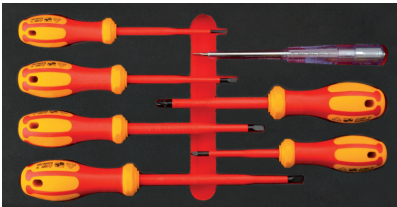
1253062
5 Piece Nut Driver Set



F20 (6, 7, 8, 10, 13 mm) Nut Drivers

KOD NO	PIECES	PRICE/€
1253062	5	

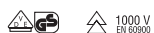
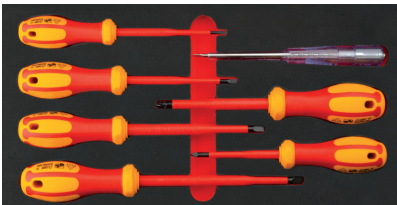
8335941
7pc Insulated Slotted/PH Screwdriver Set



- G01** (3.0×100, 4.0×100, 5.5×125, 6.5×150 mm) VDE 1000V Insulated Slotted Screwdrivers
- G02** (PH1×80, PH2×100 mm) VDE 1000V Insulated Phillips Screwdrivers
- 6106** Voltage Tester (VDE Approved-Long)

CODE NO	PIECES	PRICE/€
8335941	7	

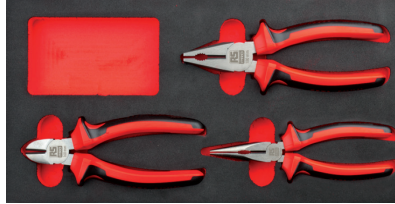
1253063
7 Piece Insulated Slotted/PZ Screwdriver Set (VDE Approved)



- G01** (3.0×100, 4.0×100, 5.5×125, 6.5×150 mm) VDE 1000V Insulated Slotted Screwdrivers
- G03** (PZ1×80, PZ2×100 mm) VDE 1000V Insulated Phillips Screwdrivers
- 6106** Voltage Tester (VDE Approved-Long)

CODE NO	PIECES	PRICE/€
1253063	7	

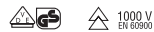
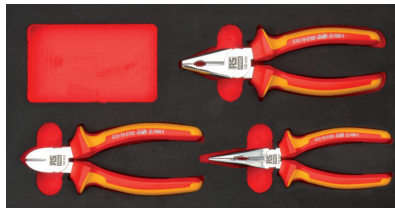
8335972
3pc Softgrip Pliers Set



- E01-41-0180** 180 mm Combination Pliers (Polished Finish/ DuoTech Handles)
- E06-41-0160** 160 mm Diagonal Cutter (Polished Finish/ DuoTech Handles)
- E15-41-0160** 160 mm Long Nose Pliers (Polished Finish/ DuoTech Handles)

CODE NO	PIECES	PRICE/€
8335972	3	

8335931
3pc VDE Insulated Pliers Set



- G10-18-0180** 180 mm VDE 1000V Insulated Combination Pliers
- G12-18-0160** 160 mm VDE 1000V Insulated Diagonal Cutter
- G15-18-0160** 160 mm VDE 1000V Insulated Long Nose Pliers

CODE NO	PIECES	PRICE/€
8335931	3	

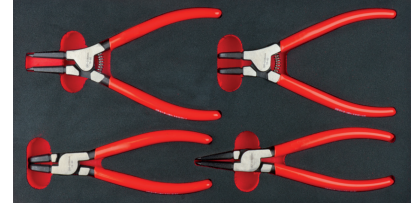
1253064
3 Piece Pliers and Adjustable Wrench Set



- E30-54-0250** 250 mm Water Pump Pliers (Box Joint/PVC Sleeves)
- E50-240-2** 240 mm Grip Pliers (Curved Jaws)
- B21-250B** 250 mm Adjustable Wrench (Phosphated-PVC Grip)

CODE NO	PIECES	PRICE/€
1253064	3	

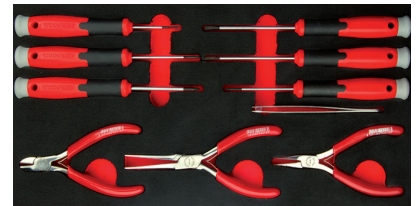
8335929
4pc Circlip Pliers Set



- E65-44-0180** 180 mm External Circlip Pliers (Straight-with Spring)
- E66-44-0180** 180 mm External Circlip Pliers (Bent-with Spring)
- E67-44-0180** 180 mm Internal Circlip Pliers (Straight-without Spring)
- E68-44-0180** 180 mm Internal Circlip Pliers (Bent-without Spring)

CODE NO	PIECES	PRICE/€
8335929	4	

8335919
10pc Precision Plier and Screwdriver Set



- H30S-110SB** Electronics Diagonal Cutter (Oval Head-Standard)
- H33S-120** Electronics Short Needle Nose Pliers (Toothed Gripping Surface)
- H35S-140** Electronics Long Needle Nose Pliers
- H01** (1.5 × 60, 2.0 × 60, 2.5 × 80, 3.0 × 80 mm) Electronics Slotted Screwdrivers
- H02** (PH00 × 60, PH0 × 60 mm) Electronics Phillips Screwdrivers
- H41-06-0115** Tweezer (Stainless Steel)

CODE NO	PIECES	PRICE/€
8335919	10	

8335944
6pc Measuring and Cutting Tool Set



- G40-48** (145 mm) Multi-Purpose Electrician's Shears
- J06-250** (250 mm) English Pattern Snip
- J45-07** Utility Knife (18 mm-Metal Body)
- P05-0519** (5 m x 19 mm) Compact Tape Measure
- P15-030** (30 cm) Stainless Steel Rule
- P54-20S** Feeler Gauge (20 Leaves - Metric)

CODE NO	PIECES	PRICE/€
8335944	6	

8335953

11pc Standard and Needle File Set



J55-108H Hand File - Bastard, 200 mm

J56-108H Half Round File - Bastard, 200 mm

J57-108H Round File - Bastard, 200 mm

J58-108H Square File - Bastard, 200 mm

J59-108H Three Square File - Bastard, 200 mm

J75-R06 Needle File Set:

Flat File (7.3x1.8x160 mm), Hand File (7.3x1.8x160 mm),
Three Square File (3.4x160 mm), Round File (Ø 4.0x160 mm),
Square File (5.0x160 mm), Half Round File (7.3x2.6x160 mm)

CODE NO	PIECES	PRICE / €
8335953	11	

8335963

5 Division EVA Module



This module is especially useful to complete 2 drawer modules to 3 modules, can be used for storage of fasteners such as screws, nuts, washers etc.

CODE NO	PIECES	PRICE / €
8335963	-	

8335966

2pc Climper and Stripper Set



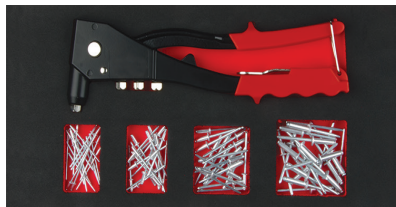
E25-AT1 1/4" Drive Reversible Ratchet

E69-YT1 Automatic Wire Stripper

CODE NO	PIECES	PRICE / €
8335966	2	25

8335969

5pc Hand Riveter Set



R01-260 Hand Riveter, 4 x 20 (Ø 2,4 - 3,2 - 4,0 - 4,8 mm) Rivets

CODE NO	PIECES	PRICE / €
8335969	5	

1253110

Ratchet Renewal Kit

(for ratchet in module 8335935)



CODE NO	PIECES
1253110	1

1253112

Ratchet Renewal Kit

(for ratchet in module 1253093)



CODE NO	PIECES
1253112	1

1253113

Ratchet Renewal Kit

(for ratchet in module 8335950)



CODE NO	PIECES
1253113	1

KITS FOR SECTORS

Mechanic

8335922	8335925	8335957	8335950	8335972	8335929	8335947	8335913

Maintenance

8335922	8335972	8335938	8335966	8335947	8335953	8335944	8335969

Electrician

8335925	8335935	8335966	8335931	8335941	8335919	8335944	8335913

General Purpose

8335922	8335935	8335950	8335972	8335938	8335947	8335953	8335913

1253046

RS PRO 240 Pieces
Tool Trolley Tool Kit

RS PLUS
Roller Cabinet



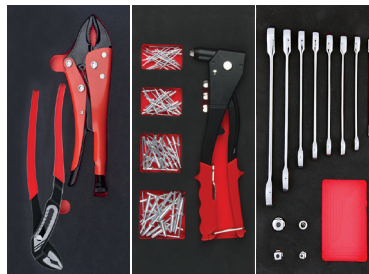
7 drawers

H: 975 mm W: 710 mm D: 450 mm

240 Piece

	CONTENT	PIECES
1	8335966 2pc Climper and Stripper Set	2
2	8335969 5pc Hand Riverter Set	5
3	8335925 12pc Ratcheting Combination Wrench Set	12
4	8335944 6pc Measuring and Cutting Tool Set	6
5	8335931 3pc VDE Insulated Pliers Set	3
6	8335929 4pc Circlip Pliers Set	4
7	8335922 16pc Combination Wrench Set	16
8	8335935 52pc 1/4" Drive Socket and Hex Key Set	52
9	8335950 23pc 1/2" Drive Socket Set with Ratchet	23
10	8335957 29pc 1/2" TORX/Hex/XZN Socket Bits Set	29
11	8335941 7pc Insulated Slotted/PH Screwdriver Set	7
12	8335953 11pc Standard and Needle File Set	11
13	8335947 39pc Slotted/PZ Screwdriver and Bit Set	39
14	8335972 3pc Softgrip Pliers Set	3
15	8335938 3pc Pliers and Adjustable Wrench Set	3
13	8335919 10pc Precision Plier and Screwdriver Set	10
14	8335913 15pc T-Handle & Ballpoint L Hex Key Set	15
15	8335963 5 Division EVA Module	-

1 8335966 2 8335969 3 8335925



4 8335929 5 8335931 6 8335944



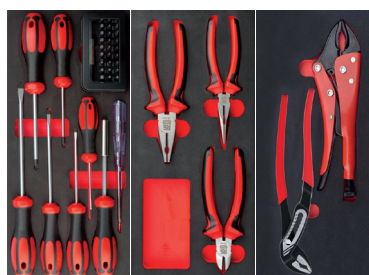
7 8335922 8 8335935 9 8335950



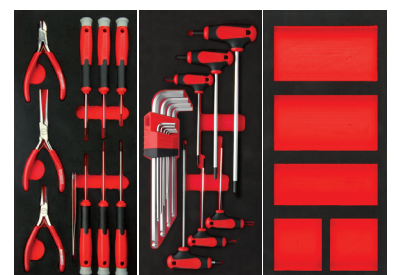
10 8335957 11 8335941 12 8335953



13 8335947 14 8335972 15 8335938



16 8335919 17 8335913 18 8335963



1253047

RS PRO 213 Pieces
Tool Trolley Tool Kit

RS PLUS
Roller Cabinet



6 drawers

H: 975 mm W: 710 mm D: 450 mm

213 Piece

CONTENT			PIECES
1	8335922	16 Piece Combination Wrench Set	16
2	8335935	52pc 1/4" Drive Socket and Hex Key Set	52
3	8335950	23pc 1/2" Drive Socket Set with Ratchet	23
4	8335957	29pc 1/2" TORX/Hex/XZN Socket Bits Set	29
5	8335941	7pc Insulated Slotted/PH Screwdriver Set	7
6	8335953	11pc Standard and Needle File Set	11
7	8335947	39pc Slotted/PZ Screwdriver and Bit Set	39
8	8335972	3pc Softgrip Pliers Set	3
9	8335938	2pc Pliers and Adjustable Wrench Set	2
10	8335919	10pc Precision Plier and Screwdriver Set	10
11	8335913	15pc T-Handle & Ballpoint L Hex Key Set	15
12	8335944	6pc Measuring and Cutting Tool Set	6



1253048

RS PRO 160 Pieces
Tool Trolley Tool Kit



HEAVY DUTY
Roller Cabinet

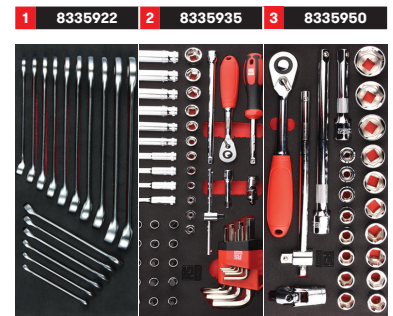


5 drawers

H: 825 mm W: 630 mm D: 450 mm

	CONTENT	PIECES
1	8335922 16pc Combination Wrench Set	16
2	8335935 52pc 1/4" Drive Socket and Hex Key Set	52
3	8335950 23pc 1/2" Drive Socket Set with Ratchet	23
4	8335947 39pc Slotted/PZ Screwdriver and Bit Set	39
5	8335972 3pc Softgrip Pliers Set	3
6	8335938 2pc Pliers and Adjustable Wrench Set	2
7	8335919 10pc Precision Plier and Screwdriver Set	10
8	8335913 15pc T-Handle & Ballpoint L Hex Key Set	15
9	8335963 5 Division EVA Module	Empty

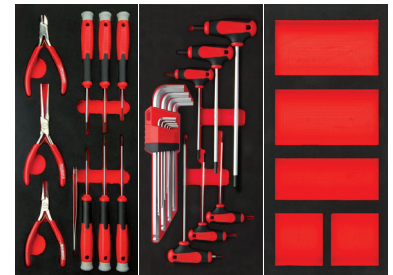
160 Piece



4 8335947 5 8335972 6 8335938



7 8335919 8 8335913 9 8335963





Discover more at
rspro.com