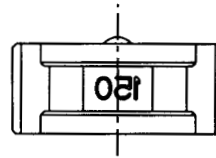
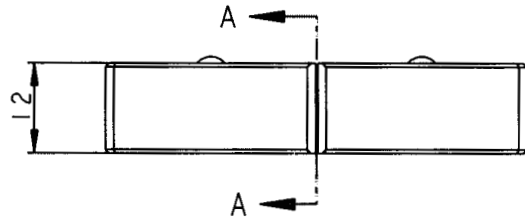
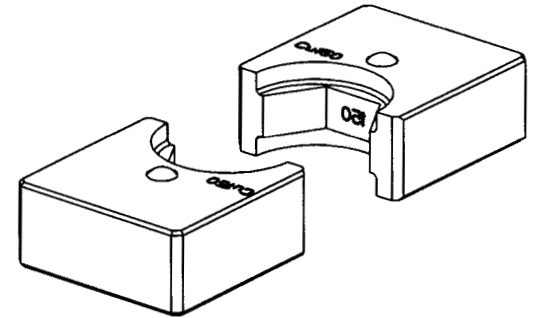
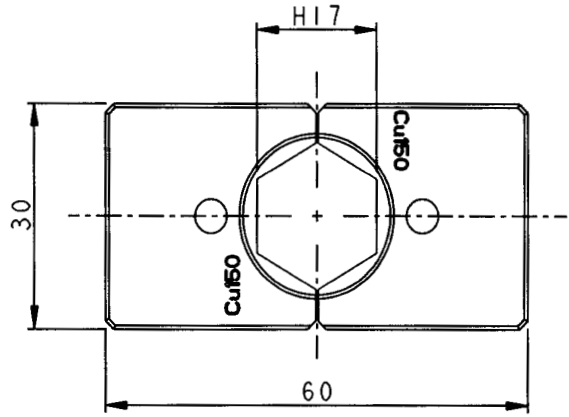
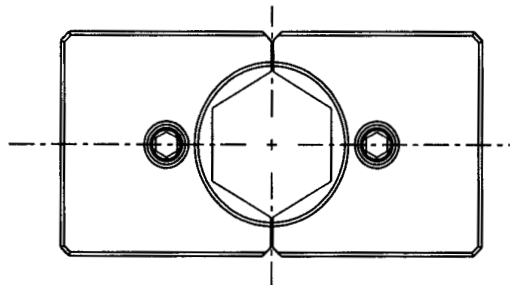


A B C D E F G H

| | | |
|-----|-------------|------|
| REV | DESCRIPTION | DATE |
|-----|-------------|------|



SECTION A-A



| | |
|--------------------------------------|---------------|
| Tolerance Unless Otherwise Specified | |
| 0 > | mm ± ANGLE |
| > | mm ± 0° REF ± |
| > | mm ± REF ± |
| > | mm ± REF ± |

| | | | | | |
|----------|--|----------|------------|----------|-----------|
| NAME | HEXAGONAL DIES FOR THX-185 HYDRAULIC CRIMPING TOOL | | | UNIT | mm |
| PART NO. | DIE-THX185(H)-150 | MATERIAL | SCM415 | APPROVED | |
| NUMBER | KS-UD180-C | SCALE | SHEET PAGE | CHECKED | 林昌宜 |
| DATE | 2007/01/26 | 1:1 | 1-0 | 10F1 | DRAWN 林昌宜 |