

Datasheet

Aluminium Enclosure, IP65, 96 x 160 x 185mm

RS Stock number 229-0356

DIE-CAST ALUMINIUM ENCLOSURES

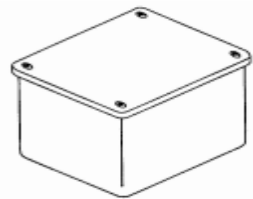
Description

Series ELEG, IP-65

Material : Die-cast aluminium alloy UNI 5079
 Wall thickness greater than 3 mm
 Earthing point screws in base and cover
 Square profile closed cell neoprene seal, operating temperature -40° + 100°C
 Self tapping guide channels for internal component mounting (DIN rail type EGO)
 Galvanised lid screws (stainless steel tamper-proof available)
 Enclosure fixing by internal screws or external brackets (included)
 Internal fixing screw sealing caps included

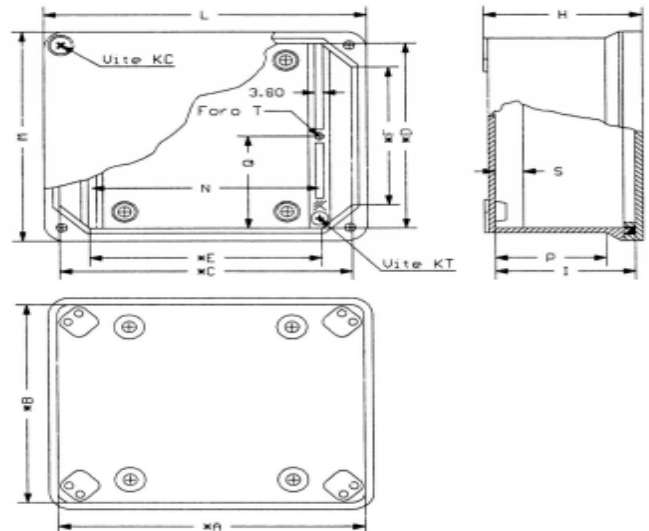
Dimensions (mm)

A*	B*	H	C*	D*	E*	F*
102	102	71	89.5	89.5	63	63
135	110	71	127	102	91	66
160	135	81	153	128	116	91
185	160	96	177	152	140	115
245	210	102	238	203	201	166
295	255	130	285	245	263	166



*** Maximum useful size**

I	L	M	N	P	Q	S	T dia	KC	KT
65	106	106	66	56.5	45	10	4	4 x M5	1 x M5
64	142	117	98	47	51	13	4	4 x M5	1 x M5
74	167	142	124	58	69	13	4	4 x M5	2 x M5
89	192	167	146	72	76	13	4	4 x M5	2 x M5
94	254	219	208	77	101	13	4	4 x M5	2 x M5
117	302	262	252	104	122	13	4	6 x M5	2 x M5



IE-CAST ALUMINIUM ENCLOSURES

Description

Series ELEG, IP-65
Fixing dimensions

Dimensions (mm)

V	Z	Type	X1	Y1	X2	Y2
32	72	A	82	111	82	111
65	80	A	114	119	89	144
88	104	A + B	140	145	115	170
114.5	129.5	A + B	164	169	139	195
172	178	A + B	224	219	189	254
230	215	A + B	272	262	232	302

