



ENGLISH

Instruction manual

Tubular heater

RS article number

45W: 135-8426

80W: 135-8427

135W: 135-8428

240W: 135-8429

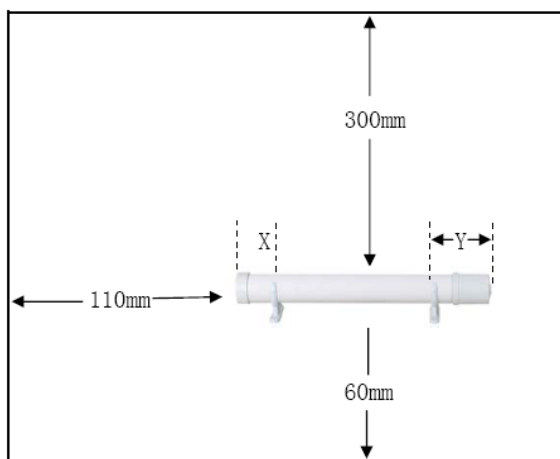


1. The tube heater is not suitable for use outdoors, in bathrooms or in other wet or damp environments.
2. Please placed at a safe distance from flammable objects such as furniture, curtains and similar.
3. **WARNING** – In order to avoid overheating, do not cover the frost heater.
4. The heater must not be located immediately below a socket-outlet.
5. The heater must not be placed in rooms where flammable liquids or gases are used or stored nearby.
6. If an extension cord is used, it must be as short as possible and always be fully extended.
7. Must not connect other appliances to the same mains socket of the heater.
8. This appliance is not intended for use by persons (including children) with reduced physical, sensory or mental capabilities, or lack of experience and knowledge, unless they have been given supervision or instruction concerning use of the appliance by a person responsible for their safety.
9. Children should be supervised to ensure that they do not play with the appliance.
10. This appliance can be used by children aged from 8 years and above and persons with reduced physical, sensory or mental capabilities or lack of experience and knowledge if they have been given supervision or instruction concerning use of the appliance in a safe way and understand the hazards involved. Children shall not play with the appliance. Cleaning and user maintenance shall not be made by children without supervision.
11. **CAUTION**-some parts of this product can become very hot and cause burns. Particular attention has to be given where children and vulnerable people are present.

Technical specification:
Power supply: 220-240V, 50Hz
Class I
IP55

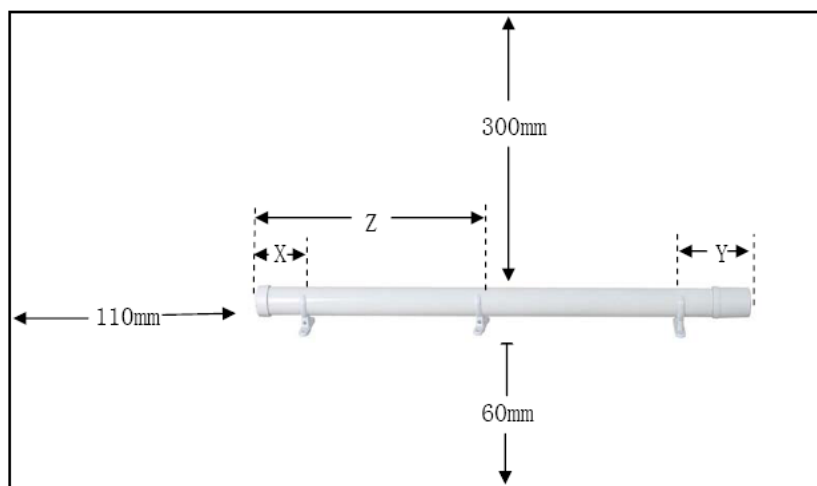
	RS 1358426	RS 1358427	RS 1358428	RS1358429
Power rate	45W	80W	135W	240W

Installation:



RS model 135-8426, 135-8427, 135-8428

X=40mm, Y=100mm



RS model 135-8429

X=40mm, Y=100mm

Z=600mm

It is supplied pre-fitted with 1 meter of 3 Core Mains Cable without a Moulded Plug ready to be installed into a fused spur.



2/08/2017

