

FEATURES

- Rated currents from 36A
- General purpose four-wire filtering
- Voltage rating 300 and 520VAC for world wide acceptance

RS PRO Power Line Filters

RS Stock No.: 2378764, 2378766



RS Professionally Approved Products bring to you professional quality parts across all product categories. Our product range has been tested by engineers and provides a comparable quality to the leading brands without paying a premium price.

Product Description

- Mainframe computer systems
- High power office equipment
 - UPS/SMPS
- Automation equipment

General Specifications

Protection against interference of voltage.
 Used as a main input filter, YX91 filters can keep the system reliable by restrain the conducted interference.
 Customized products according to customer's requirements

Mechanical Specifications

size 150X105X60mm (L X W X H)
 weight 2.12kgs

Electrical Specifications

Rated Voltage Max.	300/520VAC,50/60Hz
Operating frequency	50/60Hz
Rated currents	36A@50°C
Hipot Rating	L-N: 1600VDC
	L/N-G: 4000VDC

Protection Category

according to IEC 60529 IP40

Classification

eCl@ss (Version)
UNSPSC (Version)

Approvals

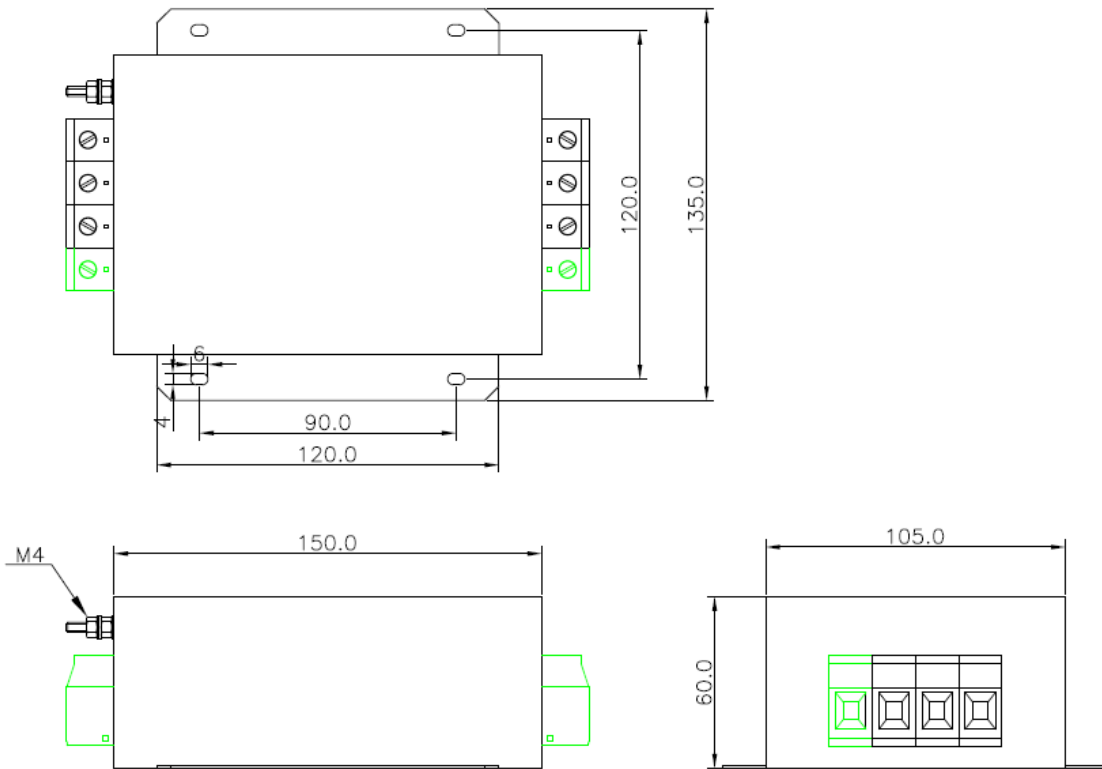
Declarations	CUL;TUV;CE
Hazardous Area Certification	
Standards Met	UL1283, CSA C22.2 No.8; IEC/EN 60939,;

Similar Products

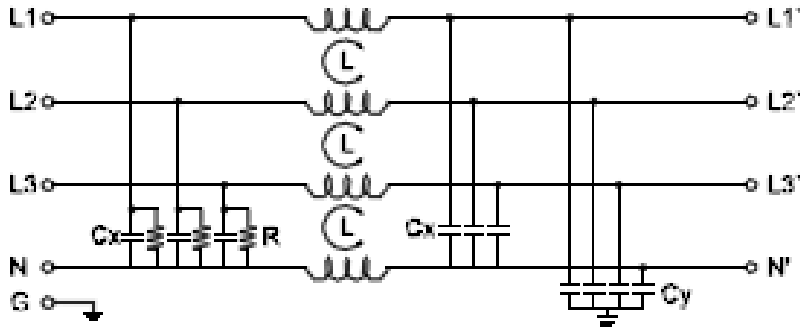
Stock No.	Brand	Product Name	Attribute 1	Attribute 2	Attribute 3
2378764, 2378766	2629928 / 2160485				

Connection Diagrams / Assembly Diagrams / Illustrations / Accessories

Physical Dimensions:



Electrical Schematic:



Insertion loss table(In 50ohm system according IEC/CISPR No.17)

———— Common mode - - - - - Differential mode

36A

