

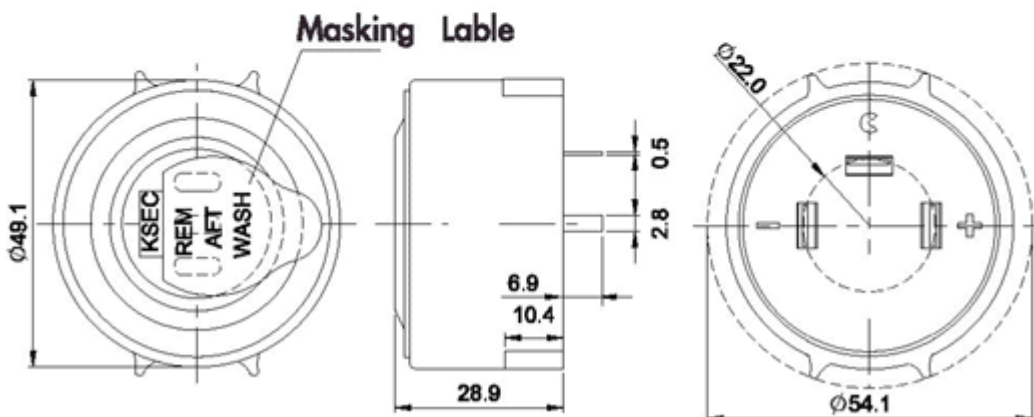
Shape

KPEG500



Model Number	KPEG500
Rated Frequency (Hz)	2,500 ± 500
Operating Voltage Range (VDC)	5 ~ 13
Current Consumption (mA)	Max. 60@12VDC
Sound Pressure Level (dB)	Min. 104dB@30cm / 12VDC(85dB / 3 meters)
Tone	Continuous
Operating Temperature (°C)	-30 ~ +85
Storage Temperature (°C)	-40 ~ +95
Weight (Gram)	27.5
Material	ABS UL-94 1/16" HB High Heat (Black)

Dimension



The specification is for reference only. Please confirm the detailed approval sheets before ordering with us.
Kingstate reserves the right to revise or withdraw specifications without advanced notice.