

Pluggable Terminal Blocks

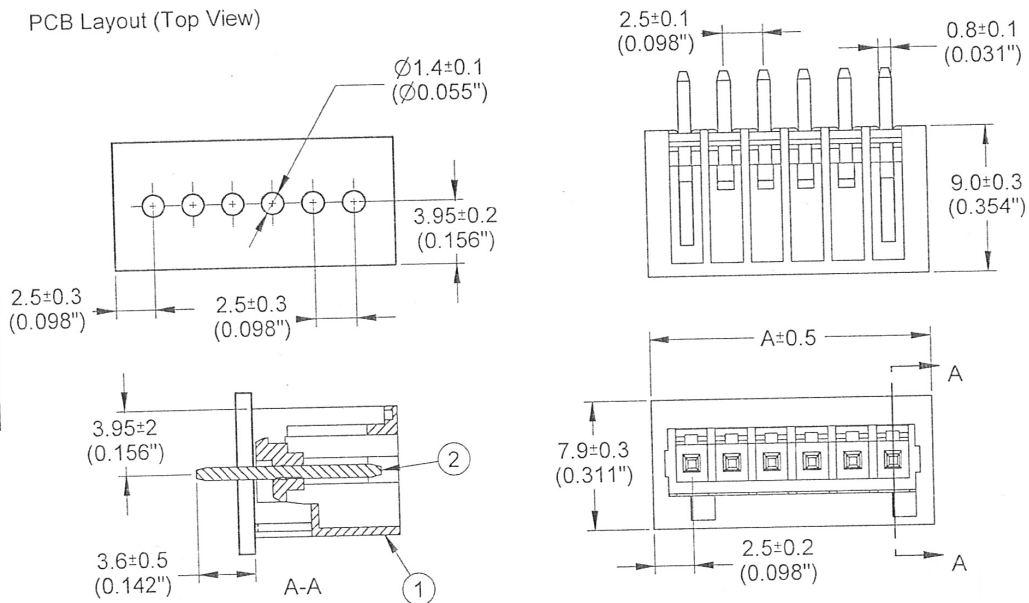
2.5mm, Vertical Header

multicomp PRO

Specifications

Current Rating	: 4Amp AC150V
Insulation withstands volt	: AC2000V min
Insulation resistance	: >2000MΩ DC500V
Operating Temperature	: -40°C to +105°C
PCB Hole diameter	: φ1.4mm
Insulating Body Material	: Polyamide 66(UL94V-0), Grey
Solder Pin	: Phosphor Bronze, Tin Plated

**RoHS
Compliant**



Dimensions : Millimetres

Part Number Table

Description	Poles	A(mm)	A(inch)	Part Number
Pluggable Terminal Block, Vertical Header, 2.5mm, 4A, 150V AC	2	7.50	0.295	MP008960
	3	10.00	0.394	MP008961
	4	12.50	0.492	MP008962
	6	17.50	0.689	MP008963
	8	22.50	0.886	MP008964
	10	27.50	1.083	MP008965
	12	32.50	1.280	MP008966

Important Notice : This data sheet and its contents (the "Information") belong to the members of the AVNET group of companies (the "Group") or are licensed to it. No licence is granted for the use of it other than for information purposes in connection with the products to which it relates. No licence of any intellectual property rights is granted. The Information is subject to change without notice and replaces all data sheets previously supplied. The Information supplied is believed to be accurate but the Group assumes no responsibility for its accuracy or completeness, any error in or omission from it or for any use made of it. Users of this data sheet should check for themselves the Information and the suitability of the products for their purpose and not make any assumptions based on information included or omitted. Liability for loss or damage resulting from any reliance on the Information or use of it (including liability resulting from negligence or where the Group was aware of the possibility of such loss or damage arising) is excluded. This will not operate to limit or restrict the Group's liability for death or personal injury resulting from its negligence. Multicomp Pro is the registered trademark of Premier Farnell Limited 2019.

Newark.com/multicomp-pro
Farnell.com/multicomp-pro
sg.element14.com/b/multicomp-pro

multicomp PRO