



EN

## Datasheet

# RS PRO VINYL-INSULATED (MOLDED EASY ENTRY) DIN RING TERMINALS

Stock number: 178-7274

MAXIMUM ELECTRIC CURRENT:

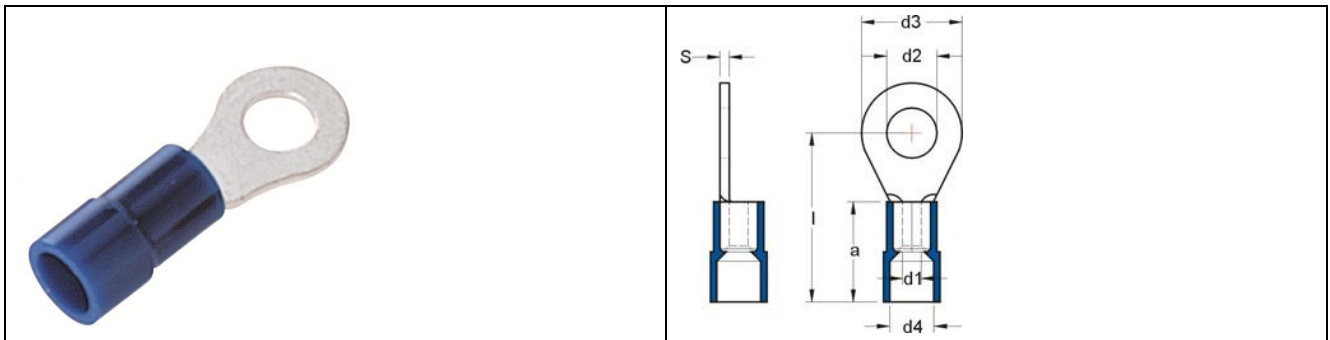
A.W.G.	16	14
AMP.	18	30

MAXIMUM ELECTRICAL RATING: 105° C 600 VOLTS MAX.

INSULATION MATERIAL: VINYL (PVC)

TERMINAL MATERIAL: COPPER

INSULATION COLOR: BLUE



WIRE RANGE A.W.G. mm <sup>2</sup>	ITEM NO.	BUTTED SEAM	STUD SIZE		DIMENSION (mm)					
			d2	D3	I	d1	D4	A	S	
16-14 A.W.G. 1.5-2.5 mm <sup>2</sup>	178-7274		1/4	6.5	11	22	2.3	4.5	11	0.8