

USB Connector, Adapter, Cable Assembly and Dust Caps

multicomp PRO

MP002425 USB Type A Sealed Connector

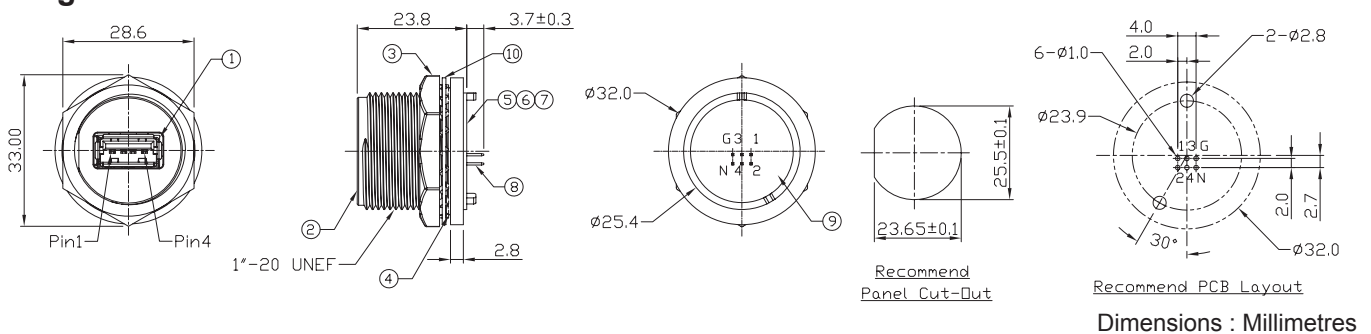
**RoHS
Compliant**



Specifications

IP Rating : IP68
 Recommend Panel Thickness : 0.8mm to 8mm
 Recommend Torque : 19 to 20Kgf-cm

Diagram



No.	Part Name	Material/Finish	Qty.
1	USB-A Receptacle	Housing: Thermoplastic; Colour: Black	1
		Contacts: Copper Alloy, Finish: Au Plated	
		Shell: Copper Alloy, Finish: Ni Plated	
2	Housing	Zn Alloy; Finish: Ni Plated	
3	Hex Nut	Zn Alloy; Finish: Ni Plated	
4	O-Ring	Silicone; Colour: Red	
5	Holder	Thermoplastic; Colour: Black	
6	EMI Shielded Plate	Zn Alloy; Finish: Ni Plated	
7	PCB	FR-4	
8	Pin Header	Housing: Thermoplastic; Colour: Black	
		Contacts: Copper Alloy; Finish: Au Plated	
9	Glue	Epoxy; Colour: Black	
10	Metal Washer	Stainless Steel	

Newark.com/multicomp-pro
 Farnell.com/multicomp-pro
 Element14.com/multicomp-pro

multicomp PRO

USB Connector, Adapter, Cable Assembly and Dust Caps

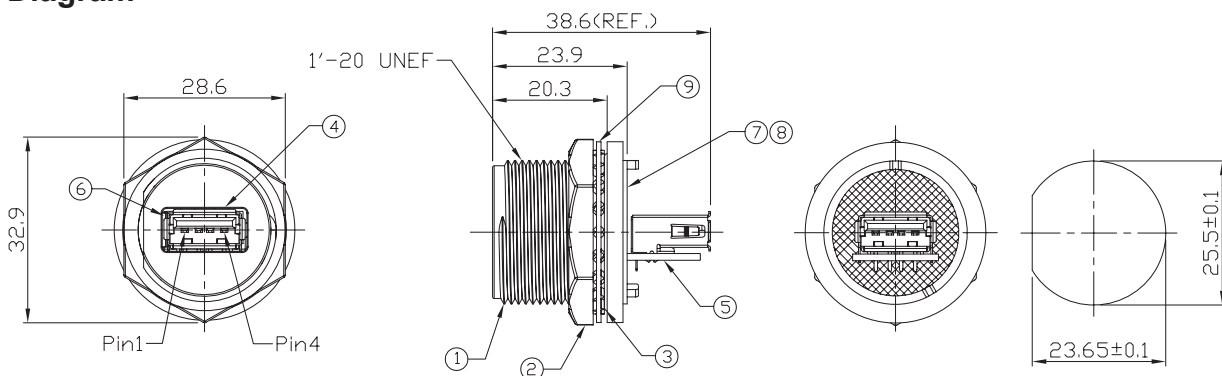
MP002426 USB Adapter, C4 Panel Mount



Specifications

IP Rating : IP68
 Recommend Panel Thickness : 0.8mm to 8mm
 Recommend Torque : 19 to 20Kgf-cm

Diagram



Recommend Panel Cut-Out
 Dimensions : Millimetres

No.	Part Name	Material/Finish	Qty.
1	Housing	Zn Alloy; Finish: Ni Plated	1
2	Hex Nut	Zn Alloy; Finish: Ni Plated	
3	O-Ring	Silicone; Colour: Red	
4	USB-A Receptacle	Housing: Thermoplastic; Colour: Black	2
		Contacts: Copper Alloy, Finish: Au Plated	
		Shell: Copper Alloy, Finish: Ni Plated	
5	PCB	FR-4	1
6	EMI Shielded Plate	Copper Alloy; Finish: Ni Plated	
7	Holder	Thermoplastic; Colour: Black	
8	Glue	Epoxy; Colour: Black	
9	Metal Washer	Stainless Steel	

USB Connector, Adapter, Cable Assembly and Dust Caps

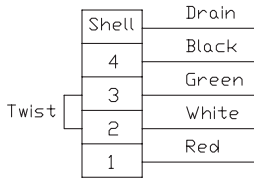
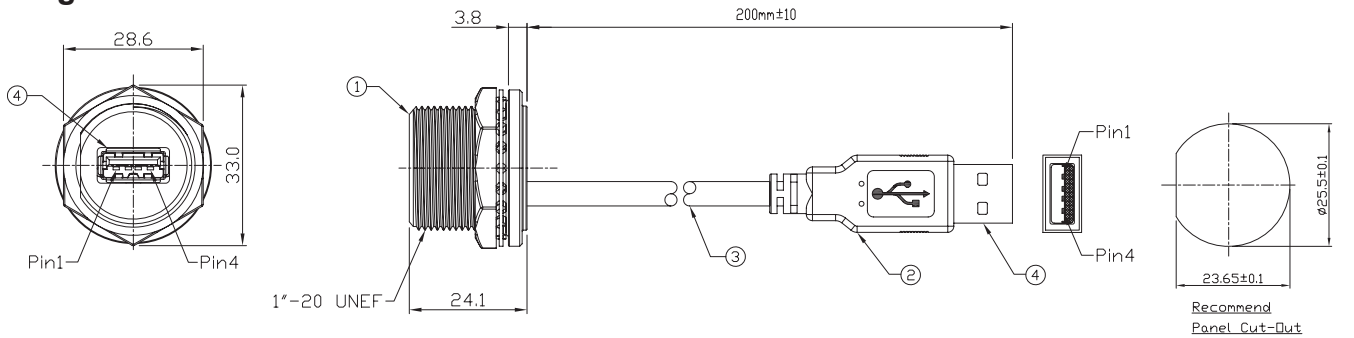
MP002427 USB-A Metal C4 Panel Jack Screw with Cable and USB-A Plug



Specifications

IP Rating : IP68
 Recommend Panel Thickness : 0.8mm to 8mm
 Recommend Torque : 19 to 20Kgf-cm

Diagram



Wiring Diagram

Dimensions : Millimetres

No.	Part Name	Material/Finish	Qty.
1	USB-A Metal C4 Panel Jack Screw with Cable	Connector	1
2	Over Mold	PVC; Colour: Black	
3	USB Cable	UL2725 1P×28AWG+2C×24AWG+Al/My+D+B OD=5±0.2, Colour: Black	
4	USB-A Receptacle	Shell: Copper Alloy, Finish: Ni Plated Contacts: Copper Alloy, Finish: Au Plated Housing: Thermoplastic, Colour: Black	

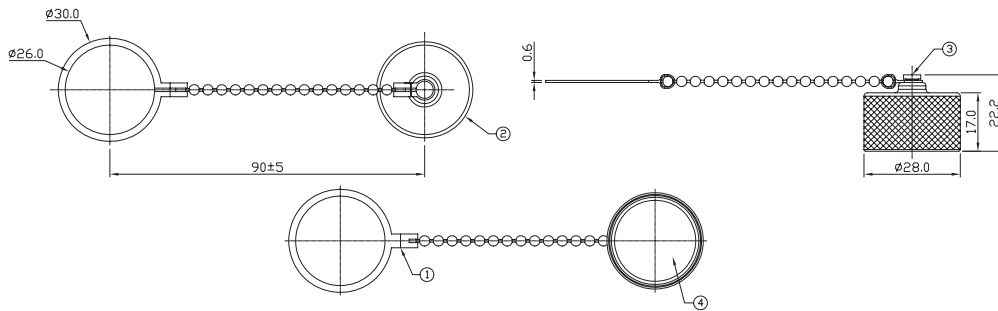
Metal Dust Cap for C4 Screw Panel Mount Connector

MP002442



Specification

IP Rating : IP68



No.	Part Name	Material / Finish	Qty.
1	Metal Chain	Stainless	1
2	Metal Screw Cap.	Copper Alloy Finish: Ni Plated	1
3	Metal Rivet	Copper Alloy Finish: Ni Plated	1
4	Rubber Pad	Silicone Colour: Black	1

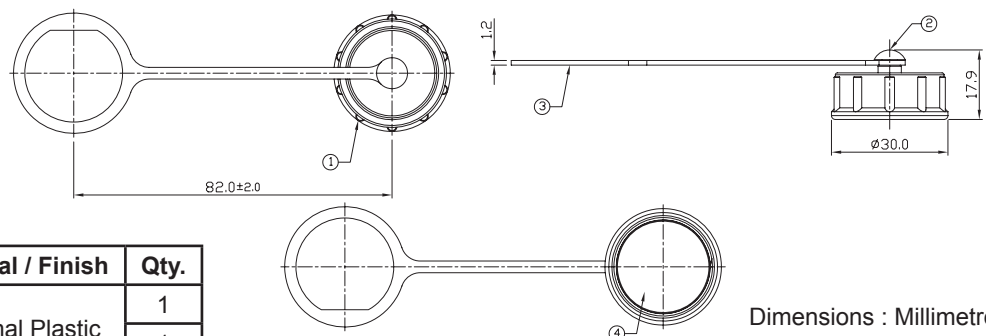
Plastic cap for C4 size with screw mating

MP002439



Specification

IP Rating : IP67



No.	Part Name	Material / Finish	Qty.
1	Screw Cap	Thermal Plastic Colour: Black	1
2	Plastic Rivet		1
3	Plastic Chain		1
4	Rubber Pad	Silicone Colour: Black	1

Dimensions : Millimetres

Dimensions : Millimetres

Part Number Table

Description	Part Number
USB Type A Sealed Connector, Metal, C4 Panel Mount, IP68	MP002425
USB Adapter, USB Type A Jack to USB Type A Jack, Metal, C4 Panel Mount, IP68	MP002426
USB Cable Assembly, USB Type A Jack C4 Panel to USB Type A Plug, Black, 200mm, IP68	MP002427
Dust Cap with Chain, Metal, C4 Screw Panel Mount Connector, IP68	MP002442
Dust Cap with Chain, Plastic, C4 Screw Panel Mount Connector, IP67	MP002439

Important Notice : This data sheet and its contents (the "Information") belong to the members of the AVNET group of companies (the "Group") or are licensed to it. No licence is granted for the use of it other than for information purposes in connection with the products to which it relates. No licence of any intellectual property rights is granted. The Information is subject to change without notice and replaces all data sheets previously supplied. The Information supplied is believed to be accurate but the Group assumes no responsibility for its accuracy or completeness, any error in or omission from it or for any use made of it. Users of this data sheet should check for themselves the Information and the suitability of the products for their purpose and not make any assumptions based on information included or omitted. Liability for loss or damage resulting from any reliance on the Information or use of it (including liability resulting from negligence or where the Group was aware of the possibility of such loss or damage arising) is excluded. This will not operate to limit or restrict the Group's liability for death or personal injury resulting from its negligence. Multicomp Pro is the registered trademark of Premier Farnell Limited 2019.