

1

2

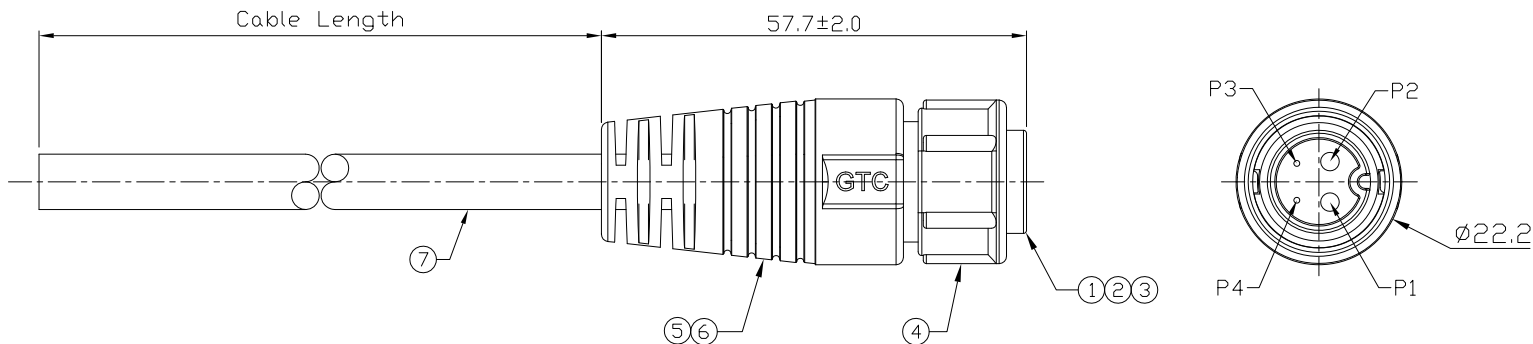
3

4

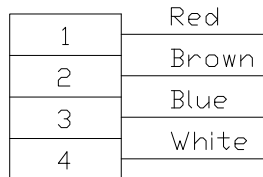
Notes: (Unless Otherwise Specified)

- 1. Waterproof Rate: IP67.
- 2. RoHS Compliant.

REV	ECN#	DESCRIPTION OF REVISION	DRAW BY DATE	CHECK BY DATE	APPROVE BY DATE
01			Lucas 01/02/13	Ray 01/02/13	Ray 01/02/13



7	Cable	UL2464 2C*14AWG+2C*26AWG+Al/My, DD=7.5mm Color: Black	1
6	Over Mold	PVC Color: Black	1
5	Inner Mold	Thermoplastic Color: White or Black	1
4	Lock Nut	Thermoplastic Color: Black	1
3	O-Ring	Silicone Color: Red	1
2	Contacts	Copper Alloy Finish: Au Plated	4
1	Housing	Thermoplastic Color: Black	1
Item	Part Name	Material / Finish	Q'ty



Wiring Diagram

Cable Length	2000 mm	±100
--------------	---------	------

TITLE						Mating Part No.			REV.
Hybrid C3 15A+2A 2P+2P Cable End Male Lock						179-7938			01
	B	1:1	Lucas 01/02/13	Ray 01/02/13	Ray 01/02/13	XX ± 0.5 X.XX ± 0.2	XXX ± 0.05 ANGLES ± 1°	mm	1/1
THIRD ANGLE PROJECTION	SIZE	SCALE	DRAW / DATE	CHECK / DATE	APPROVE / DATE	TOLERANCES		UNIT	SHEET

Part No.  
**179-7939**

1

2

3

4