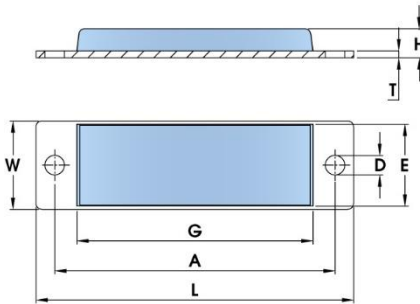




**ENGLISH**

**RS PRO DM Rectangular Buffers**



Rectangular buffer designed as a hard rubber stop/damper and are used for protecting equipment from impact forces

These mounts provide progressive stiffness under increasing loads

- H = Height
- L = Length
- W = Width

RS Code	Item Code	Description	Metal	L (mm)	G (mm)	W (mm)	H (mm)	A (mm)	D (mm)	Max Load (kN)
1712661	DM8419M6-2	Rect. Buffer 84x32x19mm M6 holes 60 ShA NR	Mild Steel	84	46	32	19	69	6.7	0.78
1712662	DM27325M16-2	Rect. Buffer 273x76x25mm M16 holes 60 ShA NR	Mild Steel	273	203	76	25	241	16.7	180
1712663	DM15637M12-2	Rect. Buffer 156x64x37mm M14 holes 60 ShA NR	Mild Steel	156	89	64	37	127	13.5	25