



## General Specifications

Nominal Diameter : 10 inch  
Rated Impedance : 8Ω  
Operating Bandwidth : 63Hz to 3kHz (-3dB)  
Power Handling Capacity : 200 Watts  
Sensitivity (1W/M) : 93dB ±3dB  
Voice Coil Diameter : 2 inch

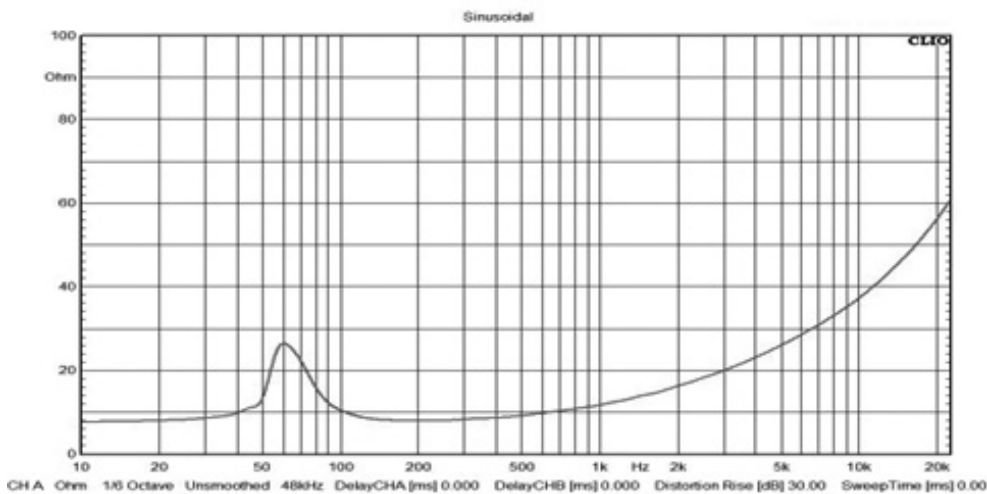
## Physical Information

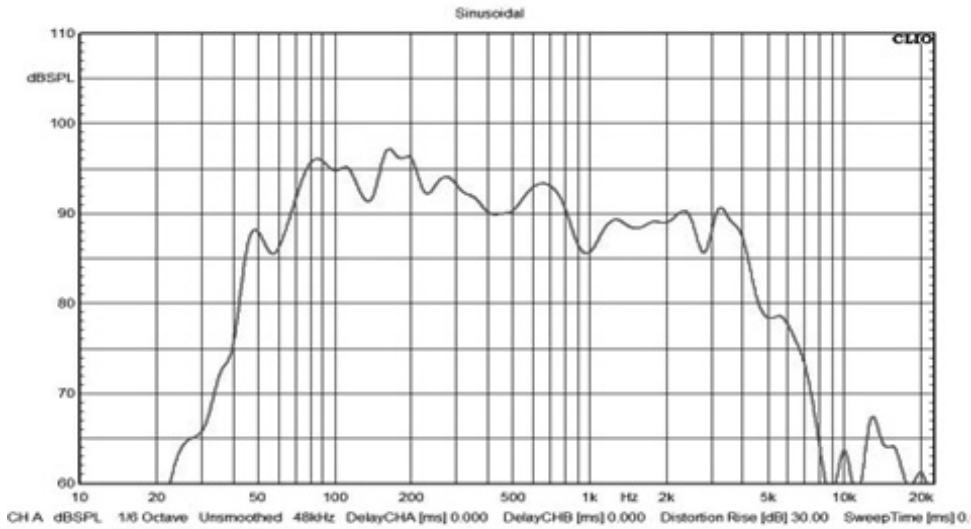
Basket : Aluminium die-cast basket  
Magnet Type : 40 OZ  
Cone Material : Paper  
Surround : Cloth  
Dust Cap : PP  
Damper : Cloth

## THIELE-Small Parameters

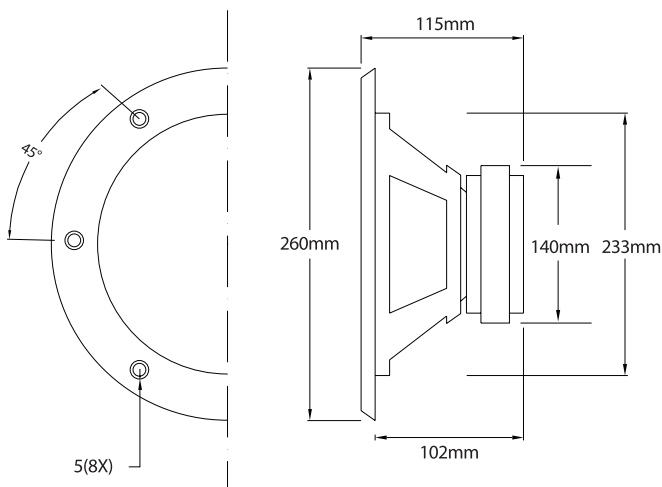
Resonance Frequency	Fs:	60.4Hz
DC Resistance	Re:	6.8Ω
Mechanical Q Factor	Qms:	2.6687
Electrical Q Factor	Qes:	0.8036
Total Q Factor	Qts:	0.6176
Equivalent Cas air load	Vas:	34.5 liters
Surface Area of Cone	Sd:	0.0346 m <sup>2</sup>
Efficiency Bandwidth Product	EBP	75
Voice Coil Over Hang	X-max	5.5mm

## Curves





## Diagram



## Part Number Table

Description	Part Number
Die Cast Woofer with Paper Cone and Cloth Surround, 10", 100W at 8Ω	55-2961

Dimensions : Millimetres

**Important Notice :** This data sheet and its contents (the "Information") belong to the members of the AVNET group of companies (the "Group") or are licensed to it. No licence is granted for the use of it other than for information purposes in connection with the products to which it relates. No licence of any intellectual property rights is granted. The Information is subject to change without notice and replaces all data sheets previously supplied. The Information supplied is believed to be accurate but the Group assumes no responsibility for its accuracy or completeness, any error in or omission from it or for any use made of it. Users of this data sheet should check for themselves the Information and the suitability of the products for their purpose and not make any assumptions based on information included or omitted. Liability for loss or damage resulting from any reliance on the Information or use of it (including liability resulting from negligence or where the Group was aware of the possibility of such loss or damage arising) is excluded. This will not operate to limit or restrict the Group's liability for death or personal injury resulting from its negligence. Multicomp Pro is the registered trademark of Premier Farnell Limited 2019.