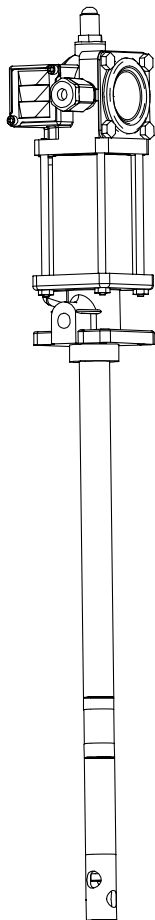


Air operated chassis pump

Model 83513, series "J"



Date of issue	March 2015
Form number	403513C
Section	A5
Page	56C

⚠ DANGER

Read manual prior to installation or use of this product. Keep manual nearby for future reference. Failure to follow instructions and safety precautions may result in death or serious injury.

Description

Model 83513 is an air operated chassis pump designed to pump low and medium viscosity materials (grease) from drums and pails.

Owner/operator responsibility

It is the owners/operators responsibility to properly use and maintain this equipment.

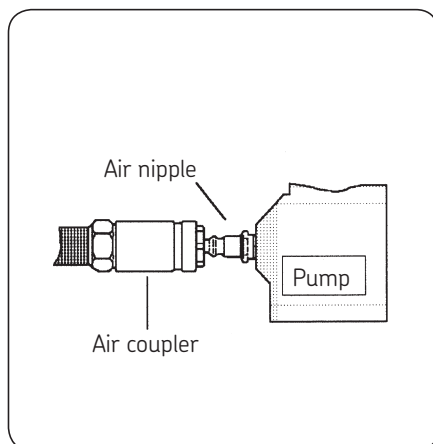
The instructions and warnings contained in this manual shall be read and understood by the owner/operator prior to operating this equipment.

It is the owners/operators responsibility to maintain the legibility of all warning and instruction labels.

The owner/operator shall retain this manual for future reference to important warnings, operating and maintenance instructions.

Safety information

Read and understand all warnings, cautions and instruction before operating this equipment. Extreme caution should be used when operating this equipment as personal injury and/ or property damage can result from equipment misuse. Adequate personal protection is recommended to prevent splashing of material on the skin or in the eyes. ALWAYS disconnect air coupler from pump when the pump is not being used.



Specifications

Airmotor effective diameter	2.5 in. (63,5 mm)
Air inlet	1/4 in. NPTF
Material outlet	1/4 in. NPTF
Ratio	50:1
Delivery output	80 in. ³ /minute (1 311 cm ³)
Delivery	0.35 in. ³ /cycle (5,7 cm ³ /cycle)
Minimum air pressure	30 psi (2 bar)
Maximum air pressure	150 psi (10 bar)
Maximum output pressure	7,500 psi (517 bar)
Noise level at 120 psi (8 bar)	<85 dBA

⚠ WARNING

Failure to heed the following warnings including misuse, over pressurizing, modifying parts, using incompatible chemicals and fluids, or using worn or damaged parts, may result in equipment damage and/or serious personal injury, fire, explosion, or property damage.

- Do not exceed the stated maximum working pressure of the pump, or of the lowest rated component in your system.
- Do not alter or modify any part of this equipment.
- Do not operate this equipment with combustible gas.
- Do not attempt to repair or disassemble the equipment while the system is pressurized.
- Make sure all grease connections are securely tightened before using this equipment.
- Always read and follow the grease manufacturers recommendations regarding grease compatibility, and the use of protective clothing and equipment.
- Check all equipment regularly and repair or replace worn or damaged parts immediately.
- Never point the dispensing valve at any part of the body or at another person.
- Never try to stop or deflect material from dispensing valve or leading connection or component with your hand or body.
- Always check equipment for proper operation before each use, making sure safety devices are in place and operating properly.
- Always follow the pressure relief procedure after shutting off the pump, when checking or servicing any part of the system, and when installing, cleaning or changing any part of the system.

Installation

Typical drum and pail hookups are described as follows only as a guide in selecting and installing a system. Contact a Lincoln factory representative for assistance in designing a system for a specific requirement.

WARNING

This pump can develop 7,500 psi (517 bar) working pressure at 150 psi (10 bar) maximum incoming air pressure. Be sure that all system equipment and accessories are rated to withstand the maximum working pressure of this pump.

Do not exceed the maximum working pressure of the lowest rated component in the system.

Notice

Accessory item whip hoses for dispensing valve are rated 4,500 psi (31 bar). **Do not** exceed 90 psi (6 bar) air pressure to pump when using whip hoses.

Typical system hookup

Determine the drum or pail system for your requirement.

Obtain an air line filter/regulator/lubricator to use with the inlet air supply and the correct sized air and grease lines hoses with any required reducers, connectors and accessories.

Clean/flush the supply lines, hoses, reducers, connectors and accessories with mineral spirits or oil based solvent to purge any contaminants such as dirt, moisture, or metal shavings that could damage the pump or system components. Blow dry with air.

CAUTION

The pump was tested in lightweight oil which was left in to protect the pump from corrosion. Flushing the pump before connecting it to the system might be desired to prevent possible contamination of the grease you are pumping.

WARNING

To reduce the risk of injury from splashing or static sparking when flushing the pump with solvents, always hold a metal part of the dispensing valve firmly to the side of a grounded metal pail and operate pump at lowest possible fluid pressure.

Clean/flush the pump with mineral spirits or oil based solvents if necessary.

Assemble the cleaned pump and supply line together with any required accessory.

Mount the assembled pump to the drum or pail.

Connect the material output line/hose to the pump.

Connect the air regulator to the pump.

Make sure all connections are securely tightened.

Accessories

- Filter/regulator/lubricator and gauge.
- Eyebolt kit.
- Follower plate - 120 lb., 400 lbs.
- Drum cover - 120 lb., 400 lbs.
- Drum cover with tie rods.
- 1709 hoist.

Pressure relief procedure

Always perform this procedure when the pump is shut off and before checking, servicing, installing, cleaning or repairing any part of this system.

Perform the following procedure:

- 1 Disconnect the air supply to the pump.
- 2 Point the dispensing valve away from yourself and others.
- 3 Open the dispensing valve into an appropriate container until the pressure is relieved.

If the above procedure does not relieve the pressure, the dispensing valve or hose may be restricted. To relieve the pressure, very slowly loosen the hose end coupling. Then loosen completely and clear the dispensing valve and/or hose.

Operation

Inspection before using pump

Prior to operation or maintenance a visual inspection shall be made. Check pump system for leaks, worn or missing parts.

Any pump that appears to be damaged in any way, is badly worn or operates abnormally shall be removed from use until repairs are made. Contact a factory authorized service center for repairs.

If overpressurizing of the equipment is believed to have occurred, contact a factory authorized service center for inspection of the pump.

Annual inspection by a factory authorized service center is recommended.

⚠ WARNING

To prevent personal injury, perform **pressure relief procedure** before and after operating the pump.

To start pump, turn on the main air supply. Slowly open the air regulator. Regulate air pressure from 20 to 40 psi (1,3 to 2,75 bar) and throttle to prime pump. Open the dispensing valve to allow air to be purged from the system. Allow pump to cycle until grease without air pockets flows from dispensing valve, then close dispensing valve.

After pump is primed, adjust air pressure to achieve a smooth flow of grease from the dispensing valve. Do not allow pump to operate when out of material. Pump will accelerate quickly and run too fast, resulting in costly damage to the pump.

If the pump accelerates quickly or is running too fast, stop it immediately. Check the grease supply and refill it if necessary. Prime the pump to remove all air from the system, or flush the pump and relieve pressure.

In a circulating system, the pump runs continuously and slows down or speeds up as supply demands, until the air supply is shut off.

In a direct supply system, with adequate air pressure supplied to the motor, the pump starts when the gun or dispensing valve is opened and stalls against pressure when it is closed.

Use the air regulator to control pump speed and grease pressure. Always use the lowest pressure required to achieve the desired results. Higher pressures will cause pump packings to wear prematurely.

Maintenance

⚠ WARNING

To prevent personal injury, perform **Pressure relief procedure** before and after operating the pump and before any maintenance.

Lubrication

An air line filter/regulator/lubricator is recommended for use with your Lincoln pump to remove harmful dirt and moisture from your compressor air supply, and to provide automatic air motor lubrication.

If an air line lubricator is not used, the following procedure should be performed daily:

- 1 Disconnect air coupler from air fitting.
- 2 Fill air coupler with NO. 10 SAE motor oil and reconnect to air fitting.
- 3 Operate pump to distribute lubricant.

Material restriction prevention

Flush the system as required with a compatible solvent to prevent material buildup when pumping material that dries or hardens.

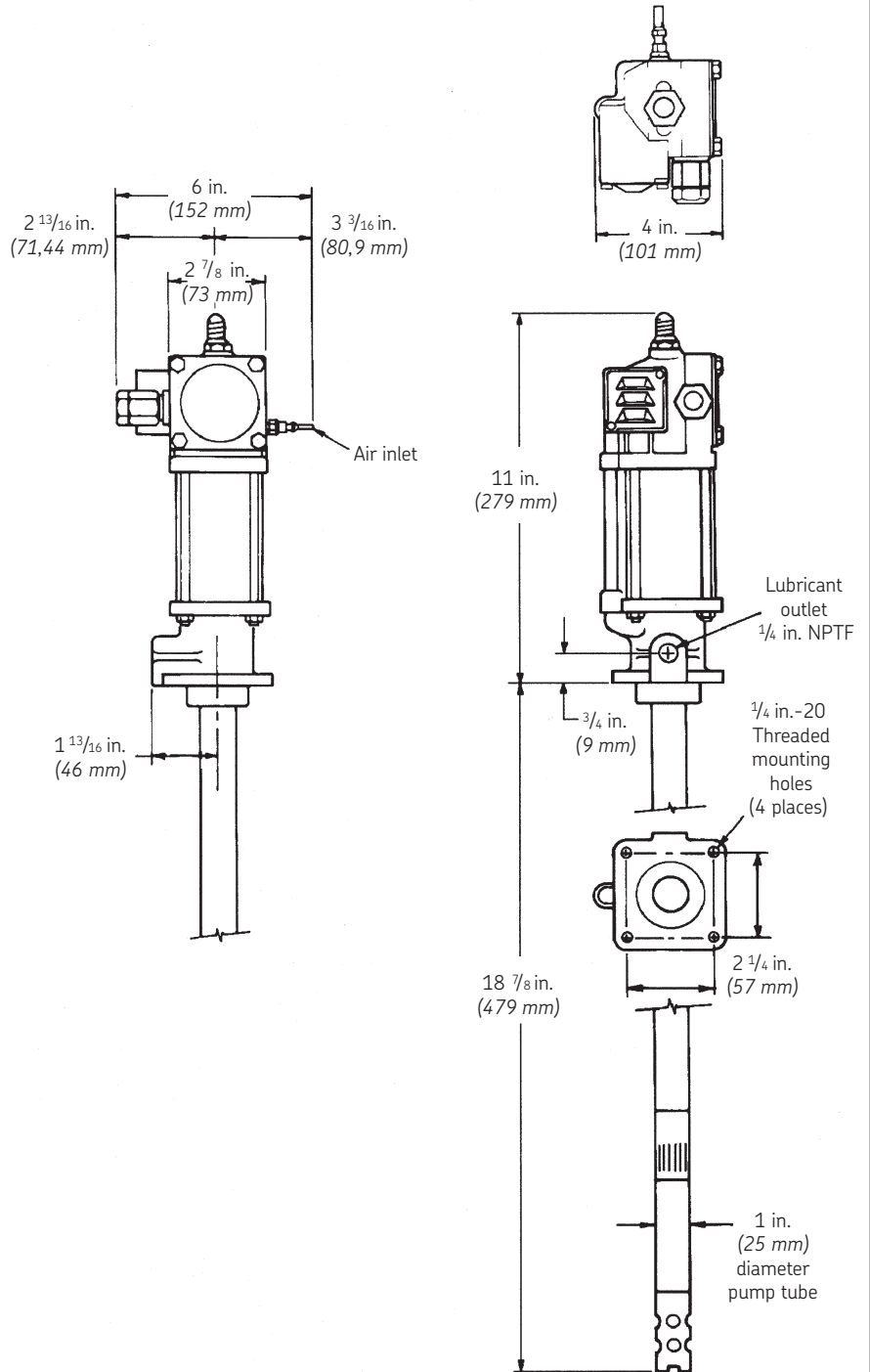
Corrosion prevention

⚠ WARNING

To reduce the risk of injury from splashing or static sparking when flushing the pump with solvents, always hold a metal part of the dispensing valve firmly to the side of a grounded metal pail and operate pump at lowest possible fluid pressure.

To prevent water or air corrosion, never leave the pump filled with water or air. Flush the pump first with a compatible solvent and then again with mineral spirits or oil based solvent.

Dimensions



Disassembly

WARNING

To prevent personal injury, perform **pressure relief procedure** before and after operating the pump and before performing any disassembly or assembly.



Notice

If complete disassembly is required, order the repair kit and replace ALL gaskets, O-rings and packings.

- 1 Remove valve cap (12) and trip rod pin (11).
- 2 Unscrew four nuts (64) from tie rods (65) and remove trip rod collar (13).
- 3 Unscrew trip sleeve (8) from trip rod (31) and lift air valve casting (9) off of air cylinder (34).
- 4 Remove packing nut (67) and packing cap (70) from air valve casting.
- 5 Remove four valve cover screws (15) and cover (61).
- 6 Remove four toggle plate screws (16), toggle assembly (62) and trip shoe (63).
- 7 Remove four valve seat screws (60), springs (59), valve guide plate (not shown) and valve slide seat and gasket (58).
- 8 Unscrew trip rod packing nut (20) from air valve casting and remove all packing parts.
- 9 Unscrew pump tube from outlet body (33).
- 10 Remove air cylinder (34) and air passage tube (35) from outlet body.
- 11 Extend air motor piston rod (1) out bottom of outlet body. Place wrenches on air piston bolt (2) and on wrench flats of piston rod and unscrew piston rod. Thread piston rod through gland packing to allow removal of pump tube.
- 12 Unscrew gland packing nut (21) from outlet body and remove all gland parts.

- 13 Remove priming tube (50) from bushing extension (51).
- 14 Extend plunger rod (43) out bushing extension and unscrew priming plunger (49) to allow removal of priming check parts and plunger rod (43).
- 15 Remove bushing extension (51) and unscrew plunger and bushing assembly (40) from pump tube. Unscrew coupling nut (36) from plunger adapter (53) to allow removal of plunger and bushing assembly intact, reducing the chance of losing ball stop (38) and check ball (39).

Assembly

To assemble, perform **disassembly** procedures in reverse. Tighten fasteners per stated torque specifications.



Notice

To prevent damage to air piston packing and pump gland packing, and to help increase packing life, lubricate air cylinder and air piston rod before assembly. Thread piston rod through gland packing when assembling pump

Before tightening four valve seat screws (60), align valve slide and seat plate (58), slide valve gasket (56) and air valve casting (9) by placing a rod through the center hole. Start all fasteners by hand to avoid **stripping threads when reassembling**.

Repair

Repair is limited to replacement of listed service parts. Special procedures and tools are required. Contact Lincoln Customer Service, One Lincoln Way, St. Louis, MO 63120-1578, (314) 679-4200 for your nearest authorized service center.

When ordering replacement parts, list: part number, description, model number and series letter.

Troubleshooting

If the following procedures do not correct the problem, contact a factory authorized service center. When submitting equipment to be repaired, be sure to state the nature of the problem and indicate if a repair cost estimate is required.

Problems

Airmotor does not operate.

- Check air supply to pump.
- Check for broken trip rod.
- Broken toggle or foreign object lodged in priming tube. Check for rust, worn or scored parts.

Air seepage from air exhaust while pump is not operating

- Check valve slide (58), seat and gasket. Check trip rod packing (19) and gasket (17) for cut or damaged packing.

Loss of pressure, volume or continuous operation of pump when not in normal use.

- Remove and clean lower inlet checks. Check for foreign material.
- Inspect sealing surfaces between upper and lower inlet checks. Replace if rough or pitted.
- Replace shovel rod if rough or pitted. Replace shovel rod packing (45).
- Inspect lubricant supply line for leaks or breaks.

Lubricant leaking from weep hole in outlet casting.

Replace O-ring (26) and U-cup (27). Make sure gland nut (21) is tight.

Excessive amount of air in lubricant or excessive amount of lubricant coming from air exhaust.

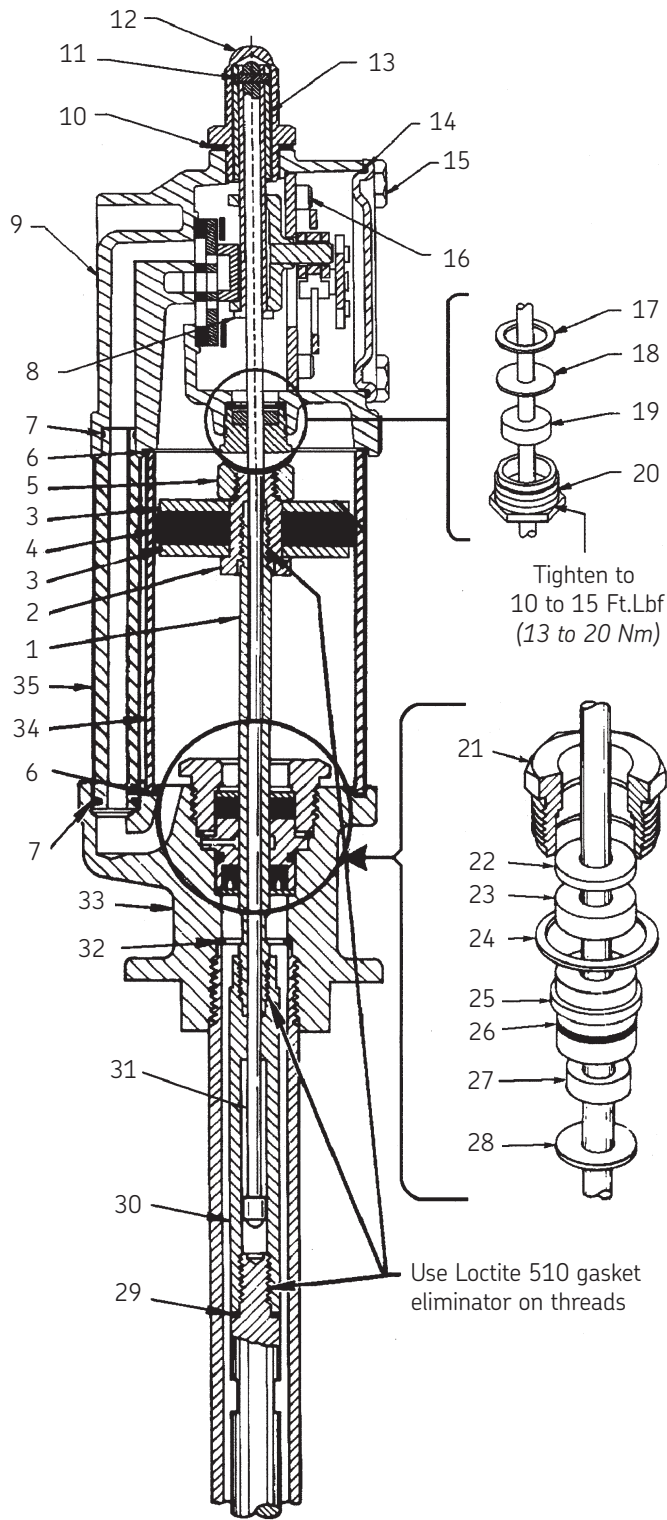


Notice

Some lubricant exhausts with air normally..

- Replace gland packing (23), gland gasket (24), O-ring (26) and U-cup packing (27).

Service parts

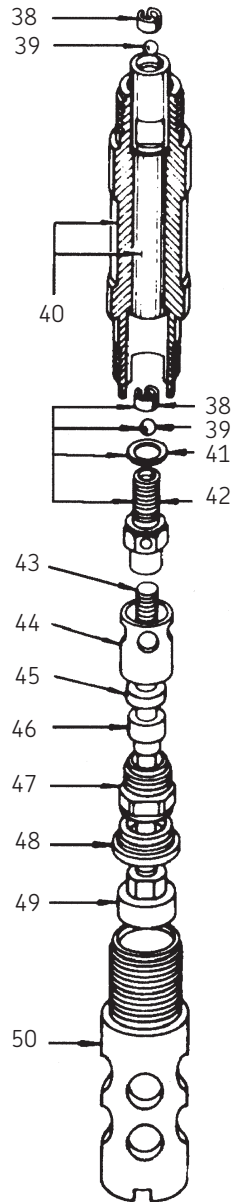
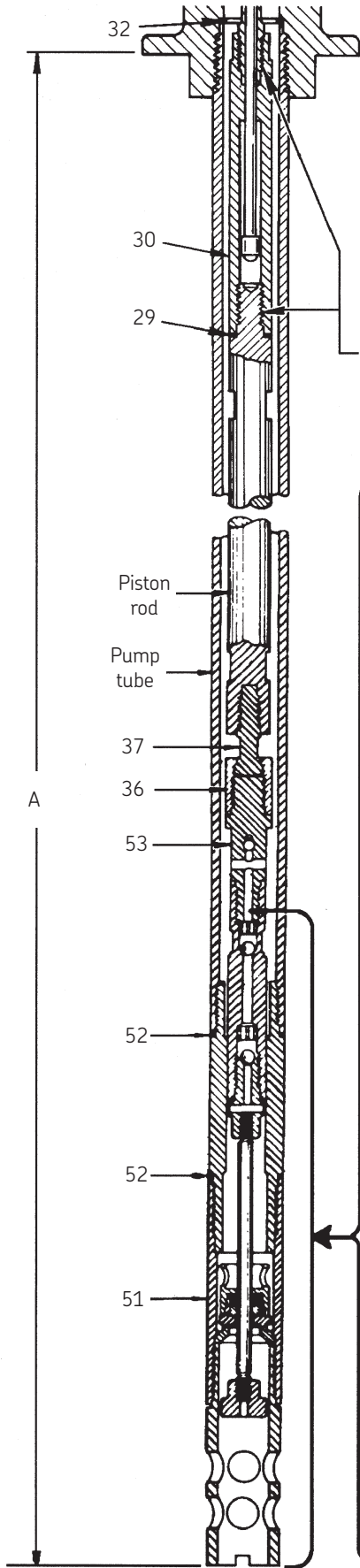


Service parts (continued)

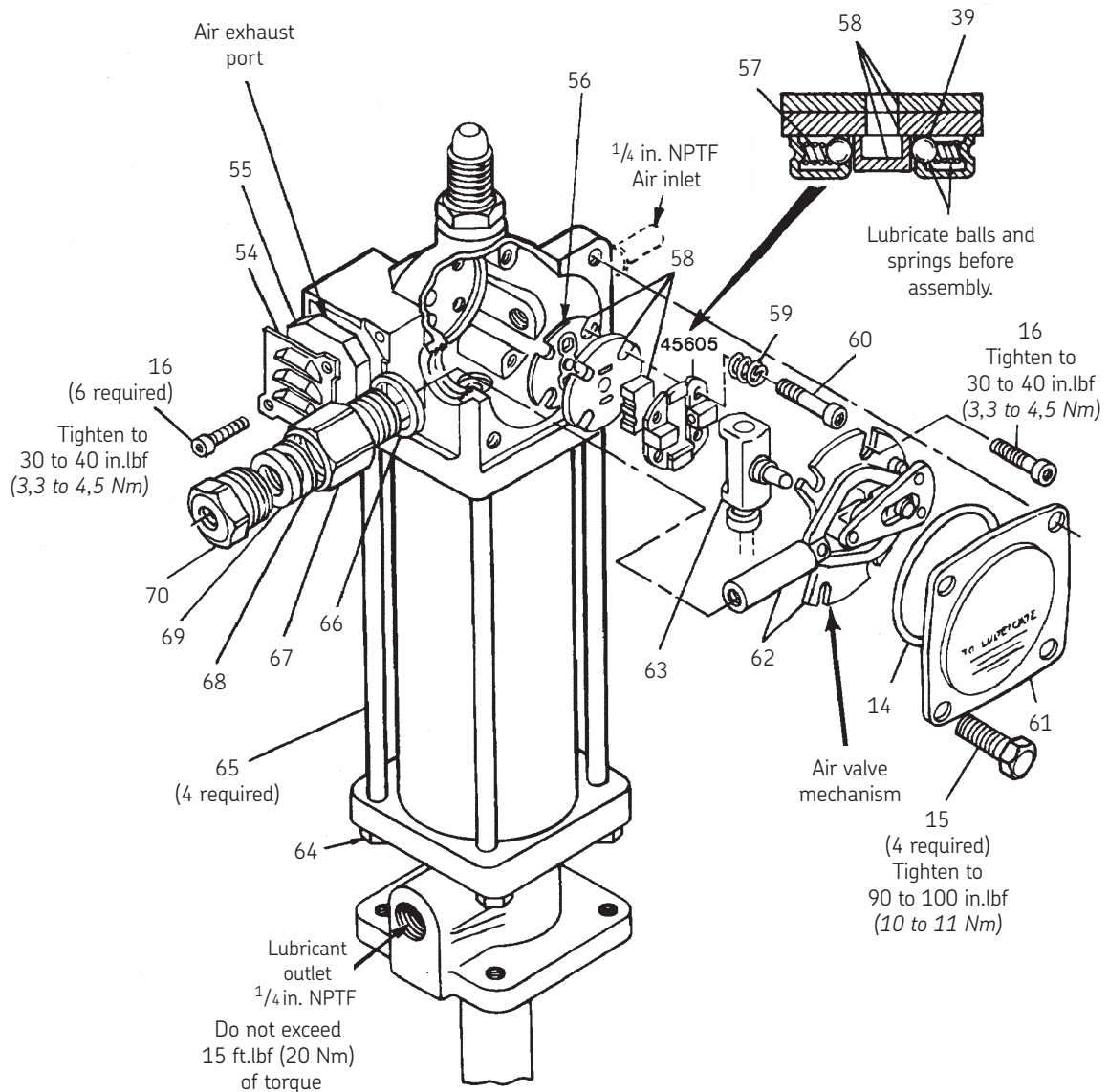
Specifications

Name	Part no.	Weight	Length
Basic pump	83513	NA	NA
Piston rod	11799	NA	3 3/4 in. (95 mm)
Pump tube	61293	NA	11 29/32 in. (302 mm)
Drum size	NA	50 lbs. (22 kg)	NA
Dimension "A"	NA	NA	18 7/8 in. (479 mm)

Use Loctite 510 gaset eliminator on threads.



Service parts (continued)

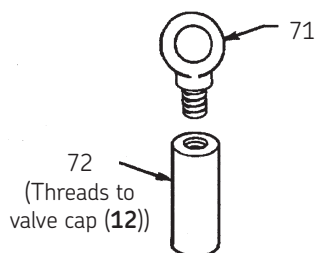


Notice

Start fasteners by hand to avoid stripping threads when reassembling.

Optional eyebolt kit

(for hoisting purposes. Parts must be ordered separately.)



To lubricate air valve mechanism

- 1 Disconnect air to pump.
- 2 Perform pressure relief procedure.
- 3 Remove four cover screws, cover plate and cover plate gasket.
- 4 Remove air valve casting from the pump and disassemble.
- 5 Clean or flush the air valve casting to remove any chips or other foreign particles.

- 6 Before replacing toggle assembly, pack cavity with grease using approximately 1-1/2 ounces of N.L.G.I. No. 1 (light grade) water repellent grease.
- 7 Replace cover plate gasket, cover plate and cover screws. Tighten to prevent air leaks.
- 8 Periodic inspection of parts at least once a year is advised.

Service parts

Item no.	Description	Part no.	Qty.	Item no.	Description	Part no.	Qty.
1	Air motor piston rod	11340 ¹⁾	1	37	Coupling stud	11346	1
2	Air piston bolt	11329	1	38	Ball stop	57027	2
3	Air piston washer	48212	2	39	Ball	69102 ¹⁾³⁾	4
4	Air piston packing	34090 ¹⁾	1	40	Plunger & bushing assy	90554	1
5	Air piston nut	11337	1	41	Check seat gasket	31047 ¹⁾²⁾	1
6	Air cylinder gasket	33014 ¹⁾	1	42	Check seat	11726 ¹⁾³⁾	1
7	O-ring	34368 ¹⁾	1	43	Plunger rod	11723 ¹⁾³⁾	1
8	Trip sleeve	11947	1	44	Check stop	11722	1
9	Air valve casting	237563	1	45	Priming check packing	35073 ¹⁾³⁾	1
10	Valve cap gasket	30011 ¹⁾	1	46	Check washer	11702 ¹⁾³⁾	1
11	Trip rod pin	11472 ¹⁾	1	47	Priming check	11721 ¹⁾³⁾	1
12	Valve cap	11470	1	48	Priming check seat	11725 ¹⁾³⁾	1
13	Trip rod collar	11471	1	49	Priming plunger	11724 ¹⁾³⁾	1
14	Cover gasket	34158 ¹⁾	1	50	Priming tube	239719	1
15	Valve cover screw	236868	6	51	Bushing extension	61273	1
16	Toggle plate screw	236869	4	52	Bushing gasket	31049	1
17	Gasket	33039 ¹⁾	1	53	Plunger adapter	11344	1
18	Packing washer	236616 ¹⁾²⁾	1	54	Muffler cover	236615	1
19	Trip rod packing	236835 ¹⁾²⁾	4	55	Muffler	236833	1
20	Trip rod packing nut	245425	1	56	Slide valve gasket	38162 ¹⁾	1
21	Gland packing nut	12333	1	57	Spring	56038 ¹⁾	1
22	Gland pack'g washer	48268	1	58	Valve slide & seat	83063	1
23	Gland packing	34180 ¹⁾	2	59	Spring	55138	1
24	Gland gasket	31050 ¹⁾	1	60	Valve seat bolt	236870	1
25	Gland packing spacer	14940	1	61	Cover	236286	1
26	O-ring	34572 ¹⁾	1	62	Toggle plate	91331 ²⁾	1
27	U-cup packing	38165 ¹⁾	1	63	Trip shoe	11475 ²⁾	1
28	Gland packing washer	48213	1	64	Tie rod nut	51009	4
29	Connector gasket	31048 ¹⁾	2	65	Tie rod	10294	4
30	Piston rod connector	11349	1	66	Packing nut gasket	30003 ¹⁾	1
31	Trip rod	90691 ²⁾	1	67	Packing nut	11904	1
32	Pump tube gasket	31054 ¹⁾	2	68	Plunger pack'g washer	48237	1
33	Outlet body	40537	1	69	Plunger packing	34110 ²⁾	1
34	Air cylinder	61041 ²⁾	1	70	Packing cap	11905	1
35	Air passage tube	61502	1	71	Eye bolt	68531	1
36	Coupling nut	11345	1	72	Extension adapter	236975	1
				Not shown	Valve guide plate	45605	1

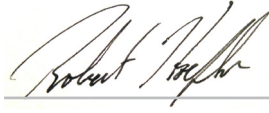
¹⁾ Included in 83054 Pump Repair Kit.

²⁾ Recommended Service Part

³⁾ Included in 83001 Power Pump Tube Repair Kit.

EC Declaration of Conformity in accordance with EC Machinery Directive 2006/42/EC, Annex II Part 1 A

Manufacturer
Lincoln Industrial, One Lincoln Way
St. Louis, MO 63120-1578 USA



The manufacturer Lincoln Industrial, One Lincoln Way, St. Louis, MO 63120-1578 USA hereby declares that the machine

Bob Hoefler,
Bob Hoefler, Director Product Development /
Product Engineering
January 15, 2015

Designation: High-pressure air operated chassis pump

Type: Lubrigun

Part number: 282396, 82050, 82050-E575, 82054, 82716, 83513, 84667, 84668, 84933

Year of construction: see type identification plate

complies with all basic requirements of the following directives at the time when first being launched in the market.

Applied standards DIN EN ISO 12100:2011-3, DIN EN 61000-2:2003-5, DIN 40050-9:1993-5
DIN EN 809-1:2011, DIN EN 60204-1:2011-1, DIN EN 55011:2011-4

In the case of modifications or alterations of the above mentioned machine not authorized by the manufacturer validity of this EC declaration of conformity will cease. The person empowered to assemble the technical documentation on behalf of the manufacturer is the head of standardization; see manufacturer's address.

EC Declaration of Conformity
EU-Repräsentant
SKF Lubrication Systems Germany GmbH
Heinrich-Hertz-Str. 2-8
DE - 69190 Walldorf

Lincoln industrial standard warranty

Limited warranty

Lincoln warrants the equipment manufactured and supplied by Lincoln to be free from defects in material and workmanship for a period of one (1) year following the date of purchase, excluding there from any special, extended, or limited warranty published by Lincoln. If equipment is determined to be defective during this warranty period, it will be repaired or replaced, within Lincoln's sole discretion, without charge.

This warranty is conditioned upon the determination of a Lincoln authorized representative that the equipment is defective. To obtain repair or replacement, you must ship the equipment, transportation charges prepaid, with proof of purchase to a Lincoln Authorized Warranty and Service Center within the warranty period.

This warranty is extended to the original retail purchaser only. This warranty does not apply to equipment damaged from accident, overload, abuse, misuse, negligence, faulty installation or abrasive or corrosive material, equipment that has been altered, or equipment repaired by anyone not authorized by Lincoln. This warranty applies only to equipment installed, operated and maintained in strict accordance with the written specifications and recommendations provided by Lincoln or its authorized field personnel.

This warranty is exclusive and is in lieu of any other warranties, express or implied, including, but not limited to, the warranty of merchantability or warranty of fitness for a particular purpose. Warranty on items sold by Lincoln, but not manufactured by Lincoln are subject to the warranty consideration, if any, of their manufacturer (such as hoses, hydraulic and electric motors, electrical controllers, etc.) Assistance in making such warranty claims can be offered as required.

In no event shall Lincoln be liable for incidental or consequential damages. Lincoln's liability for any claim for loss or damages arising out of the sale, resale or use of any Lincoln equipment shall in no event exceed the purchase price. Some jurisdictions do not allow the exclusion or limitation of incidental or consequential damages, therefore the above limitation or exclusion may not apply to you.

This warranty gives you specific legal rights. You may also have other rights that vary by jurisdiction.

Customers not located in the Western Hemisphere or East Asia: Please contact SKF Lubrication Systems, Germany, GmbH for your warranty rights.

Lincoln Industrial Special limited warranties

Special limited 2 year warranty SL-V series, single injectors – 85772, 85782, replacement injectors – 85771, 85781, and FlowMaster II

Lincoln warrants the SL-V Injector series and bare FlowMaster II "pump only" models to be free from defects in material and workmanship for two (2) years following the date of purchase. If an injector model (single or replacement) or "bare" FlowMaster II pump is determined to be defective by Lincoln, in its sole discretion, during this warranty period, it will be repaired or replaced, at Lincoln's discretion, without charge.

Special limited 5 year warranty series 20, 25, 40 bare pumps, pmv bare pumps, heavy duty and 94000 series bare reels

Lincoln warrants series 20, 25, 40 bare pumps, PMV bare pumps, Heavy Duty (82206), Mini Bench (81133, 81323), and all 94000 LFR series (single arm and dual arm) bare reels to be free from defects in material and workmanship for five (5) years following the date of purchase. If equipment is determined by Lincoln, in its sole discretion, to be defective during the first year of the warranty period, it will be repaired or replaced at Lincoln's discretion, without charge. In years two (2) and three (3), the warranty on this equipment is limited to repair with Lincoln paying parts and labor only. In years four (4) and five (5), the warranty on this equipment is limited to repair with Lincoln paying for parts only.

Special limited 5 year warranty limited oil meters, limited fluid control valves, aod (air-operated diaphragm pumps)

Lincoln warrants the 716 series Control Valves, 916 series Lube Meters, Electronic Lube Meters (980, 981, 982 series), our Universal Inline Digital Meters (814/817 series), and our AOD Pump offering to be free from defects in material and workmanship for five (5) years following the date of purchase. If either is determined to be defective by Lincoln, in its sole discretion, during the warranty period, they will be repaired or replaced, at Lincoln's discretion, without charge.

Special DEF (diesel exhaust fluid) limited warranty

DEF products are warranted to be free from defects in material and workmanship for a period of one (1) year following the date of purchase. The following exceptions to the standard warranty period are in effect;

- 85700-30/85700-50 DEF hose reels (bare reel only), 277251/277252 AC DEF pumps, and 277256 and 277257 DEF meters are warranted for two (2) years from date of purchase,
- 85623 DEF AOD (air operated diaphragm) pumps are covered under the standard five (5) year AOD pump warranty.

If either is determined to be defective by Lincoln, in its sole discretion, during the warranty period, they will be repaired or replaced, at Lincoln's discretion, without charge.

Lincoln Industrial contact information

To find Lincoln Industrial's nearest service center call the following number; customer service 314-679-4200 (international number 01-314-679-4200) or you may also use our website www.lincolnindustrial.com

This page left intentionally blank

This page left intentionally blank

This page left intentionally blank



The Power of Knowledge Engineering
 Combining products, people, and application-specific knowledge, SKF delivers innovative solutions to equipment manufacturers and production facilities in every major industry worldwide. Having expertise in multiple competence areas supports SKF Life Cycle Management, a proven approach to improving equipment reliability, optimizing operational and energy efficiency and reducing total cost of ownership.

These competence areas include bearings and seals, seals, lubrication systems, mechatronics, and a wide range of services, from 3-D computer modeling to cloud-based condition monitoring and asset management services.

SKF's global footprint provides SKF customers with uniform quality standards and worldwide product availability. Our local presence provides direct access to the experience, knowledge and ingenuity of SKF people.

© SKF is a registered trademark of the SKF Group.

© Lincoln is a registered trademark of Lincoln Industrial Corp.

© SKF Group 2015

The contents of this publication are the copyright of the publisher and may not be reproduced (even extracts) unless prior written permission is granted. Every care has been taken to ensure the accuracy of the information contained in this publication but no liability can be accepted for any loss or damage whether direct, indirect or consequential arising out of the use of the information contained herein.

SKF PUB LS/14 15628 EN.R1 · March 2015 · Form 403513C

LINCOLN

SKF