

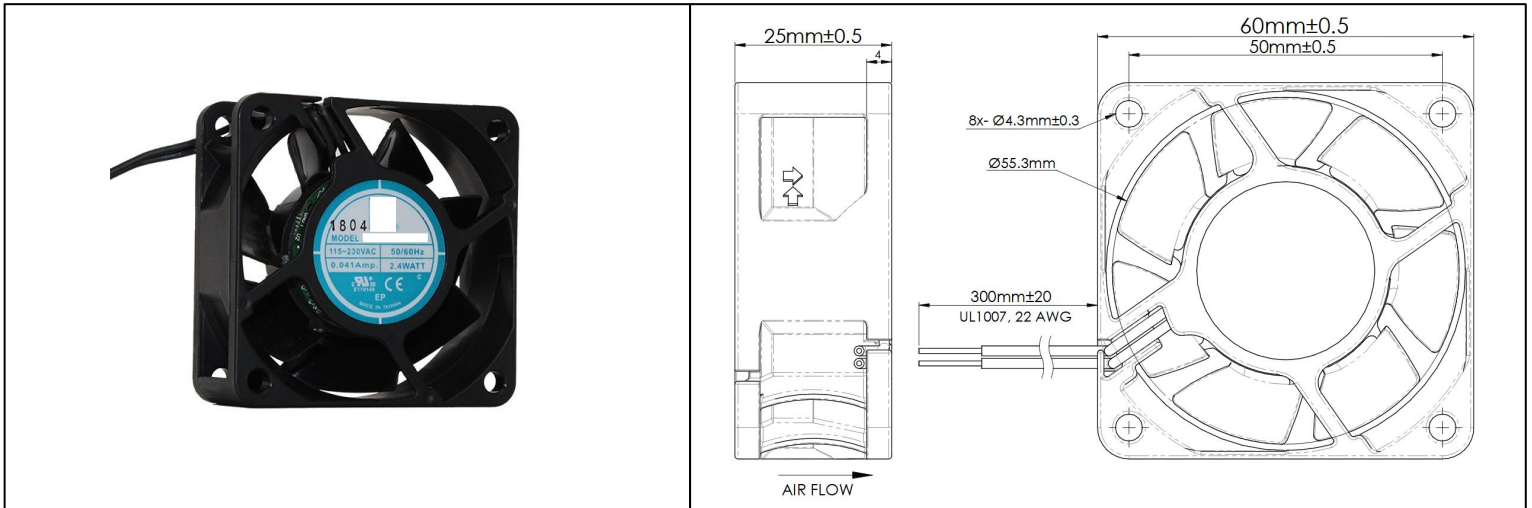


# Datasheet

## RS PRO EC FAN 60x60x25mm

Stock Number: 230-3032

EN



|                       |  |  |  |
|-----------------------|--|--|--|
| Frame                 | PBT, UL94 V-0 Plastic  | <p><u>Operating Temperature</u><br/>-20°C ~ +70°C</p> <p><u>Storage Temperature</u><br/>-30°C ~ +75°C</p> <p><u>Life Expectancy</u><br/>50,000 hours (L10 at 40°C)</p> <p>Weight: 0.06Kgs (0.13 lbs)</p> |  |
| Impeller              | PBT, UL94 V-0 Plastic  |  |  |
| Connection            | 2x Wire Leads, 22 AWG  |  |  |
| Motor                 | Brushless EC, Auto Cutoff, Auto Restart, Electronically Protected, Class A Insulation, IP68 and ATEX Rated |  |  |
| Bearing System        | Dual Ball Bearings   |  |  |
| Dielectric Strength   | 1500VAC/min, <1mA  |  |  |
| Insulation Resistance | ≥10M Ohm @ 500 VDC   |  |  |

|                      |                              |
|----------------------|------------------------------|
| Model Number         |                              |
| Rated Voltage        | 96- 265 VAC                  |
| Rated Power (Watts)  | 2.2 ± 30%                    |
| Rated Current (A)    | 0.33 ± 0.08                  |
| Rated Speed (RPM)    | 3900 ± 10%                   |
| Airflow (CFM)        | 19.1 ± 10%                   |
| Noise Level (dB)     | 31                           |
| Max. Static Pressure | 0.17" H <sub>2</sub> O ± 10% |