

## FEATURES

- Cable flex has copper wire conductors and drain wire
- Length of 1m
- The connectors are nickel and have a strain relief
- USB 3.1 supports 20 volt, 3 amp power delivery, this cable has a 56K $\Omega$  resistor

## RS PRO Male USB C to Male USB A USB Cable, 1m

RS Stock No.: 182-8848



RS Professionally Approved Products bring to you professional quality parts across all product categories. Our product range has been tested by engineers and provides a comparable quality to the leading brands without paying a premium price.

**Product Description**

From RS PRO, comes a high-quality male USB A to male mini USB B USB cable. Constructed to industry standards, this USB has been designed to link devices such as tablets and mobile phones to computers making it a fantastic solution.

**General Specifications**

<b>USB Type</b>	USB 2.0
<b>Connector A</b>	Male USB C
<b>Connector A Type</b>	USB C
<b>Connector A Gender</b>	Male
<b>Connector B</b>	Male USB A
<b>Connector B Type</b>	USB A
<b>Connector B Gender</b>	Male
<b>Outer Sheath Material</b>	PVC
<b>Sheath Colour</b>	Black
<b>Connector Plating</b>	Nickel
<b>Applications</b>	Mobile phones, Cameras, External hard drives, Tablets, Smart watches, Portable speakers

**Electrical Specifications**

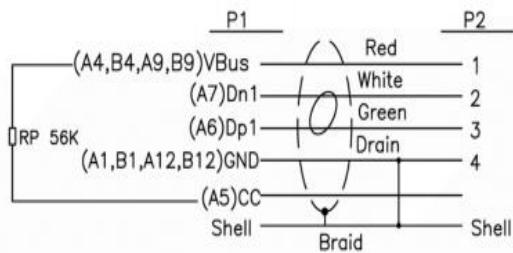
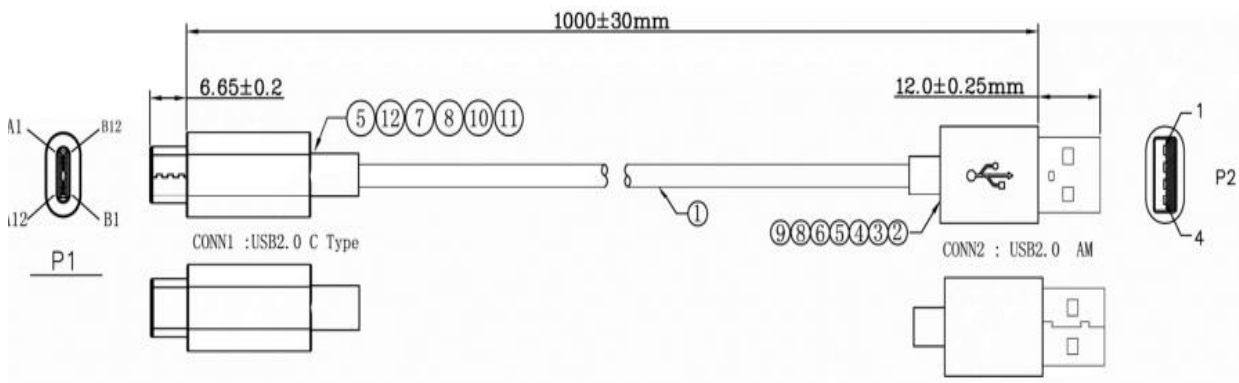
<b>Voltage Rating</b>	20V
<b>Maximum Power</b>	3A

**Mechanical Specifications**

<b>Length</b>	1m
---------------	----

**Approvals**

<b>Standards Met</b>	RoHS, CE, REACH
----------------------	-----------------



12	Inside Molding:Low pressure material
11	USB TYPE C~Below Tinplate Nickel Plated
10	USB TYPE C~UP Tinplat Nickel Plated
9	W=5MM 25u Double conductive copper foil
8	H.S TUBE φ 1.0 Thick wall
7	Outside Molding 45P PVC Color:Black
6	Inside Molding:Transparent PE
5	山鼎TYPEC-USB2.0 C Type Connector With PCBA (56KΩ)
4	USB2.0 AM UP Tinplat Nickel Plated
3	USB2.0 AM Below Tinplate Nickel Plated
2	USB2.0 AM insulation:WHITE PIN:Gold plated
1	NO-LUL 30AWG*2C+24AWG+3EAB (16/9/0.06TC 95%TC) OD:3.0MM PVC BLACK NO-MARKING