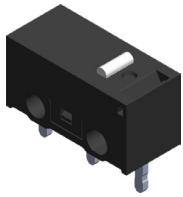


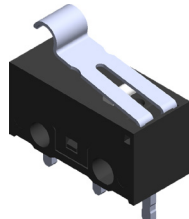
# Through Hole Snap Action Microswitches

**multicomp** PRO

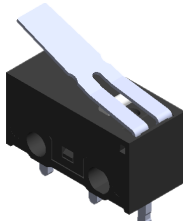
**RoHS  
Compliant**



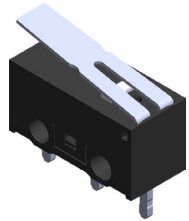
MP00555



MP005564



MP005549



MP005560

## Features

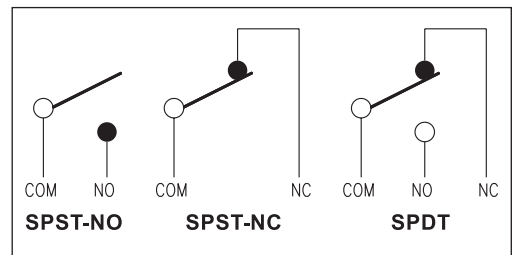
- Miniature microswitch conforming to UL.
- PCB terminal models are resistant to flux.
- Highly reliable with long operating life.

Contact Rating	0.1A at 30V DC	0.1A
	3A at 125VAC/1.5A at 250V AC	3A
Mechanical Durability	1,000,000 cycles MIN.	0.1A
	500,000 cycles MIN.	3A
Electrical Durability	30,000 cycles MIN.	0.1A
	8,000 cycles MIN.	3A
Contact Resistance	100mΩ MAX.	
Insulation Resistance	100MΩ MIN.	
Dielectric Strength	Between terminals of same polarity "AC 600V 1 minute"	
	Between current-carrying metal parts and ground "AC 1500V 1 minute" Between each terminal and non-current-carrying metal part "AC 1500V 1 minute"	
Operating Temperature	-25°C to +75°C	

## Application

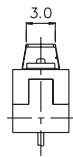
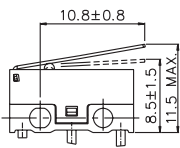
- Mouse, Projector
- Communication equipments
- Security
- Electronic equipments
- Household appliances

## Circuit

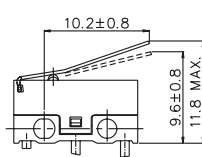


## Actuator

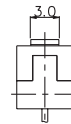
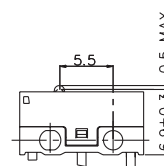
### Hinge Lever



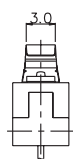
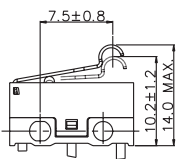
### Bent Lever



### Pin Plunger



### Simulated Roller Lever



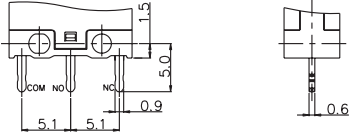
Newark.com/multicomp-pro  
Farnell.com/multicomp-pro  
Element14.com/multicomp-pro

**multicomp** PRO

# Through Hole Snap Action Microswitches

**multicomp** PRO

PCB Terminal



## SPDT

Ratings	Plating	Actuator	Part Number
0.1A	Silver Contact	Pin Plunger	MP005555
		Hinge Lever	MP005549
		Bent Lever	MP005546
		Simulated Roller Lever	MP005552
3A	Silver Contact	Pin Plunger	MP005567
		Hinge Lever	MP005561
		Bent Lever	MP005558
		Simulated Roller Lever	MP005564

## SPST-NC

Ratings	Plating	Actuator	Part Number
0.1A	Silver Contact	Pin Plunger	MP005556
		Hinge Lever	MP005550
		Bent Lever	MP005547
		Simulated Roller Lever	MP005553
3A	Silver Contact	Pin Plunger	MP005568
		Hinge Lever	MP005562
		Bent Lever	MP005559
		Simulated Roller Lever	MP005565

## SPST-NO

Ratings	Plating	Actuator	Part Number
0.1A	Silver Contact	Pin Plunger	MP005557
		Hinge Lever	MP005551
		Bent Lever	MP005548
		Simulated Roller Lever	MP005554
3A	Silver Contact	Pin Plunger	MP005569
		Hinge Lever	MP005563
		Bent Lever	MP005560
		Simulated Roller Lever	MP005566

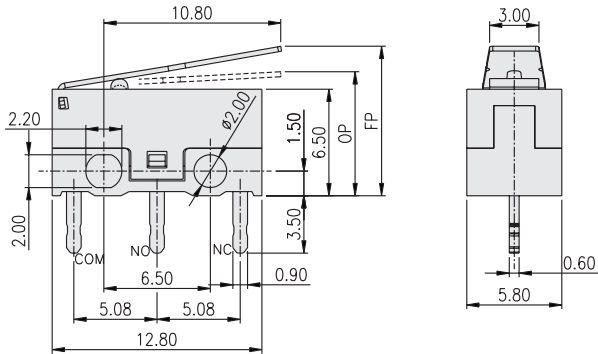
Newark.com/multicomp-pro  
Farnell.com/multicomp-pro  
Element14.com/multicomp-pro

**multicomp** PRO

# Through Hole Snap Action Microswitches

**multicomp** PRO

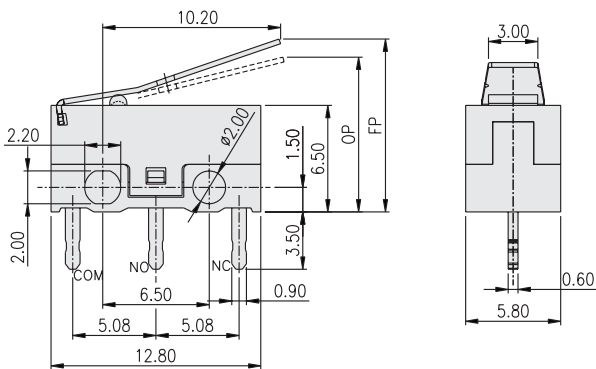
**MP005549 /  
MP005561**



OPERATING CHARACTERISTICS

ITEM	SPEC.
OPERATING FORCE(OF)	0.1A 26gf (0.25N) MAX.
	3A 40gf (0.39N) MAX.
RELEASE FORCE(RF)	2gf (0.02N) MIN.
OVERTRAVEL(OT)	0.55mm MIN.
MOVEMENT DIFFERENTIAL(MD)	0.50mm MAX.
OPERATING POSITION(OP)	8.5±1.5mm
FREE POSITION(FP)	11.5mm MAX.

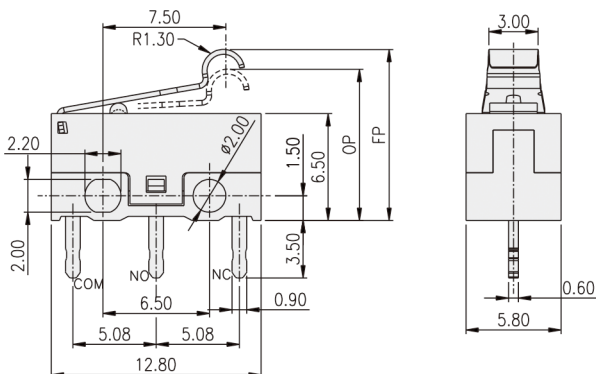
**MP005546/  
MP005558**



OPERATING CHARACTERISTICS

ITEM	SPEC.
OPERATING FORCE(OF)	26gf (0.25N) MAX.
RELEASE FORCE(RF)	2gf (0.02N) MIN.
OVERTRAVEL(OT)	0.55mm MIN.
MOVEMENT DIFFERENTIAL(MD)	0.50mm MAX.
OPERATING POSITION(OP)	9.6±0.8mm
FREE POSITION(FP)	11.8mm MAX.

**MP005552 /  
MP005564**



OPERATING CHARACTERISTICS

ITEM	SPEC.
OPERATING FORCE(OF)	40gf (0.39N) MAX.
RELEASE FORCE(RF)	2gf (0.02N) MIN.
OVERTRAVEL(OT)	0.50mm MIN.
MOVEMENT DIFFERENTIAL(MD)	0.45mm MAX.
OPERATING POSITION(OP)	10.2±1.2mm
FREE POSITION(FP)	14.0mm MAX.

Newark.com/multicomp-pro  
Farnell.com/multicomp-pro  
Element14.com/multicomp-pro

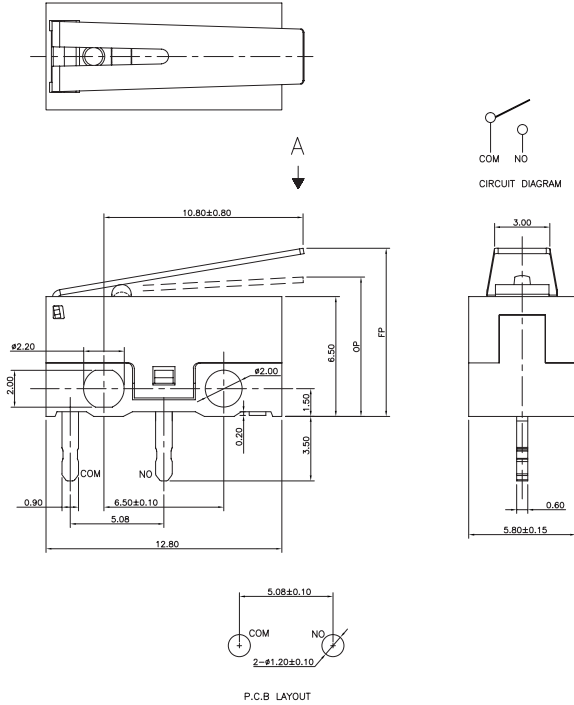
**multicomp** PRO



# Through Hole Snap Action Microswitches

**multicomp** PRO

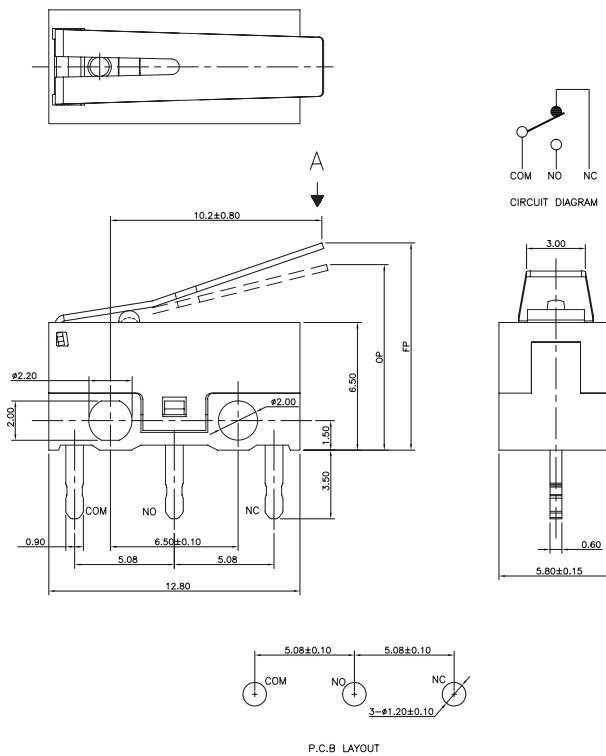
MP005551 /  
MP005563



OPERATING CHARACTERISTICS

ITEM	SPEC.
OPERATING FORCE(OF)	0.1A 26gf (0.25N) MAX.
	3A 40gf (0.39N) MAX.
RELEASE FORCE(RF)	2gf (0.02N) MIN.
OVERTRAVEL(OT)	0.55mm MIN.
MOVEMENT DIFFERENTIAL(MD)	0.50mm MAX.
OPERATING POSITION(OP)	8.5±1.5mm
FREE POSITION(FP)	11.5mm MAX.

MP005547 /  
MP005559



OPERATING CHARACTERISTICS

ITEM	SPEC.
OPERATING FORCE(OF)	26gf (0.25N) MAX.
RELEASE FORCE(RF)	2gf (0.02N) MIN.
OVERTRAVEL(OT)	0.55mm MIN.
MOVEMENT DIFFERENTIAL(MD)	0.50mm MAX.
OPERATING POSITION(OP)	9.6±0.8mm
FREE POSITION(FP)	11.8mm MAX.

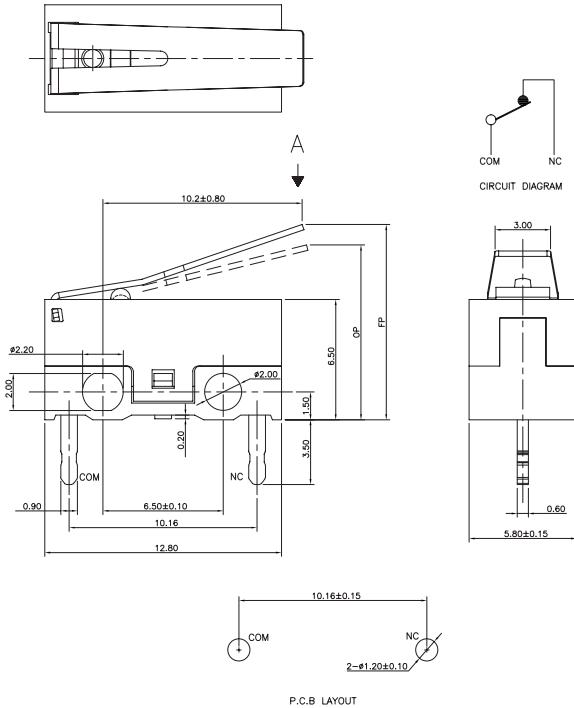
Newark.com/multicomp-pro  
Farnell.com/multicomp-pro  
Element14.com/multicomp-pro

**multicomp** PRO

# Through Hole Snap Action Microswitches

**multicomp** PRO

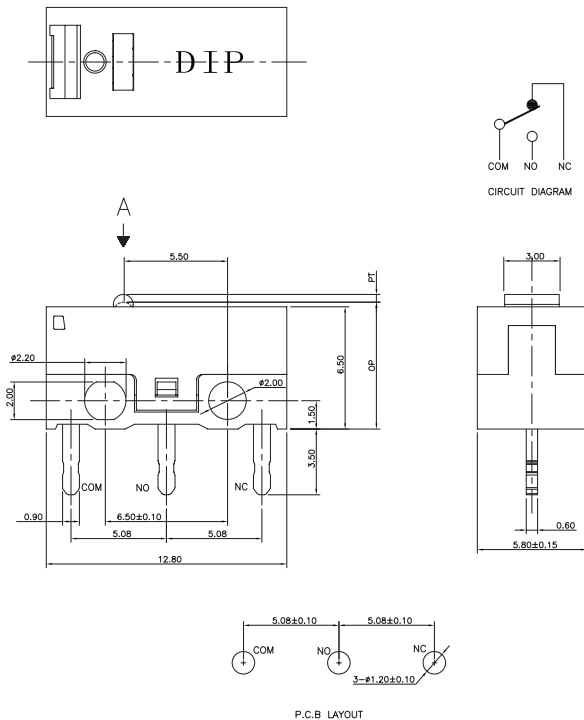
MP005548 /  
MP005560



OPERATING CHARACTERISTICS

ITEM	SPEC.
OPERATING FORCE(OF)	26gf (0.25N) MAX.
RELEASE FORCE(RF)	2gf (0.02N) MIN.
OVERTRAVEL(OT)	0.55mm MIN.
MOVEMENT DIFFERENTIAL(MD)	0.50mm MAX.
OPERATING POSITION(OP)	9.6±0.8mm
FREE POSITION(FP)	11.8mm MAX.

MP005556 /  
MP005568



OPERATING CHARACTERISTICS

ITEM	SPEC.
OPERATING FORCE(OF)	0.1A 76gf (0.75N) MAX.
	3A 80gf (0.88N) MAX.
RELEASE FORCE(RF)	0.1A 2gf (0.02N) MIN.
	3A 5gf (0.05N) MIN.
PRETRAVEL(PT)	0.50mm MAX.
OVERTRAVEL(OT)	0.20mm MIN.
MOVEMENT DIFFERENTIAL(MD)	0.20mm MAX.
OPERATING POSITION(OP)	6.9±0.3mm

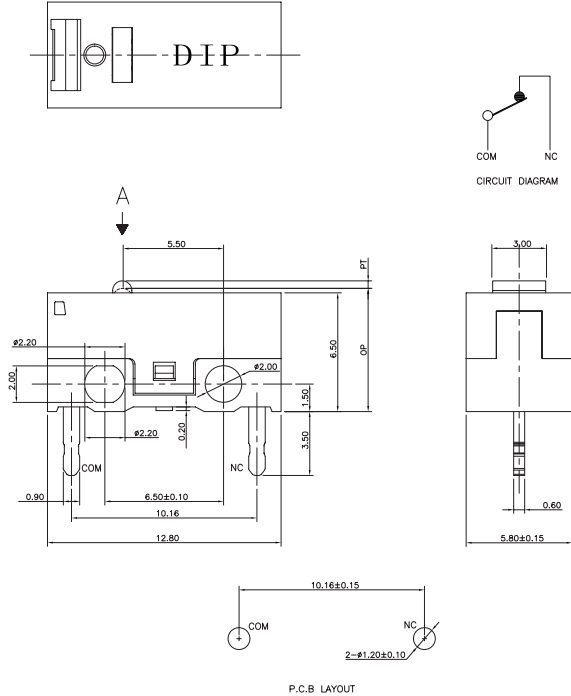
Newark.com/multicomp-pro  
Farnell.com/multicomp-pro  
Element14.com/multicomp-pro

**multicomp** PRO

# Through Hole Snap Action Microswitches

**multicomp** PRO

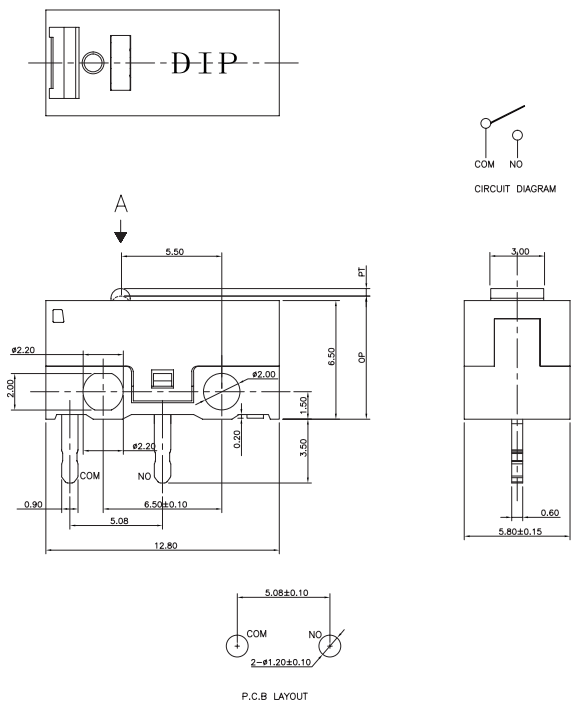
MP005557 /  
MP005569



OPERATING CHARACTERISTICS

ITEM	SPEC.
OPERATING FORCE(OF)	0.1A 76gf (0.75N) MAX.
	3A 90gf (0.88N) MAX.
RELEASE FORCE(RF)	0.1A 2gf (0.02N) MIN.
	3A 5gf (0.05N) MIN.
PRETRAVEL(PT)	0.50mm MAX.
OVERTRAVEL(OT)	0.20mm MIN.
MOVEMENT DIFFERENTIAL(MD)	0.20mm MAX.
OPERATING POSITION(OP)	6.9±0.3mm

MP005553 /  
MP005565



OPERATING CHARACTERISTICS

ITEM	SPEC.
OPERATING FORCE(OF)	0.1A 76gf (0.75N) MAX.
	3A 90gf (0.88N) MAX.
RELEASE FORCE(RF)	0.1A 2gf (0.02N) MIN.
	3A 5gf (0.05N) MIN.
PRETRAVEL(PT)	0.50mm MAX.
OVERTRAVEL(OT)	0.20mm MIN.
MOVEMENT DIFFERENTIAL(MD)	0.20mm MAX.
OPERATING POSITION(OP)	6.9±0.3mm

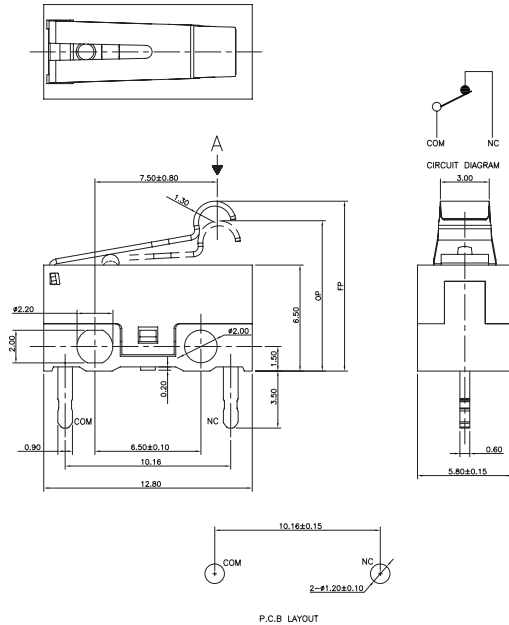
Newark.com/multicomp-pro  
Farnell.com/multicomp-pro  
Element14.com/multicomp-pro

**multicomp** PRO

# Through Hole Snap Action Microswitches

**multicomp** PRO

MP005554 /  
MP005566



## OPERATING CHARACTERISTICS

ITEM	SPEC.
OPERATING FORCE(OF)	40gf (0.39N) MAX.
RELEASE FORCE(RF)	2gf (0.02N) MIN.
OVERTRAVEL(OT)	0.50mm MIN.
MOVEMENT DIFFERENTIAL(MD)	0.45mm MAX.
OPERATING POSITION(OP)	10.2±1.2mm
FREE POSITION(FP)	14.0mm MAX.

**Important Notice :** This data sheet and its contents (the "Information") belong to the members of the AVNET group of companies (the "Group") or are licensed to it. No licence is granted for the use of it other than for information purposes in connection with the products to which it relates. No licence of any intellectual property rights is granted. The Information is subject to change without notice and replaces all data sheets previously supplied. The Information supplied is believed to be accurate but the Group assumes no responsibility for its accuracy or completeness, any error in or omission from it or for any use made of it. Users of this data sheet should check for themselves the Information and the suitability of the products for their purpose and not make any assumptions based on information included or omitted. Liability for loss or damage resulting from any reliance on the Information or use of it (including liability resulting from negligence or where the Group was aware of the possibility of such loss or damage arising) is excluded. This will not operate to limit or restrict the Group's liability for death or personal injury resulting from its negligence. Multicomp Pro is the registered trademark of Premier Farnell Limited 2019.

Newark.com/multicomp-pro  
Farnell.com/multicomp-pro  
Element14.com/multicomp-pro

**multicomp** PRO