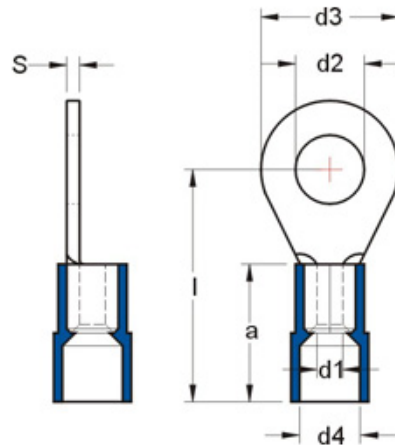


# Datasheet

## RS PRO Yellow Insulated Crimp Ring Terminal, 0.2mm<sup>2</sup> to 0.5mm<sup>2</sup>, 26 AWG to 22 AWG, 4.3mm Stud Size

RS Stock number [239-4133](#)



### Technical Specification

**Maximum Electrical Current:** 26 AWG: 5.5A, 22 AWG: 9A

**Maximum Electrical Rating:** 105°C 600V maximum

**Insulation Material:** Nylon

**Insulation Colour:** Yellow

**Terminal Material:** Copper

### Dimensions

Wire Size (mm <sup>2</sup> /AWG)	Stud Size		Dimensions (mm)					
	d2		d3	l	d1	d4	a	S
	Size	(mm)						
0.2-0.5 mm <sup>2</sup> /26-22 AWG	#8	4.3	6.5	16	1	2.3	8	0.5