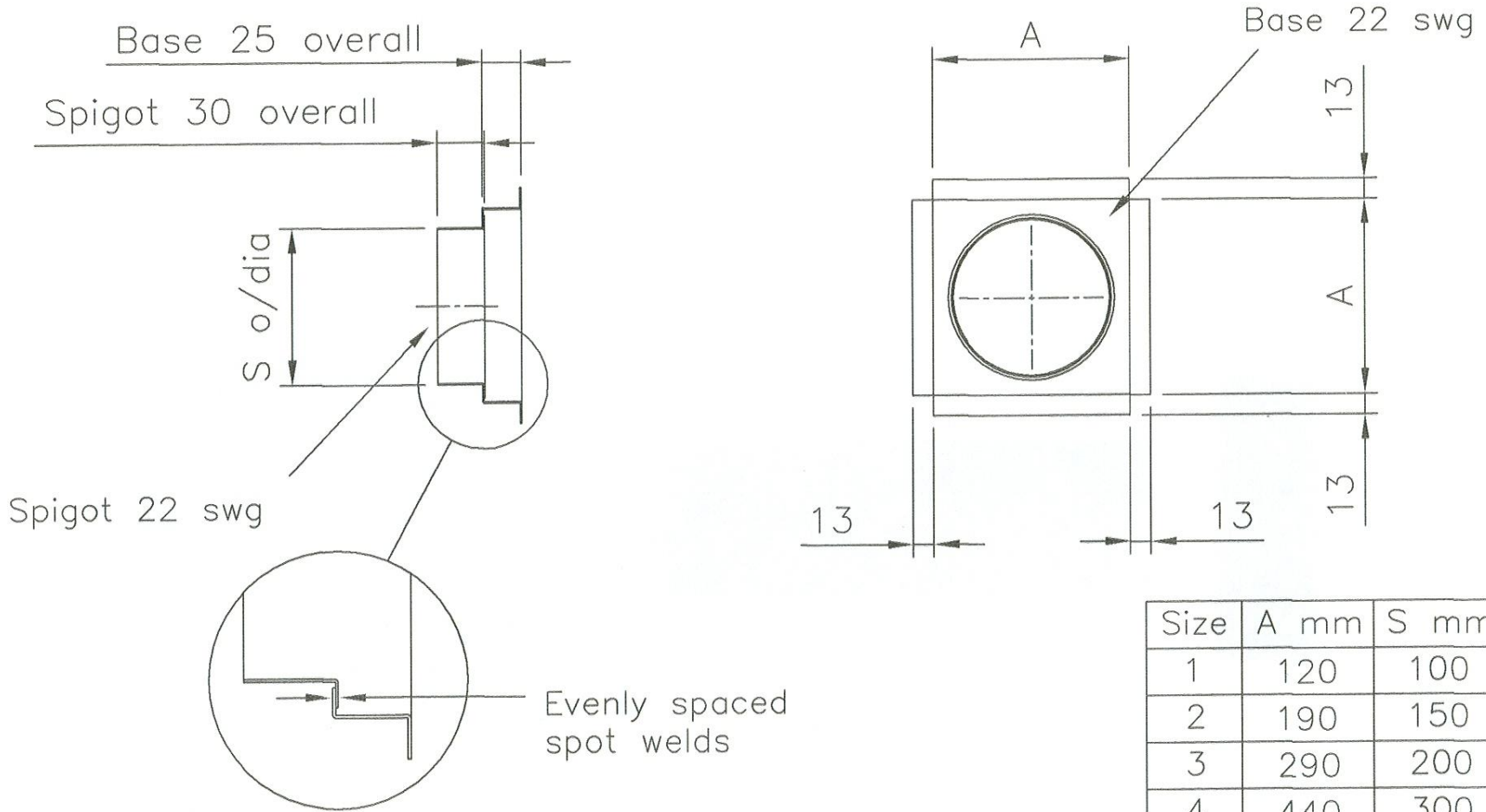

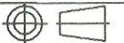


All folds as tight as possible.



Size	A mm	S mm
1	120	100
2	190	150
3	290	200
4	440	300

Note: All dimensions are plus or minus 2mm

				Do not scale, if in doubt ask			Drawn	Checked	Date
				Dimensions are in millimetres			DTW		
				Tolerances unless otherwise stated are... Lengths ± 1 mm Angles ± 1°			Project General		
				Third Angle Projection 			Title Spigot Plates		
Issue	Date	Change	Issue	Date	Change	Drawing number		990416	Issue
								1	

This drawing is copyright protected and is the property of RCM Products Limited and it may not be subjected to patents or design registration in part or full. It may not be copied or disclosed to any third party for any purpose except as authorized in writing by RCM Products Ltd by whom it is issued.