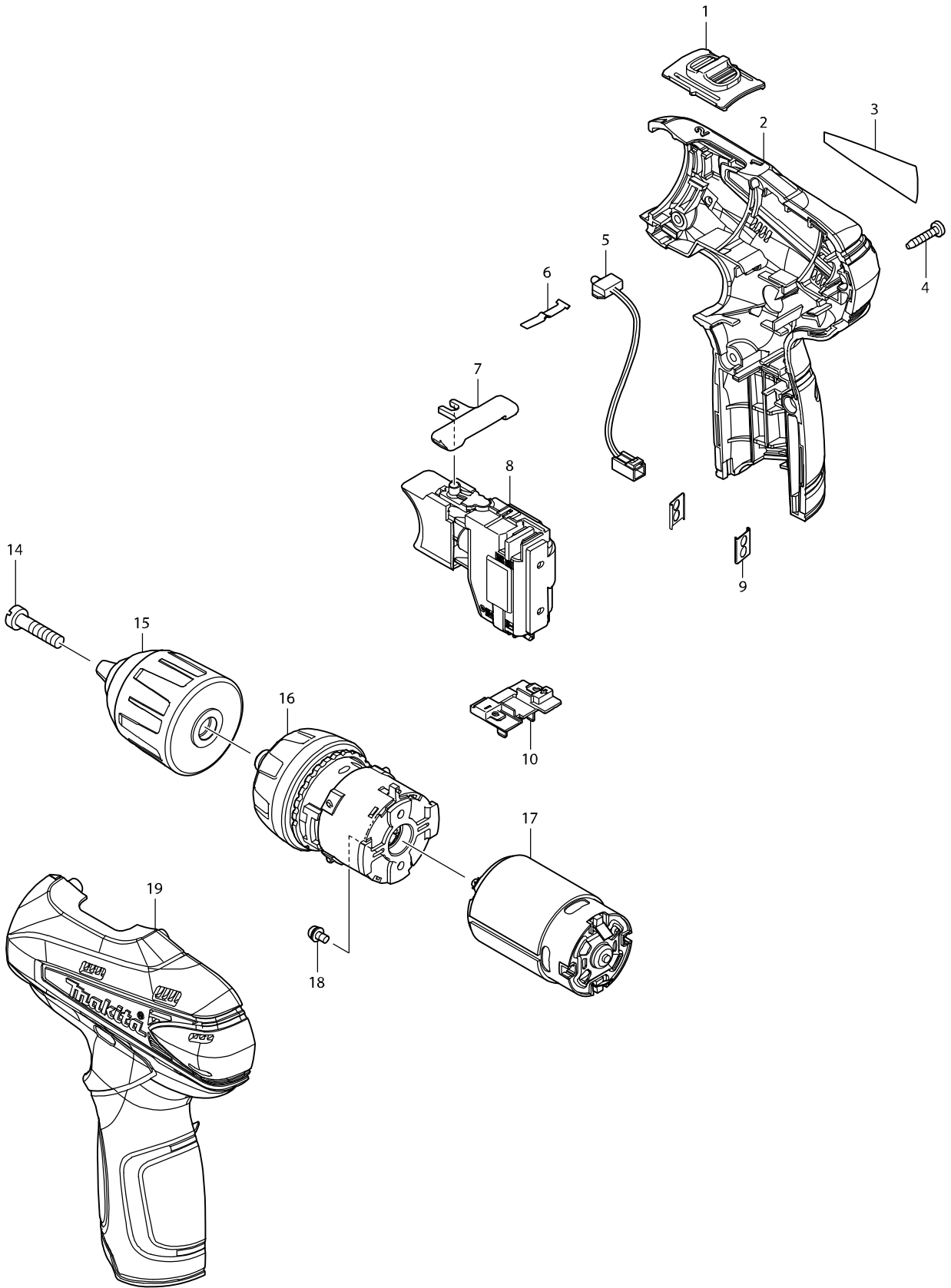


# Model No. DF330D CORDLESS DRIVER DRILL



# Model No. DF330D CORDLESS DRIVER DRILL

Item	Parts No.	Description	I/C	Qty	N/O	Opt. 1	Opt. 2	Note
001A	125461-4	SPEED CHANGE LEVER ASSEMBLY		1	*			
C10	231433-0	COMPRESSION SPRING 4		2	*			
001-1A	126233-0	SPEED CHANGE LEVER ASSEMBLY	<	1				
C10	231433-0	COMPRESSION SPRING 4		2				
001-1B	126233-0	SPEED CHANGE LEVER ASSEMBLY		1				
C10	231433-0	COMPRESSION SPRING 4		2				
002A	188498-2	HOUSING SET		1	*			
D10		INC. 19			*			
002-1A	187147-8	HOUSING SET	X	1	*			
D10		INC. 19			*			
002-2A	187359-3	HOUSING SET	O	1				
D10		INC. 19						
002-2B	187359-3	HOUSING SET		1				
D10		INC. 19						
003	866201-8	DF330D NAME PLATE		1				
004	266130-9	TAPPING SCREW BIND PT 3X16		6				
005A	631813-4	LED CIRCUIT		1	*			
006	232239-9	LEAF SPRING		1				
007	450504-6	F/R CHANGE LEVER		1				
008A	650599-1	SWITCH C3HY-1A-LM		1	*			
008-1A	650645-0	SWITCH C3HY-1A-LF1M	<	1	*			
008-2A	650699-7	SWITCH C3HW-3A-LF1M	X	1				
008-2B	650699-7	SWITCH C3HW-3A-LF1M		1				
009	345998-7	SET PLATE		2				
010	643830-2	TERMINAL		1				
014	251451-2	- PAN HEAD SCREW M5X22		1				
015	766007-3	KEYLESS DRILL CHUCK 10		1	*			
015-1	763228-8	KEYLESS DRILL CHUCK 10	<	1				
016	125539-3	GEAR ASS'Y		1	*			
016-1	123503-8	GEAR ASS'Y	O	1				
017	629853-4	DC MOTOR		1				
018	911003-8	PAN HEAD SCREW M3X6		2				
019A	188498-2	HOUSING SET		1	*			
D10		INC. 2			*			
019-1A	187147-8	HOUSING SET	X	1	*			
D10		INC. 2			*			
019-2A	187359-3	HOUSING SET	O	1				
D10		INC. 2						
019-2B	187359-3	HOUSING SET		1				
D10		INC. 2						
020	533020-4	LEAD ASS'Y		1				
021	533019-9	LEAD ASS'Y		1				
A01	168467-9	HOLSTER		1				
A02	***DC10WA	DC10WA BATTERY CHARGER		1				
A03	194550-6	BATTERY BL1013 SET		2				
A04	784250-2	+ BIT 2-45		1	*			
A04-1	784202-3	PHILLIPS BIT 2-45	O	1				
A05	824781-0	PLASTIC CASE		1				

