

Datasheet

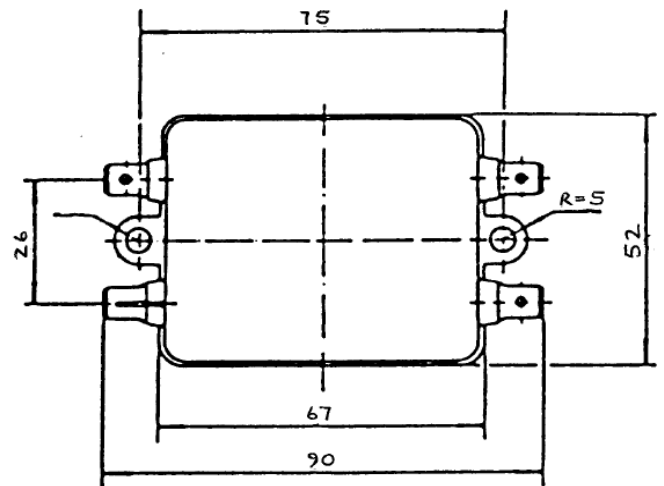
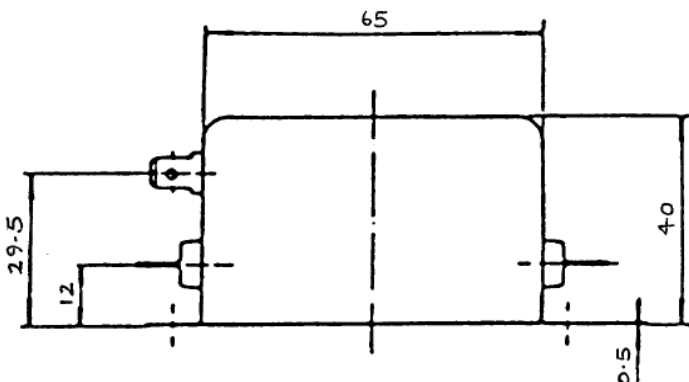
RS Stock number 240-703



Specifications:

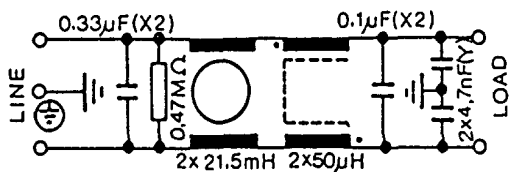
Operating Voltage:	250VAC max.
Temperature Range:	-25°C - +85°C
Rated Current at 40°C:	3.6A
Leakage Current:	max. 2 x 0.45mA
Insulation Resistance: (without bleeder resistor)	min. 6000MΩ at 100Vdc
Test Voltage (100% testing):	P-N 1075Vdc, 1 minute P, N-E 1500Vac, 50Hz, 1 minute
Climate Category:	IEC 68 25/85/21 DIN 40040 HPF
Weight:	400g

Unit:mm



RFI POWER LINE FILTER TYPE S-091-3.6

Two-stage interference filter specially designed to be used in equipment with switched-mode power supply. Available with solderable faston connectors at both ends.



- L₁= 2 x 21.5 mH
- L₂= 2 x 50 µH
- C_{X1}= 0.33 µF
- C_{X2}= 0.1 µF
- C_y = 2 x 4.7 nF
- R= 470 kohm

Insertion loss according to CISPR 17 at rated current

Symmetric

Asymmetric

