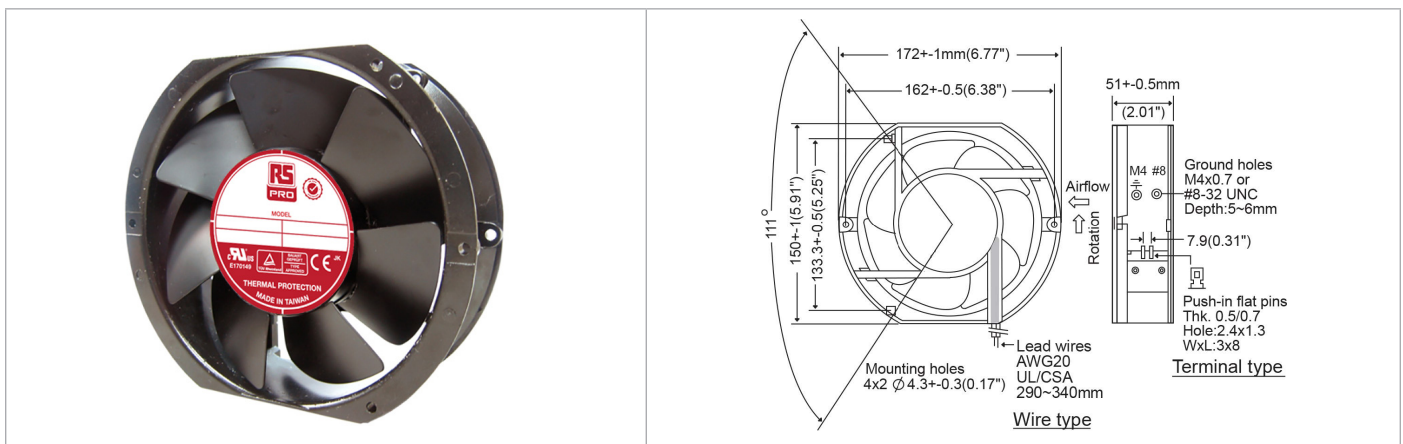




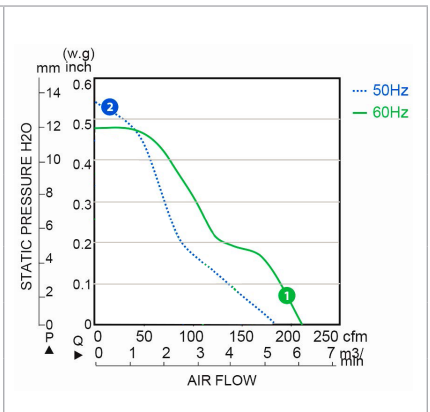
Datasheet

RS PRO AC AXIAL FAN 230VAC 172×150×51mm, ALL METAL IP55

EN



Frame	Diecast Aluminum	<u>Environmental Protection</u> IP55
Impeller	Metal alloy	<u>Operating Temperature</u> -30C ~ +80C
Connection	Terminals or 2x Lead Wires	<u>Storage Temp</u> -40C ~ +100C
Motor	AC Shaded pole, Thermal protection	<u>Life Expectancy</u> 50,000 hours (55C)
Bearing System	Dual ball bearing	Weight: ~ 1.2 kg (2.65 lbs)
Insulation Resistance	>100MOhm at 500VDC	
Dielectric Strength	> 1 min at 1500 VAC, 50/60Hz	



Model Number	175-9787	175-9790
Connection	Wire Leads	Terminals
Speed (RPM)	2750 / 3100	2750 / 3100
Airflow (CFM)	185 / 210	185 / 210
Noise Level (dB)	58	58
Volts AC	230	230
Voltage Range	200-240	200-240
Watts	47 / 42	47 / 42
Max. Static Pressure	0.55" / 0.49 H ₂ O	0.55" / 0.49 H ₂ O
Curves	1 & 2	1 & 2