

Slide Type DIP Switch

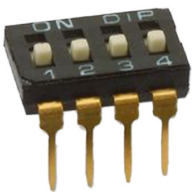
MCNDI Series

multicomp PRO

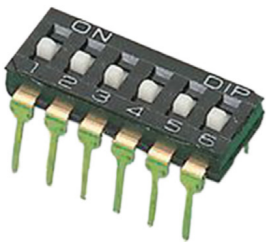
**RoHS
Compliant**



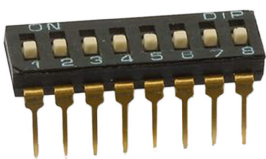
MCNDI-02S



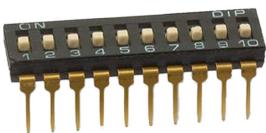
MCNDI-04S



MCNDI-06S



MCNDI-08S



MCNDI-10S

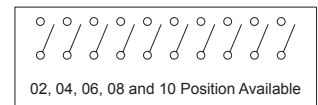
Features

- Low profile for space saving
- Gold contact for high reliability

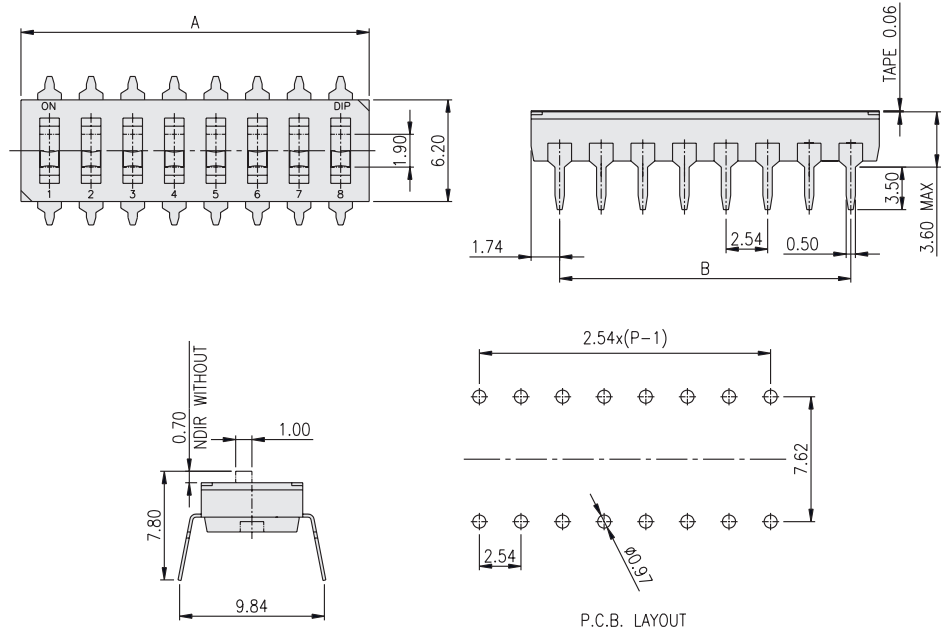
Electrical Specifications

Contact Arrangement	: SPST
Terminal Type	: Splay
No. of Poles	: 2, 4, 6, 8, 10 Pole
Contact Rating	: 25mA, 24VDC
Contact Resistance	: 50mΩ Max.
Insulation Resistance	: 100MΩ Min. 500V DC
Dielectric Strength	: 500V AC/1 minute
Operating Force	: 1,000gf max.
Travel	: 1mm
Operating Life	: 2,000 cycles
Operating Temperature	: -20°C to +85°C
Storage Temperature	: -40°C to +85°C

CIRCUIT



Diagram



Dimensions : Millimetres

Newark.com/multicomp-pro
Farnell.com/multicomp-pro
Element14.com/multicomp-pro

multicomp PRO

Slide Type DIP Switch

MCNDI Series

multicomp PRO

Part Number Table

Description	A	B	Part Number
DIP Switch, Slide Type, 2Pole, SPST, Raised Actuator, Black/White, Splay THT	6.02mm	2.54mm	MCNDI-02S
DIP Switch, Slide Type, 4Pole, SPST, Raised Actuator, Black/White, Splay THT	11.1mm	7.62mm	MCNDI-04S
DIP Switch, Slide Type, 6Pole, SPST, Raised Actuator, Black/White, Splay THT	16.18mm	12.7mm	MCNDI-06S
DIP Switch, Slide Type, 8Pole, SPST, Raised Actuator, Black/White, Splay THT	21.26mm	17.78mm	MCNDI-08S
DIP Switch, Slide Type, 10Pole, SPST, Raised Actuator, Black/White, Splay THT	26.34mm	22.86mm	MCNDI-10S

Important Notice : This data sheet and its contents (the "Information") belong to the members of the AVNET group of companies (the "Group") or are licensed to it. No licence is granted for the use of it other than for information purposes in connection with the products to which it relates. No licence of any intellectual property rights is granted. The Information is subject to change without notice and replaces all data sheets previously supplied. The Information supplied is believed to be accurate but the Group assumes no responsibility for its accuracy or completeness, any error in or omission from it or for any use made of it. Users of this data sheet should check for themselves the Information and the suitability of the products for their purpose and not make any assumptions based on information included or omitted. Liability for loss or damage resulting from any reliance on the Information or use of it (including liability resulting from negligence or where the Group was aware of the possibility of such loss or damage arising) is excluded. This will not operate to limit or restrict the Group's liability for death or personal injury resulting from its negligence. Multicomp Pro is the registered trademark of Premier Farnell Limited 2019.

Newark.com/multicomp-pro
Farnell.com/multicomp-pro
Element14.com/multicomp-pro

multicomp PRO