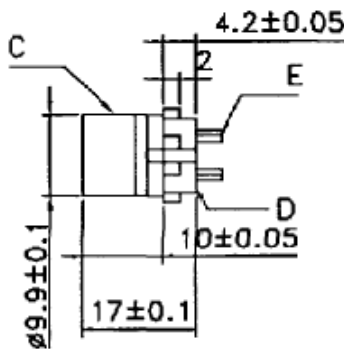
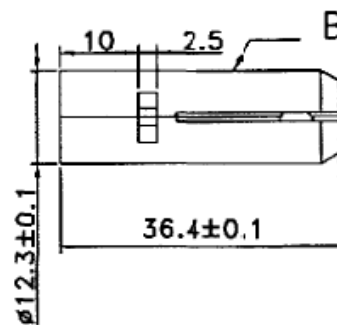
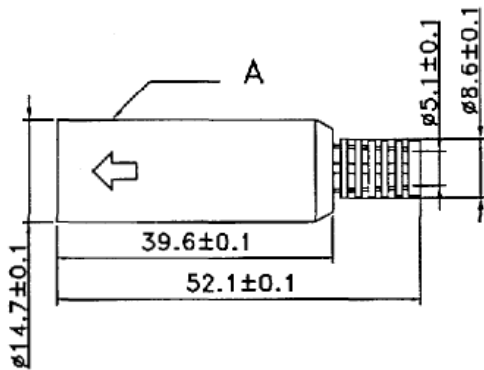


Datasheet

8 Pole Female Miniature DIN Connector, MDN Series , 50 V ac/dc, 1A

RS Stock number [463-439](#)

Drawing (mm):



Materials:

- A.Boot: PVC
- B.Middle Hood: ABS
- C.Metal Part: Copper, nickel plated
- D.Insulator: PBT or Nylon + 30% Fibre reinforced (UL94V-0)
- E.Contact Material: Brass compound or brass alloy

Specifications:

- Rating: 100V ac 1A
- Insulation Resistance: 50M ohm Min.
- Resistance: 50M ohm/500V DC
- Dielectric: 500V ac/1 minute
- Temp range: -25 to +85
- Applicable Wires: AWG 28 to 30