


Datasheet

Stock No: 179-2937, 179-2938, 179-2939, 179-2940, 179-2941
Analogue Dial On Delay Timer

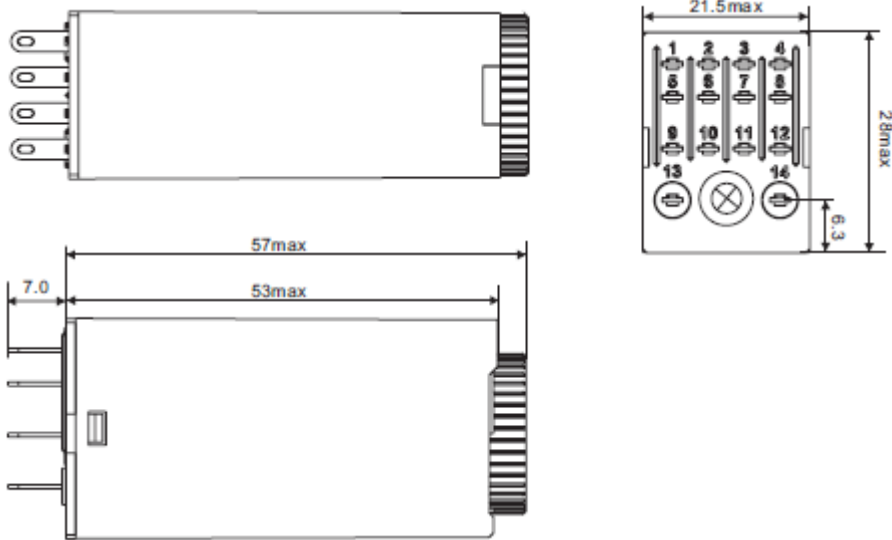


Specifications:

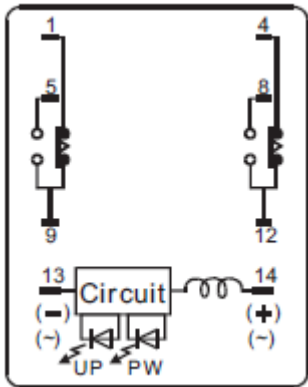
- 8 pin plug-in
- Analogue Dial Display
- On Delay timer

RS Stock No	179-2937	179-2938	179-2939	179-2940	179-2941
Specification					
Supply Voltage	110Vac				
Operating Voltage Range	Rated voltage 85-110% (90%-110% is DC12V)				
Power consumption	3.5W				
Timing Function	On Delay				
Timing Range	0.1s – 1s	0.2s – 5s	0.5s – 10s	1s – 30s	2s – 60s
Contact	Configuration	DPDT (2C)			
	Rated Current AC-1	5A @ 250VAC (p.f. =1)			
Repetitive Error	±2% (FS max.)				
Setting Error	±5% (FS max.)				
Voltage Error	±2% (FS max.)				
Temperature Error	±2% (FS max.)				
Resetting Time	Min.time: 0.2 sec				
Insulation resistance	100MW (DC500V)				
Dielectric strength	Between current-carrying and Non-current-carrying parts 2000V 50/60Hz min				
	Between control output terminals and operating circuit 1500V 50/60Hz min				
	Between contacts 1000V 50/60Hz min				
Vibration Resistance	Destruction	10~55Hz with 0.75mm single amplitude each in 3 directions for 2 hours each			
	Malfunction	10~55Hz with 0.5mm single amplitude each in 3 directions for 10 minutes each			
Shock Resistance	Destruction	30G			
	Malfunction	10G			
Life Expectancy	Electrical Life	> 10 ⁷ (under no load, at 1,800 operations/hour)			
	Mechanical Life	> 10 ⁵			
Ambient temperature	-10°C~55°C				
Ambient humidity	35~85%RH				
Mounting	8 Plug-in				
Unit Weight	Approx.60g				
Certification					

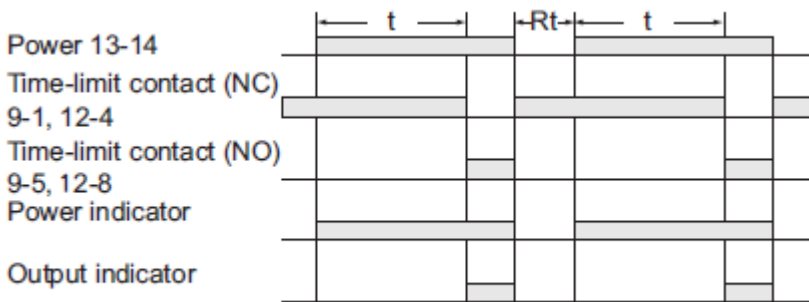
Mounting Dimensions (mm)



Connection Diagram



Timing Diagram



NOTE: t : set time, R_t : reset time