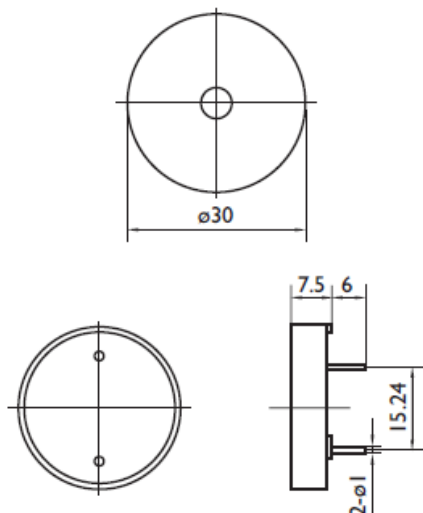


Datasheet

Piezo Buzzer

RS Stock number [780-0731](#)

Dimensions(mm):



Specifications

Operating voltage	1-30Vp-p
Rated voltage	10Vp-p
Rated current*	≤3mA
Sound output at 28KHz at 10cm	≥90dB
Resonant frequency	2800±500Hz
Lead pin material	Red copper
Operating temperature	-20°~+60°C
Storage temperature	-30°~+70°C
Weight	2g

*Value applying at rated voltage (DC)

Features:

- ROHS Compliant
- Low profile piezo transducer
- Housing material: ABS
- Requires additional circuitry to produce a tone
- 15.24mm pcb pin spacing
- Low current consumption

All data at 25°C unless otherwise specified