



ENGLISH

Datasheet

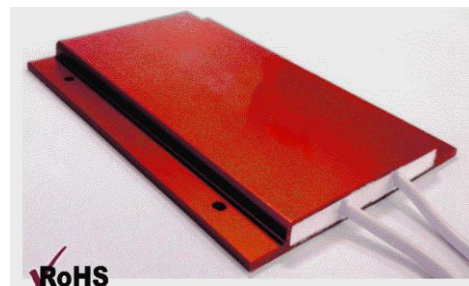
RS Pro Low Profile Resistor

RS Stock No. from 1852366 to 1852421 (see below)

Product details :

50 Watt Low Profile Power Resistor suitable for multiple industries & applications including-

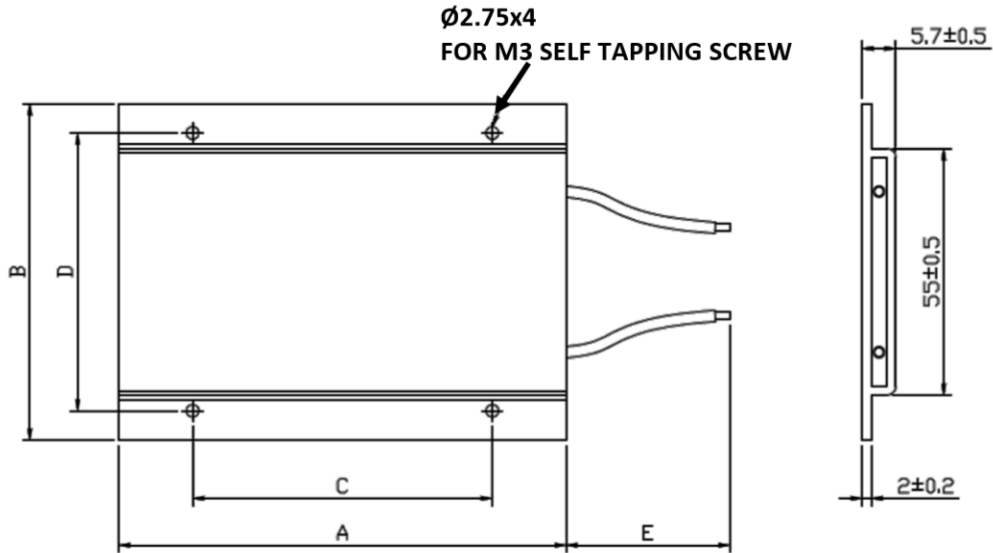
- EV's.
- Power Supplies.
- Control devices.
- Robotics.



Specifications :

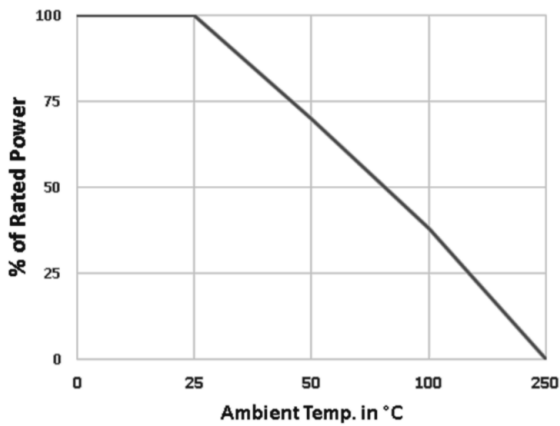
Rated Power	With Heatsink	Free Air
	50W	25W
Resistance Range	3.3Ω to 1KΩ	
Tolerance	5%	
Insulation Resistance	>100MΩ	
Short Term Overload	5 times Rated Power for 5 Seconds	
Dielectric Strength	2500VAC RMS For 60 Seconds	
Recommended Heatsink	300mm(W) x300mm(L) 3mm(H)	
Operating Temperature	-25°C to 250°C	

Dimensions in mm :

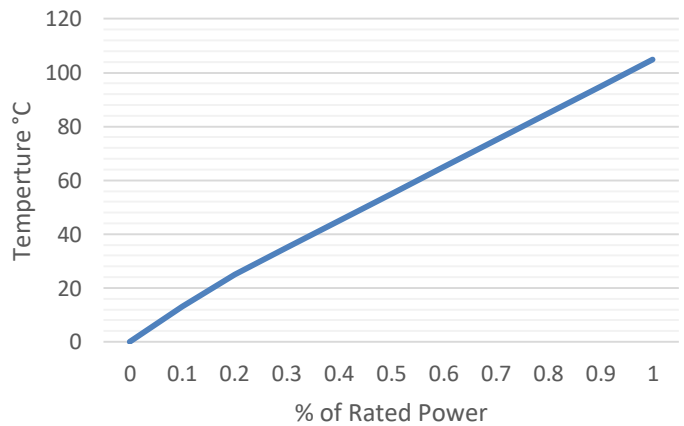


Series	A Max	B Max	C±0.2	D±0.2	E±5.0
RSLPR50	50	75	30	62	200

Derating Curve :



Temperature Rise Curve (With Heatsink)



RS Stock No.	Rated Power	Resistance Value
1852366	50W	100R J
1852367	50W	10R J
1852368	50W	120R J
1852369	50W	12R J
1852370	50W	13R5 J
1852371	50W	15R J
1852372	50W	180R J
1852373	50W	18R J
1852374	50W	20R J
1852375	50W	220R J
1852376	50W	22R J
1852377	50W	24R J
1852378	50W	25R J
1852380	50W	270R J
1852381	50W	27R J
1852382	50W	30R J
1852383	50W	330R J
1852384	50W	33R J
1852386	50W	39R J
1852387	50W	3R3 J
1852388	50W	3R9 J
1852389	50W	40R J
1852390	50W	430R J
1852392	50W	470R J
1852393	50W	5R J
1852394	50W	5R6 J
1852395	50W	68R J
1852396	50W	6R J
1852397	50W	6R8 J
1852398	50W	820R J
1852399	50W	82R J
1852400	50W	8R J
1852401	50W	8R2 J
1852410	50W	150R J
1852411	50W	1K J
1852412	50W	47R J
1852413	50W	4R J
1852415	50W	4R7 J
1852416	50W	500R J
1852417	50W	50R J
1852418	50W	560R J
1852419	50W	56R J
1852421	50W	680R J