



Professionally approved products.

Product Datasheet

RS-E0142 fume extraction unit

EN





RS, Professionally Approved Products, gives you professional quality parts across all products categories. Our range has been testified by engineers as giving comparable quality to that of the leading brands without paying a premium price.

RS-E0142 fume extraction unit

The RS-E0142 is our cost effective high vacuum extraction system for professional applications.

Robust design and high efficiency filtering system guarantee long life and best in class noise level

The RS-E0142 is smallest in the high vacuum extraction for hand solder applications. Design specifically for portability and extremely low noise levels.

The RS-E0142 high vacuum extraction system is designed to extract and filter fumes and debris through small bore hoses and attachments. Ideally suited for soldering iron tip extraction, vac pens and any application requiring close proximity, micro extraction.

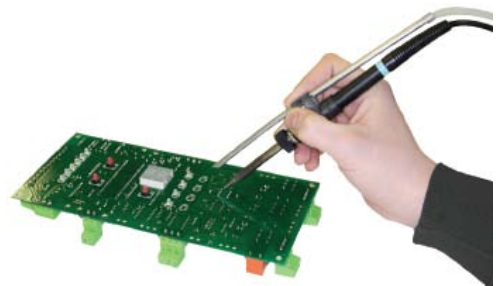
Standard features:

- Compact design
- High vacuum pumps
- Low noise level
- 3 stage filtration



Technical data

- Dimensions (HxWxD): 250 x 171 x 171 mm
- Cabinet construction: Powder coated mild steel
- Flow rate with filters fitted (per tip): 20-24 L/M
- Electrical data: 230v 1ph 50/60Hz
- Full load current: 0.25amps / 40w
- Noise Level: < 48dBA at typical operating speed.
- Weight: 5kg
- Pre filter efficiency: F7 (85% @ 0.8 microns)
- HEPA filter efficiency: 99.997% @ 0.3 microns
- Gas filter treated: Activated carbon





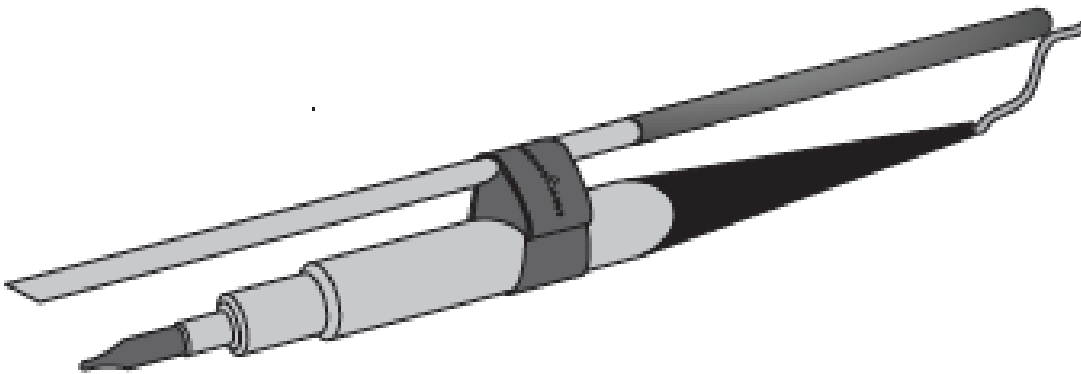
Typical Applications:

- Soldering
- Tip soldering
- Rework
- Lead free

Package Includes:

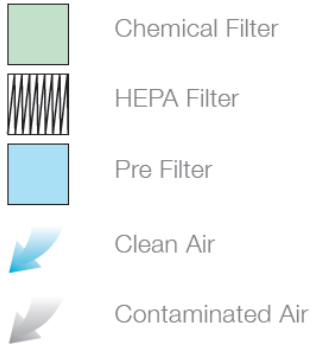
- RS-E0142 extraction unit
- 1 x Pre filter pad
- 1 x Combined HEPA/Gas filter
- 1 x Power cable

Optional Tip Extraction Iron Kit:



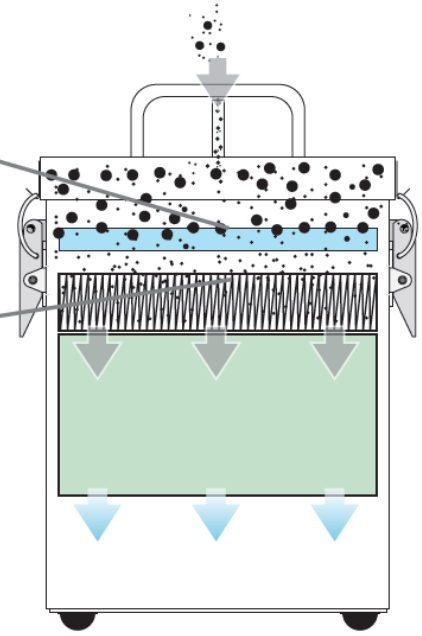


AIRFLOW THROUGH FILTERS

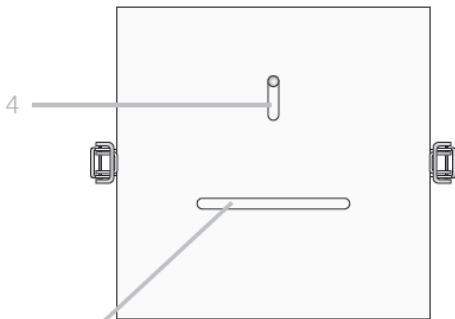


Medium sized particulate held in the filter media

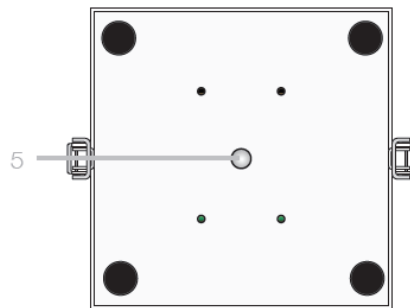
Small particulate is held in the HEPA filter



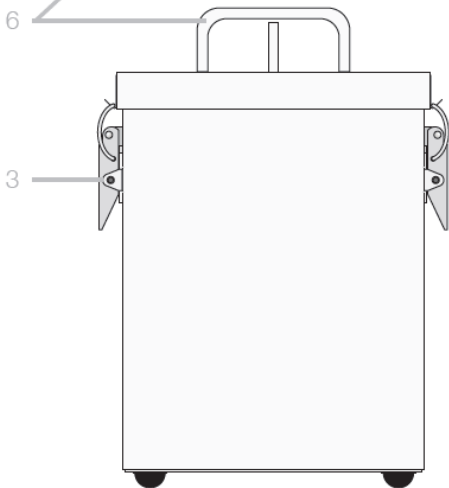
TECHNICAL SPECIFICATION



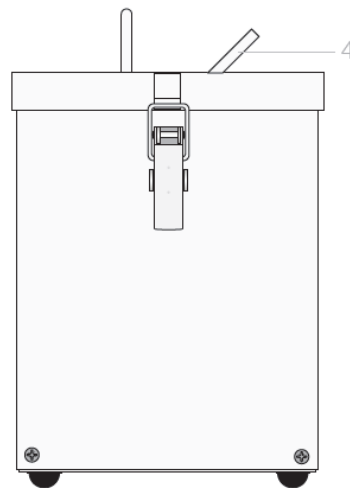
Top



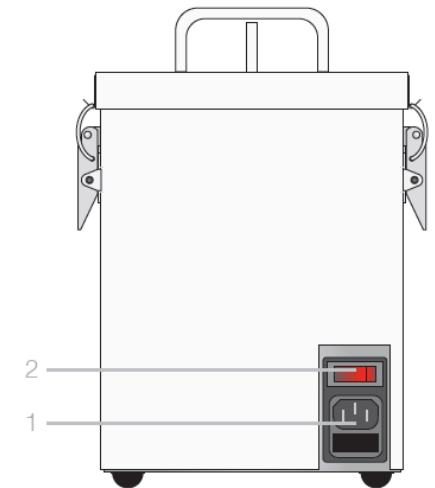
Bottom



Front



Side



Back

- 1 Power Inlet
- 2 On / Off Switch
- 3 Filter Latch
- 4 Hose Inlet Connection - 6mm
- 5 Exhaust Outlet
- 6 Handle



Wide range of value for money fume extraction systems

Volume range



Tip range



Cabs



Accessories

