

Datasheet

RS Pro Wedge Filament Indicator Lamp, Clear, 14 V, 190 mA, 4000h

RS Stock No: **106-436**



Product Details

RS Pro wedge filament indicator lamp comes with clear lens and T-3 1/4 (10mm) wedge base filament indicators, specifically intended for illumination in confined spaces. It has a voltage rating of 14 V and current rating of 190 mA. The lamp has 4000 h life. The lamp is suitable for use in a wide variety of applications such as push button micro switch indicators.

Features and Benefits

- Voltage rating of 14 V
- Current rating of 190 mA
- 4000 hours lifetime

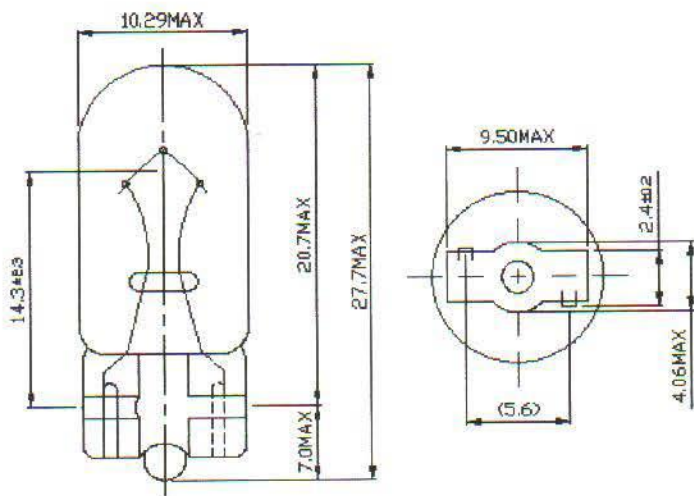


Specifications:

Current Rating	190 mA
Diameter	10.29 mm
Lamp Base	Wedge
Lamp Size	T3 1/4
Length	27.7 mm
Lens Colour	Clear
Life Hours	4000 h
Luminosity	12.6 lm
Voltage Rating	14 V

RS Stock No.	106436
--------------	--------

DRAWING - I



Unit : mm

1. Structure	Bulb Type	T3 1/4 Clear
	Bulb Diameter	Ø10.29Max.
	Length	27.7Max
	Base Type	Wedge Base
2. Design Characteristics	Voltage	14V
	Amperage	190mA±10%
	Filament Type	Vacuum type
	Luminous Flux	12.6Lm±20%
	Life Hours	4,000Hrs