

## FEATURES

- M12, 5-pole , Male to Female

# RS PRO M12 MALE REAR M16X1.5MM THREADS TO M12 FEMALE 5 PIN CONVERTER

RS Stock No.: 2055988



RS Professionally Approved Products bring to you professional quality parts across all product categories. Our product range has been tested by engineers and provides a comparable quality to the leading brands without paying a premium price.

# RS PRO M12 MALE TO FEMALE CONVERTER

## Product Description

Sensor/actuator control cabinet feed-through, male to female, 5-Pole, M12, shielded, A-coded, bipolar/screw mounting with M16 thread.

- IP67 Protection
- 4A Rated current at 40°C
- $\geq 100\text{M}\Omega$  Insulation resistance
- -25 to 85°C Operating temperature range

**Application:**-Communications & Networking, Sensing & Instrumentation, Industrial

## General Specifications

Rated Operational Voltage	60 V
Current Rating	4A
Insulation Resistance	$\geq 100\text{M}\Omega$
Temperature Range	-25°C ... +75°C
Coding	A-Coded
Mounting	Bipolar/Screw Mounting M16 x 1.5
Degree of Pollution	3
Matting Cycles	>100

## Material Specifications

Contact	Cu-Zn
Contact Plating	Gold Flash
Contact Carrier	Nylon 66
O-Ring	NBR
Housing	Nickel Plated Brass
Pole	5
Coupling Nut	Nickel Plated Brass

## Protection Category

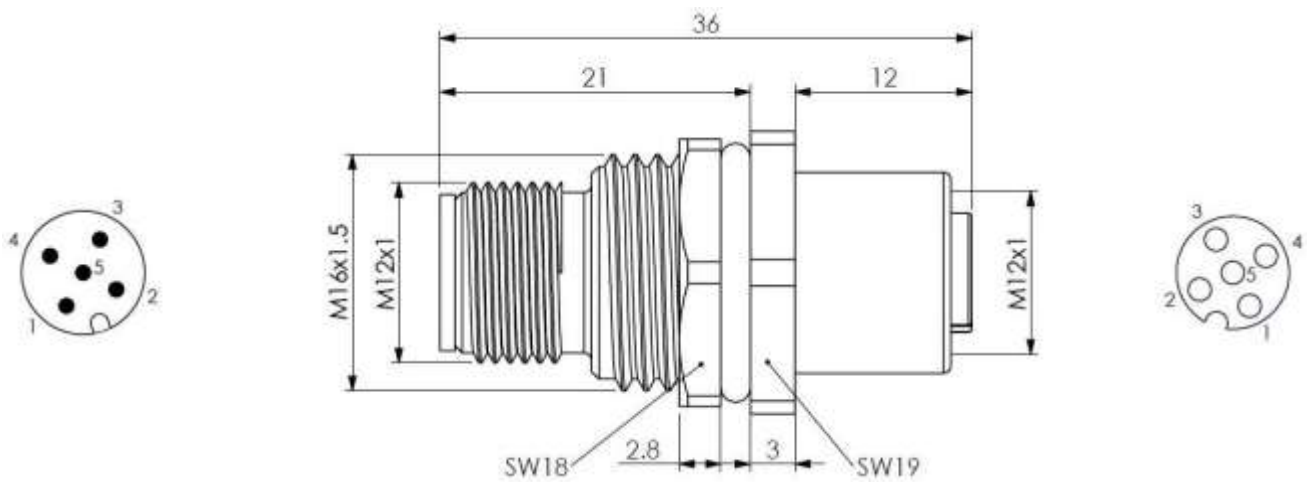
Degree of Protection	IP67
----------------------	------

# RS PRO M12 MALE TO FEMALE CONVERTER

## Additional Information

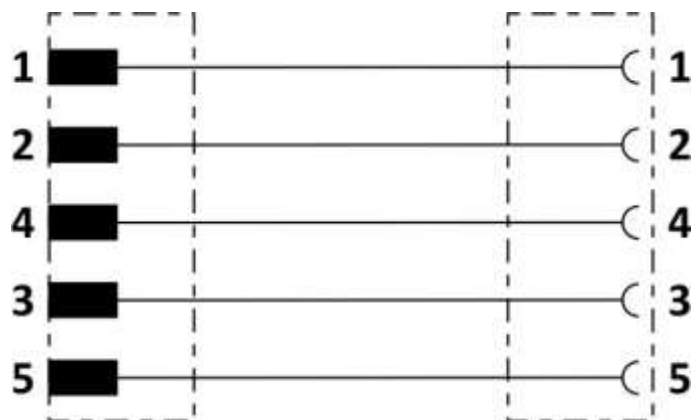
Custom Tariff Number

85369090



All Dimensions are in mm.

## Circuit Diagram



Contact assignment of the M12 plug and the M12 socket.