

Datasheet

Stock No: 1792907, 1792908, 1792909, 1792910

RS Pro New TCN. Digital Time Relay. Thumbwheel cont



Specifications:

- 8 pin plug-in
- Digital Display
- 100-240Vac Supply

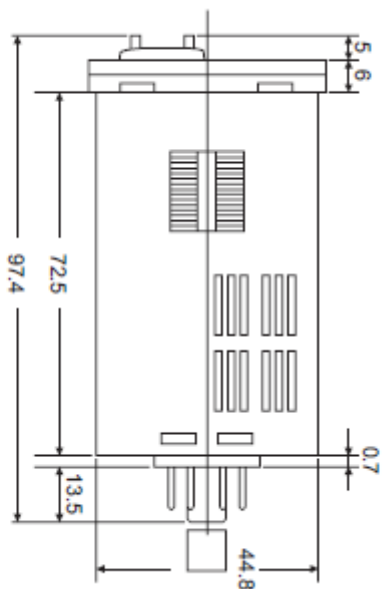
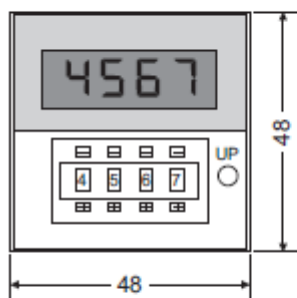


ENGLISH

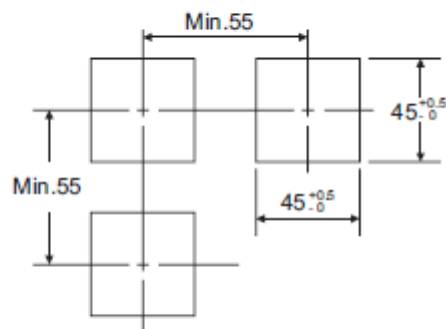
RS Stock No	1792907	1792908	1792909	1792910
Specification				
Supply Voltage	100-240Vac			
Operating Voltage Range	85~110% of rated supply voltage			
Display type	Numeric down display			
Timing Function	Power On-Delay			
Max Timing Range	99.99s	999.9s	99m 59s	99h 59m
Power Consumption	Approx.4W (AC 240V 50Hz)			
Contact	Configuration	SPDT (1C)		
	Rated Current AC-1	5A @ 250VAC (p.f. =1)		
Repetitive Error	±0.01%±50ms			
Setting Error				
Voltage Error				
Temperature Error				
Resetting Method	Power-off, external and self-reset			
Resetting Time	Max 0.5s			
Insulation resistance	100MW min. (at 500VDC) between current-carrying terminal and exposed noncurrent Carrying metal parts, between power supply circuit and control output circuit			
Shock Resisance	Destruction	10~55Hz with 0.75mm single amplitude each in 3directions for 2 hours each		
	Malfuction	10~55Hz with 0.5mm single amplitude each in 3 directions for 10 minutes each		
Vibration Resistance	Destruction	20G		
	Malfuction	10G		
Life Expectancy	Electrical Life	> 10 ⁷ (under no load, at 1,800 operations/hour)		
	Mechanical Life	> 10 ⁵ (AC 250V, 5A)		
Mounting	8 Plug-in			
Unit Weight	Approx.200g			
Certification				

Mounting Dimensions (mm)

Unit: mm

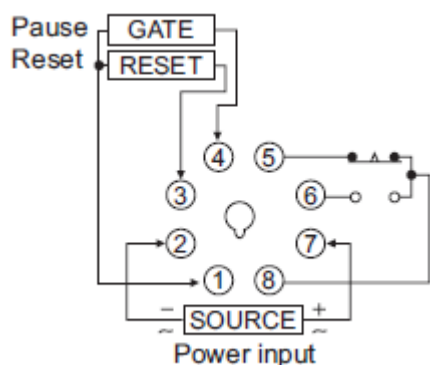


Panel Cutout



Note: Recommended panel 1-3.2mm.

Connection Diagram



Timing Diagram

