

Features

- 5M image sensor and professional microscopic lens
- Manual focus from 0mm to 150mm
- Build-in 8 LEDs for adjustable brightness which is adjusted by control wheel
- Designed with a wide magnification ratio of 20x to 200x (optical zoom).
- Bundle software CapturePlus for Windows7/8/10, Mac 10.12 or later
- Easy to use, install the software, plug into your device and you can explore the object with microscope camera

RS PRO USB DIGITAL MICROSCOPE 5M

RS Stock No.: 196-4075



RS Professionally Approved Products bring to your professional quality parts across all product categories. Our product range has been tested by engineers and provides a comparable quality to the leading brands without paying a premium price.

Product Description

The RS PRO Digital Microscope is great for examination of surfaces on all kinds of objects. Its portable size allows you to easily carry to capture image content easily. It is perfect for students, collectors, hobbyists, testers etc. to explore the microscopic world.

General Specifications

Microscope Size	110 x 33 mm
Stand Size	165 x 118 x 12 mm
Weight	90g (with battery)
Accessories	CD Stand Manual

Electrical Specifications

Image Sensor	5M
Capture Resolution	2592x1944 / 2320x1744 / 2048x1536 / 1920x1080 / 1280x1024
Video Format	AVI
Photo Format	JPEG
Magnification	20x~200x
Light Sources	8 LEDs with adjustable brightness
PC Interface	USB 2.0
Power Sources	5V DC from USB port
Operating System	Win 7/8/10 Android 4.0 and later
Bundle Software	Win/Mac: PortableCapture Plus with measurement Android: TinyScope Download at www.cameradownload.net .

Additional Information

Custom Tariff Number	9012100000
----------------------	------------

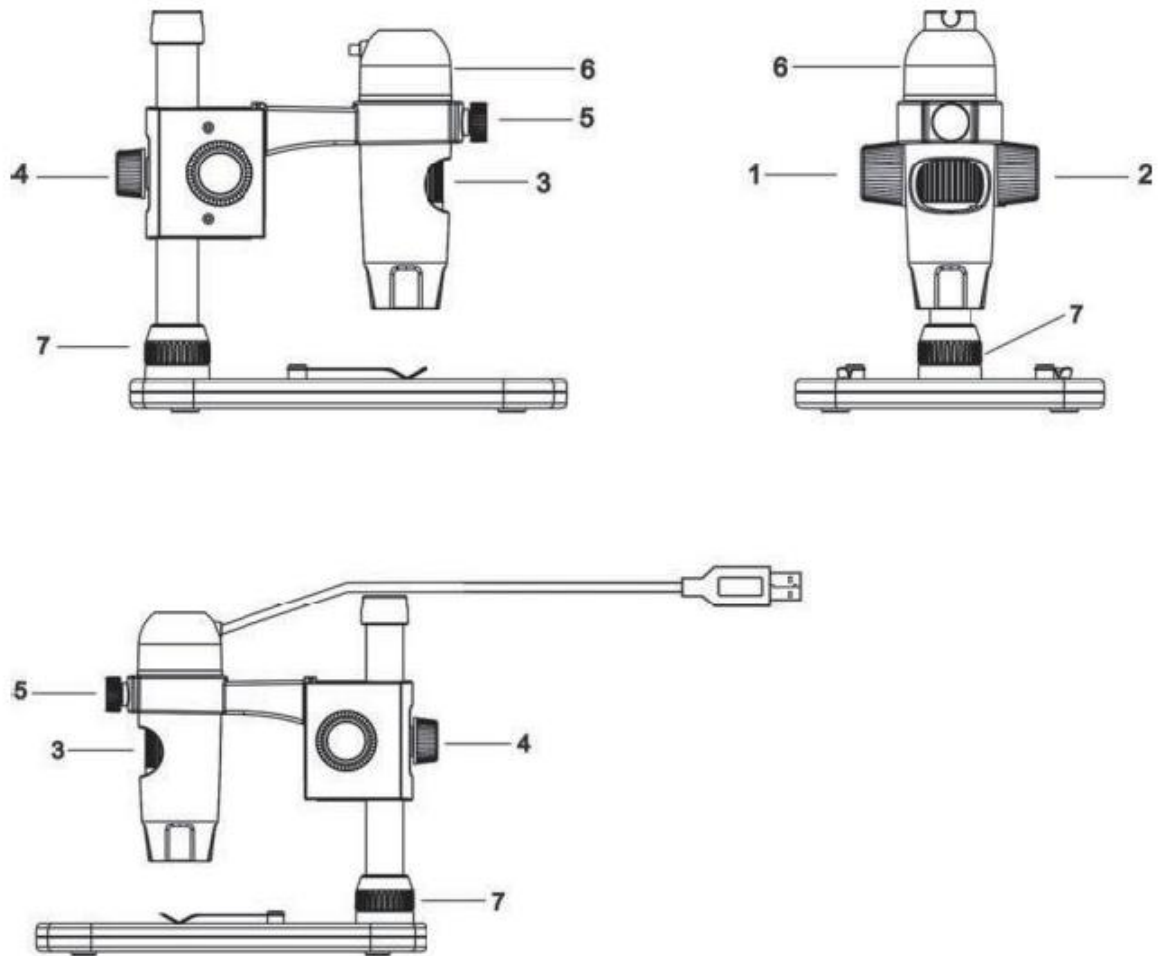
Approvals

Standards Met	CE, FCC, RoHS
---------------	---------------

Similar Products

Stock No.	Brand	Product Name
1964074	RS PRO	USB DIGITAL MICROSCOPE 2M
1964076	RS PRO	3.5" LCD DIGITAL MICROSCOPE 5M
1964077	RS PRO	3" LCD DIGITAL MICROSCOPE 5M
1964079	RS PRO	1080P WIFI DIGITAL MICROSCOPE

Parts Name



- 1) - Rotate to lock the movement
- 2) - Move the microscope up and down
- 3) - Rotate to adjust focus
- 4) - Fix the movement part on to the metal pole
- 5) - Hold the microscope in the ring
- 6) – Adjust LED brightness
- 7) - Fix the metal pole on the stage

