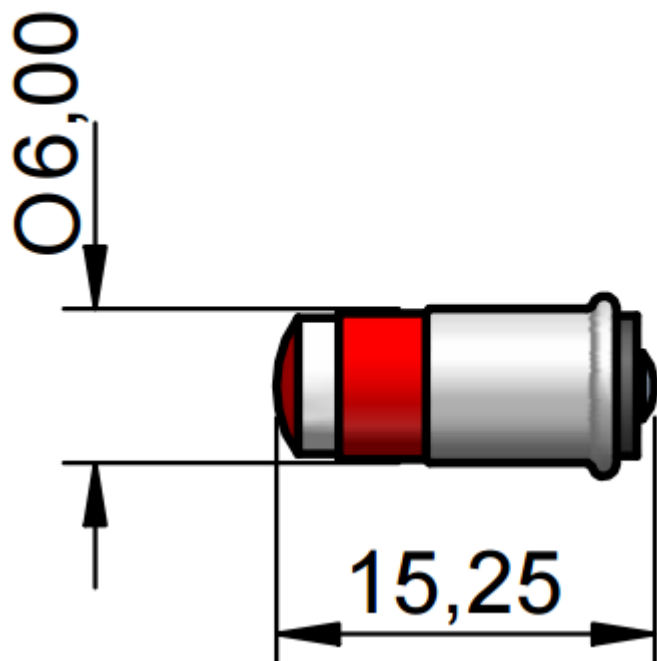


Datasheet

LED Indicator Lamp

RS ITEM NO 209-973



LED/Multiled	<i>Multi LED</i>	Optimum voltage (V)	<i>24vdc</i>	Intensity	<i>45mcd</i>
Mounting Size		Rectifier			
Mounting Finish		AC current			
Protection		DC current	<i>15mA</i>		
Mount Holder	<i>T1 ¼ Midget Flange</i>	Voltage Tolerance(%)	<i>10%</i>		
Chip Qty	<i>6</i>	Optimum temperature (°C)	<i>-30°C...+60°C</i>		
Indicator colour	<i>Red</i>	Storage temperature (°C)	<i>-30°C...+60°C</i>		
Wavelength (nm)	<i>635</i>	Contact Tab x 2	<i>Midget Flange Base Cap</i>		



*Dimension in mm (typical), not to scale.
We reserve the right to make changes without further notice to this product to improve reliability, function or design.*