

## FEATURES

- 4 mm male banana plug
- Nickel plated contact
- Side stackable plug for the ability to maximise the use of space
- Keeps your cables and equipment safe
- Voltage rating: 50V
- Current rating: 16A
- PVC insulation material to ensure a strong and durable plug

# RS PRO Banana Plugs & Connectors – 4mm Banana Plug Green

RS Stock No.: 2121233



RS Professionally Approved Products bring to you professional quality parts across all product categories. Our product range has been tested by engineers and provides a comparable quality to the leading brands without paying a premium price.

## Product Description

This side stackable plug has a screw connection for the lead wire and a push-on pliable PVC moulding. The conductor and outside diameter cable entry sizes are designed to suit PVC or silicone rubber flexible test cables up to 2,5mm<sup>2</sup>.

## General Specifications

<b>Type</b>	Bunch Pin Side Stackable Plug
<b>Colour</b>	Green
<b>Gender</b>	Male
<b>Contact Material</b>	Brass
<b>Contact Plating</b>	Bright Nickel Over Copper

## Electrical Specifications

<b>Voltage Rating</b>	50V
<b>Current Rating</b>	16A
<b>Termination Method</b>	Screw
<b>Insulation Material</b>	PVC

## Mechanical Specifications

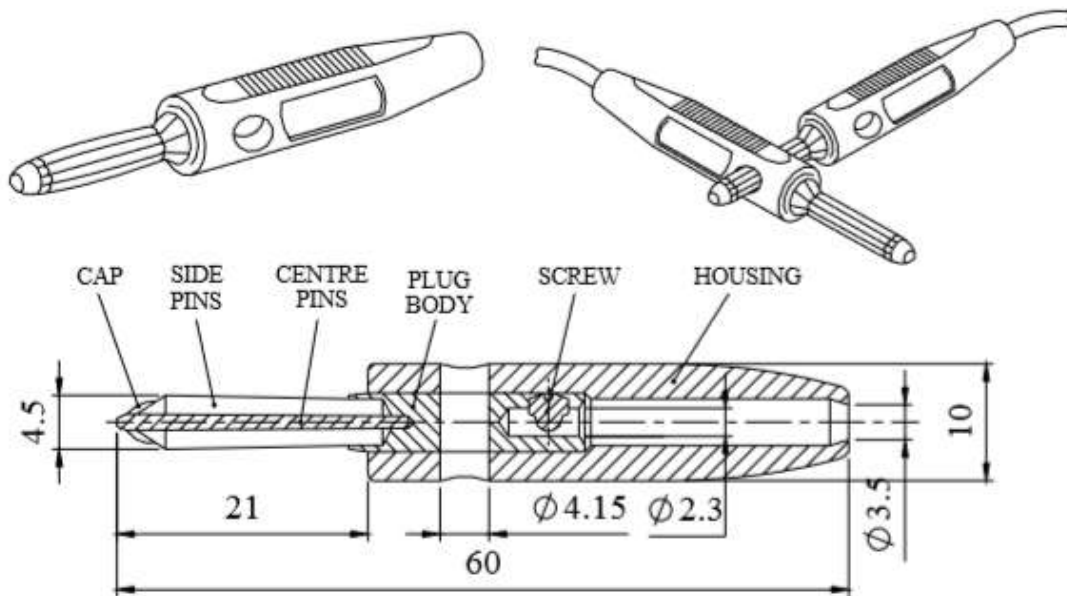
<b>Length</b>	60mm
---------------	------

## Approvals

<b>Declarations</b>	RoHS Certificate of Compliance
---------------------	--------------------------------

## Similar Products

Parameters	1806641	1806642	1806643	1806644
<b>Brand</b>	<b>RS PRO</b>	<b>RS PRO</b>	<b>RS PRO</b>	<b>RS PRO</b>
<b>Type</b>	Standard Banana Plug	Standard Banana Plug	Panel Mounting Socket	Panel Mounting Socket
<b>Colour</b>	Black	Red	Black	Red
<b>Gender</b>	Male	Male	Female	Female
<b>Voltage Rating</b>	50V	50V	50V	50V
<b>Current Rating</b>	10A	10A	10A	10A
<b>Termination Method</b>	Solder	Solder	Solder	Solder
<b>Insulation Material</b>	Acetal-LG	Acetal-LG	Polypropylene	Polypropylene
<b>Length</b>	43.8mm	43.8mm	28.5mm	28.5mm
<b>Maximum Panel Thickness</b>			13.5mm MAX	13.5mm MAX



BUNCH PIN SIDE STACKABLE PLUG

<b>MATERIAL</b>	
INSULATING SHELL	POLYPROPYLENE
SOCKET	BRASS, SILVER PLATED
NUT	BRASS, NICKEL PLATED
<b>ELECTRICAL</b>	
RATED CURRENT	10A
RATED VOLTAGE	50V
NOMINAL WORKING VOLTAGE	250 VOLTS R.M.S
CONTACT RESISTANCE	10mΩ
TEMPERATURE	+147°C to -20°C
RECOMMENDED TEMPERATURE	10A @ 55°C
<b>MECHANICAL</b>	
RECOMMENDED TORQUE	0.4Nm MAX
RECOMMENDED PANEL THICKNESS	13.5mm MAX