

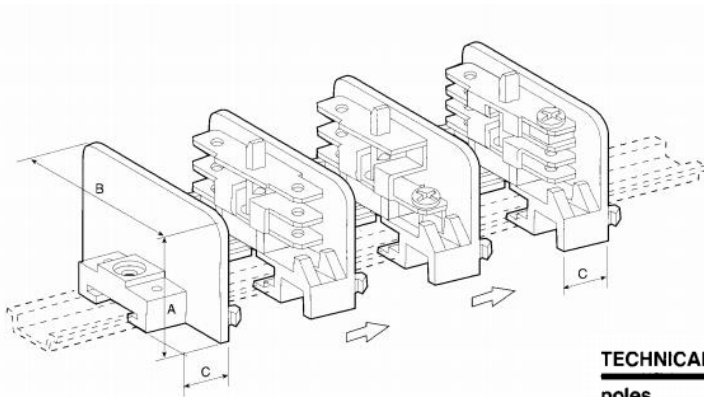
Datasheet

End plate for 1 pole barrier strip

RS Stock 425-437



Dimensions(mm):



TECHNICAL DATA

poles	1		
rating	16A-380V		
dimensions	A	B	C
[mm]	29	38	11
housing	white polyamide 6 self-extinguishing to CEI 23-20, UL 94 V ₂ and IEC 695-2-1 to 850 °C		
temperature	125 °C		
metal parts	zinc passivated steel		
suitable configurations			
screw/tab to 4 tabs	PA 80 VF/F		
screw to 3 tabs	PA 80 V/F		
3 tabs to 3 tabs	PA 80 F/F		
end plate	PA 81		