

Datasheet

3 Cup Suction Lifter, 80kg

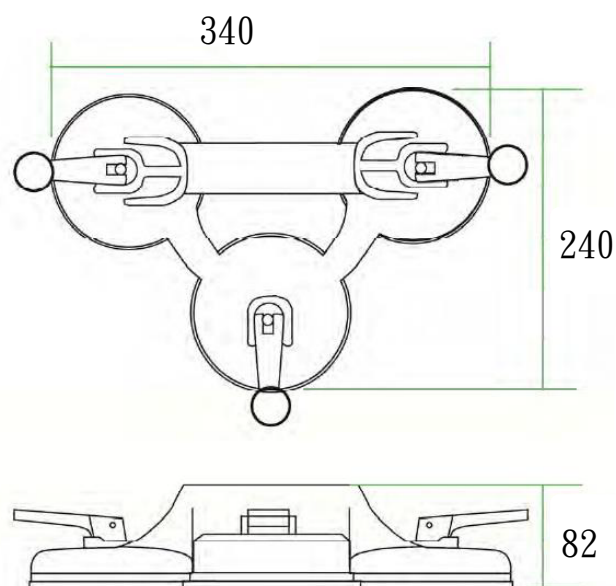
RS Stock number [285-383](#)



Specifications:

- Great for lifting glass, pulling dent, and handling glass, sheet metal material.
- 80kg maximum lifting capacity in level.
- With Three 123mm in diameter suction pad.
- Suction cup handle made with durable Aluminium material for strong grip.

Dimension:



Unit:mm