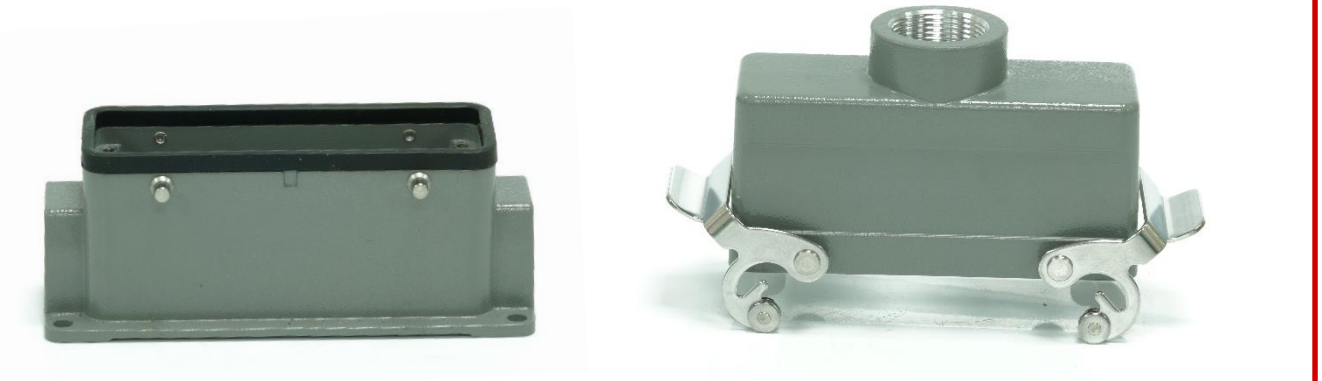


## Datasheet

# RS PRO H24B Heavy Duty Housing



The RS Pro Heavy-Duty Connector series is a full range of heavy-duty inserts, housings, crimps and accessories. The housing is produced from corrosion resistant powder coated die cast Aluminium with locking levers made from galvanized Iron. These offer IP65 protection and come in standard or tall variations with both single and double locking options. The inserts are all made from Polycarbonate to industry standard sizes and are available in a choice of screw, crimp or spring clam terminations in a large variety of current ratings. The entire range of connectors are RoHS compliant and as with all RS Pro products, offer exceptional value for money.

## Features & Benefits:

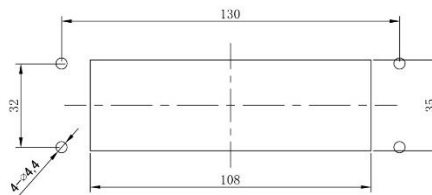
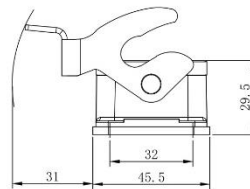
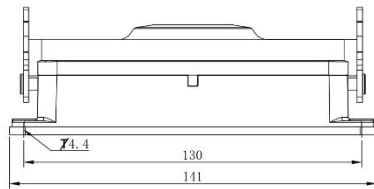
- Zinc Die Cast Housing
- Powder Coated Surface
- IP65
- For use with PG or M style Cable Glands
- Fits RS Pro Heavy Duty Inserts

## Quality Standards

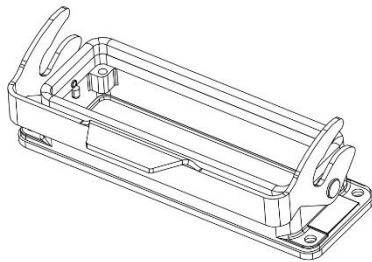


# Dimensional line drawings

## H24B Bulkhead Mount 1 Locking Lever 208-3958



Panel cut out

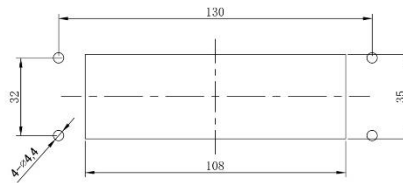
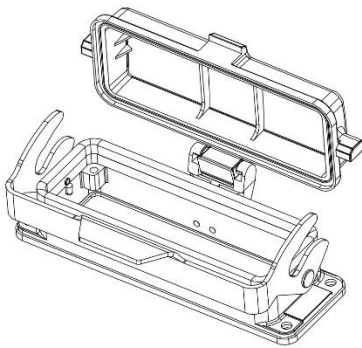
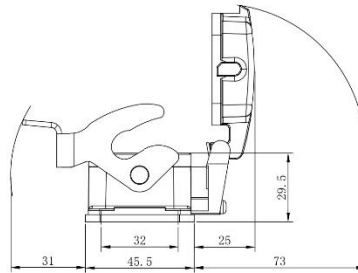
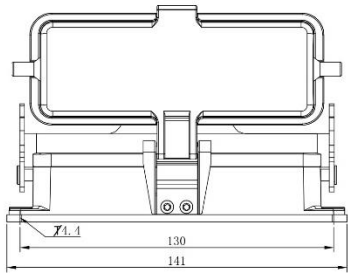


- Technical specification:
- Material: Aluminium die-cast
  - Surface: powder-coated
  - Colour: (grey)
  - Temperature range: -40°C - +125°C
  - Degree of Protection: IP65 (acc.to IEC 60529 for coupled connector)
  - Locking element:
    - locking type: single locking latch
    - material: metal galvanized/nickel plating
  - Cable entry: bottom entry
  - Hoods/Housings sealing: NBR

# Dimensional line drawings

## H24B Bulkhead Mount 1 Locking Lever with Plastic Cover

208-3959

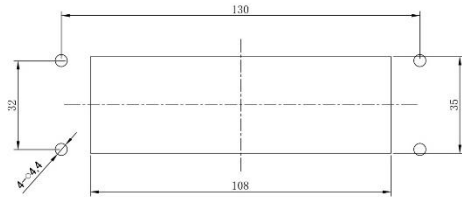
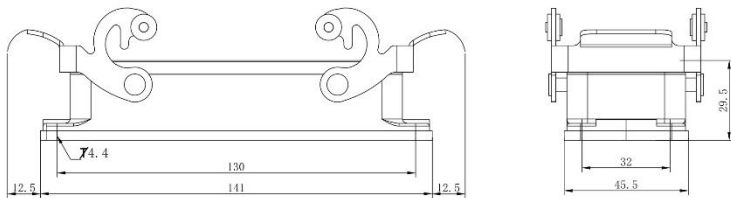


Panel cut out

- Technical specification:
- Material: Aluminium die-cast
  - Material, cover: PC
  - Surface: powder-coated
  - Colour: (grey)
  - Temperature range: -40°C - +125°C
  - Degree of Protection: IP65 (acc.to IEC 60529 for coupled connector)
  - Locking element:
    - locking type: single locking latch
    - material: metal galvanized/nickel plating
  - Cable entry: bottom entry
  - Hoods/Housings sealing: NBR

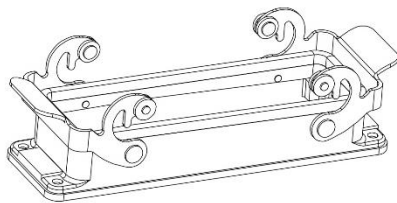
# Dimensional line drawings

## H24B Bulkhead Mount 2 Locking Levers 208-3960



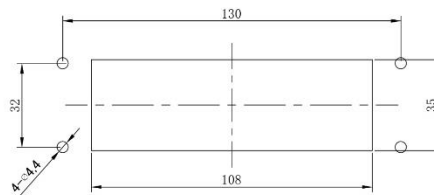
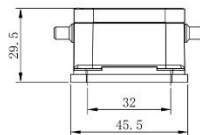
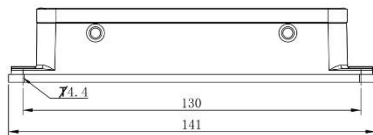
Panel cut out

- Technical specification:
- Material: Aluminium die-cast
  - Surface: powder-coated
  - Colour: (grey)
  - Temperature range: -40°C - +125°C
  - Degree of Protection: IP65 (acc.to IEC 60529 for coupled connector)
  - Locking element:
    - locking type: double locking latch
    - material: stainless steel
  - Cable entry: bottom entry
  - Hoods/Housings sealing: NBR



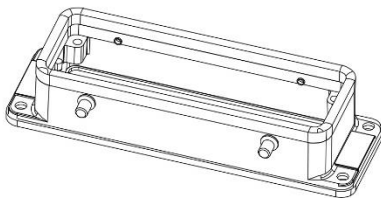
# Dimensional line drawings

## H24B Bulkhead Mount 4 Locking Points 208-3961



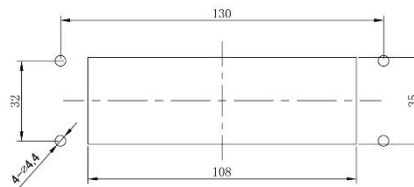
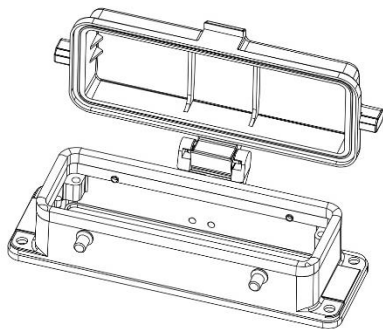
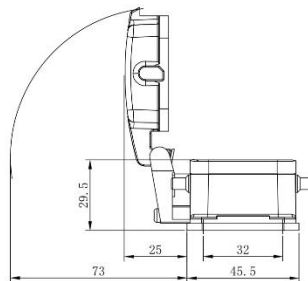
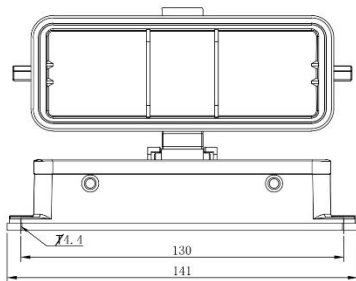
Panel cut out

- Technical specification:
- Material: Aluminium die-cast
  - Surface: powder-coated
  - Colour: (grey)
  - Temperature range:
    - 40°C - +125°C
  - Degree of Protection: IP65  
(acc.to IEC 60529 for coupled connector)
  - Cable entry: bottom entry
  - Hoods/Housings sealing: NBR



# Dimensional line drawings

## H24B Bulkhead Mount 4 Locking Points with Plastic Cover 208-3963



Panel cut out

- Technical specification:
- Material: Aluminium die-cast
  - Material, cover: PC
  - Surface: powder-coated
  - Colour: (grey)
  - Temperature range: -40 °C - +125 °C
  - Degree of Protection: IP65 (acc.to IEC 60529 for coupled connector)
  - Cable entry: bottom entry
  - Hoods/Housings sealing: NBR

# Dimensional line drawings

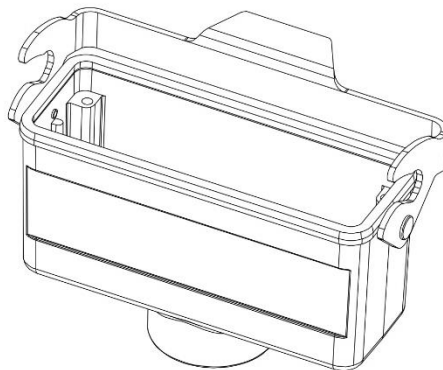
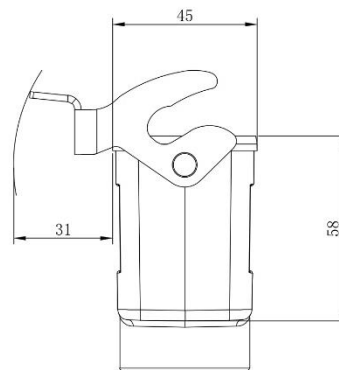
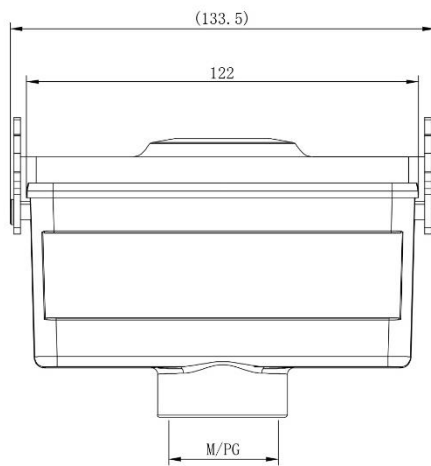
## H24B Cable to Cable 1 Locking Lever

M25 = 208-3964

M32 = 208-3965

PG21 = 208-3966

PG29 = 208-3967



- Technical specification:
- Material: Aluminium die-cast
  - Surface: powder-coated
  - Colour: (grey)
  - Temperature range: -40°C - +125°C
  - Degree of Protection: IP65 (acc. to IEC 60529 for coupled connector)
  - Locking element:
    - locking type: single locking latch
    - material: metal galvanized/nickel plating
  - Cable entry: top entry
  - No. of cable entries: 1
  - Thread size: M/PG
  - Hoods/Housings sealing: NBR



# Dimensional line drawings

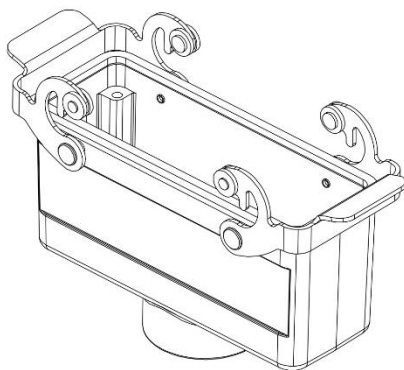
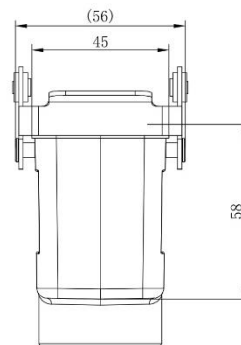
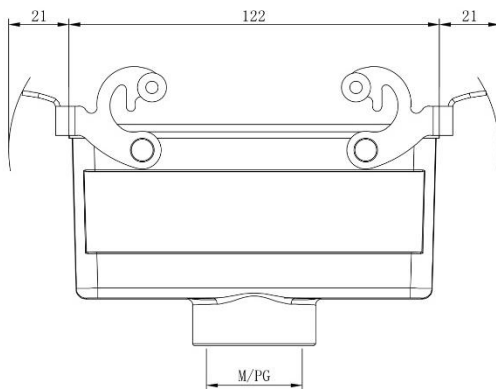
## H24B Cable to Cable 2 Locking Levers

M25 = 208-3968

M32 = 208-3969

PG21 = 208-3970

PG29 = 208-3971



### Technical specification:

- Material: Aluminium die-cast
- Surface: powder-coated
- Colour: (grey)
- Temperature range:
  - 40°C - +125°C
- Degree of Protection: IP65  
(acc.to IEC 60529 for coupled connector)
- Locking element:
  - locking type: double locking latch
  - material: stainless steel
- Cable entry: top entry
- No. of cable entries: 1
- Thread size: M/PG
- Hoods/Housings sealing: NBR

# Dimensional line drawings

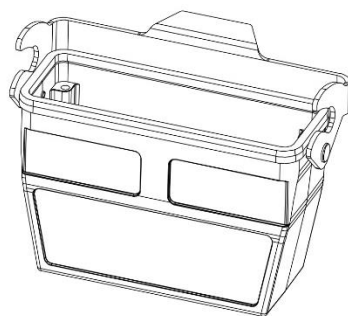
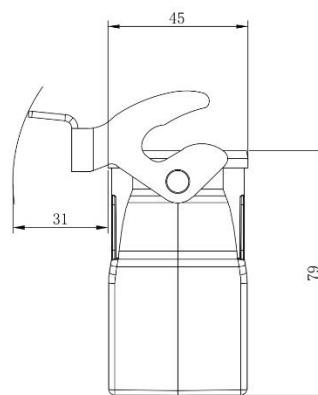
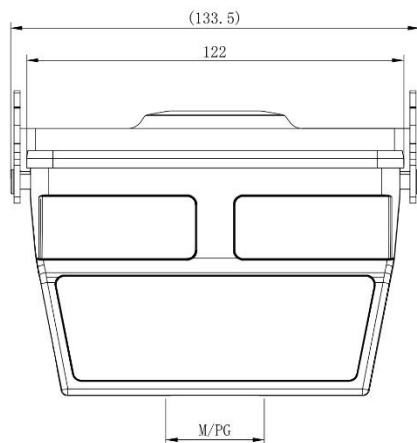
## H24B Cable to Cable High 1 Locking Lever

M32 = 208-3972

M40 = 208-3973

PG21 = 208-3974

PG29 = 208-3975



- Technical specification:
- Material: Aluminium die-cast
  - Surface: powder-coated
  - Colour: (grey)
  - Temperature range: -40°C - +125°C
  - Degree of Protection: IP65 (acc.to IEC 60529 for coupled connector)
  - Locking element:
    - locking type: single locking latch
    - material: metal galvanized/nickel plating
  - Cable entry: top entry
  - No. of cable entries: 1
  - Thread size: M/PG
  - Hoods/Housings sealing: NBR

# Dimensional line drawings

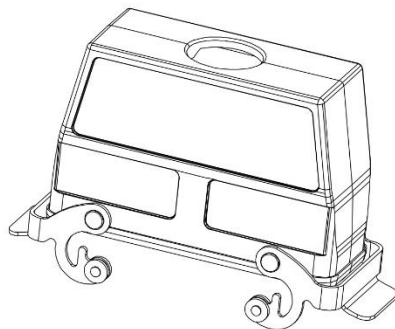
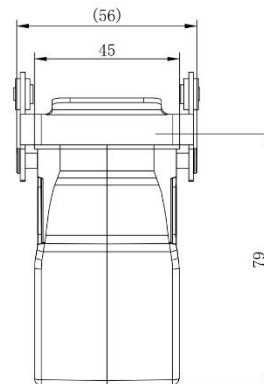
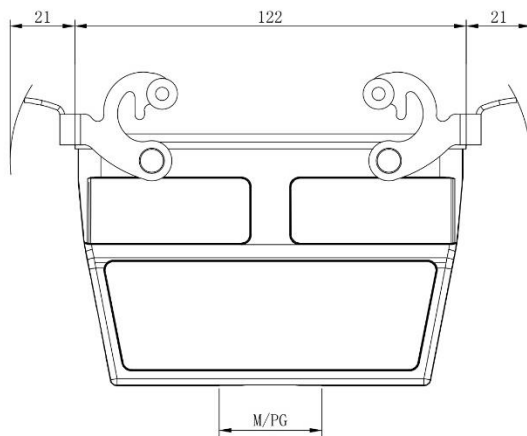
## H24B Cable to Cable High 2 Locking Levers

M32 = 208-3976

M40 = 208-3977

PG21 = 208-3979

PG29 = 208-3980



### Technical specification:

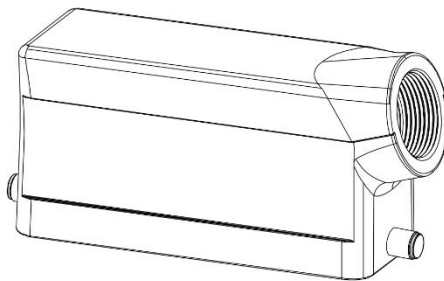
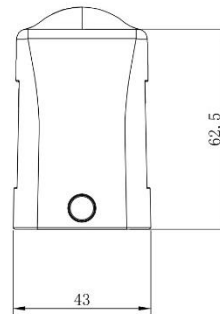
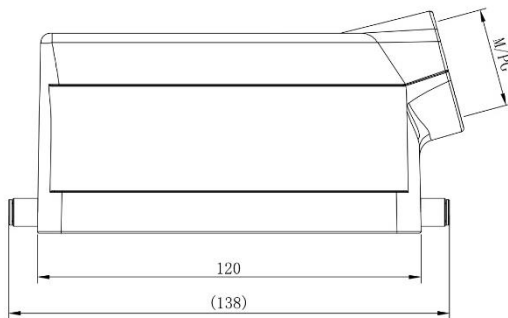
- Material: Aluminium die-cast
- Surface: powder-coated
- Colour: (grey)
- Temperature range:
  - 40°C - +125°C
- Degree of Protection: IP65  
(acc.to IEC 60529 for coupled connector)
- Locking element:
  - locking type: double locking latch
  - material: stainless steel
- Cable entry: top entry
- No. of cable entries: 1
- Thread size: M/PG
- Hoods/Housings sealing: NBR

# Dimensional line drawings

## H24B Side Entry Hood 2 Locking Points

M32 = 208-3981

PG21 = 208-3982



### Technical specification:

- Material: Aluminium die-cast
- Surface: powder-coated
- Colour: (grey)
- Temperature range: -40°C - +125°C
- Degree of Protection: IP65  
(acc.to IEC 60529 for coupled connector)
- Cable entry: side entry
- No. of cable entries: 1
- Thread size: M/PG

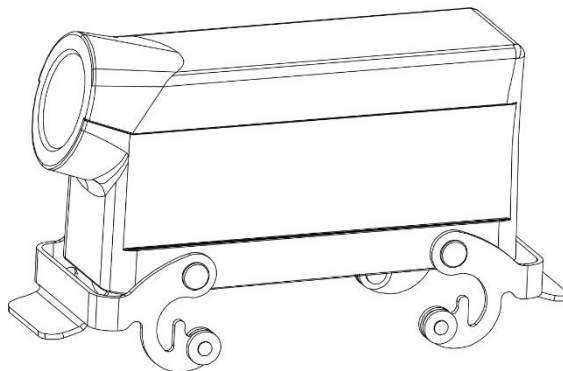
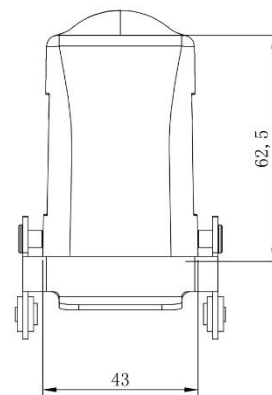
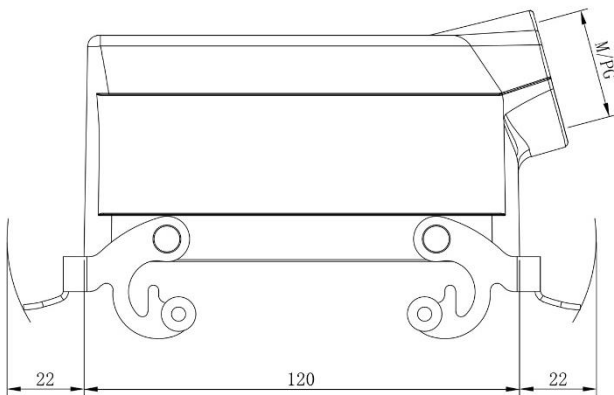
# Dimensional line drawings

## H24B Side Entry Hood 2 Locking Levers

M25 = 208-3983

M32 = 208-3985

PG21 = 208-3986



- Technical specification:
- Material: Aluminium die-cast
  - Surface: powder-coated
  - Colour: (grey)
  - Temperature range: -40°C - +125°C
  - Degree of Protection: IP65  
(acc.to IEC 60529 for coupled connector)
  - Locking element:
    - locking type: double locking latch
    - material: stainless steel
  - Cable entry: side entry
  - No. of cable entries: 1
  - Thread size: M/PG

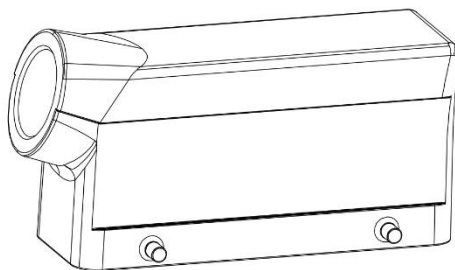
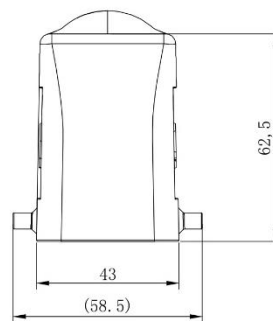
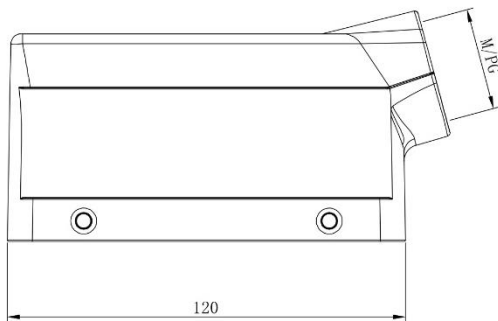
# Dimensional line drawings

## H24B Side Entry Hood 4 Locking Points

M25 = 208-3987

M32 = 208-3988

PG21 = 208-3989



- Technical specification:
- Material: Aluminium die-cast
  - Surface: powder-coated
  - Colour: (grey)
  - Temperature range:  
-40°C - +125°C
  - Degree of Protection: IP65  
(acc.to IEC 60529 for coupled connector)
  - Cable entry: side entry
  - No. of cable entries: 1
  - Thread size: M/PG

# Dimensional line drawings

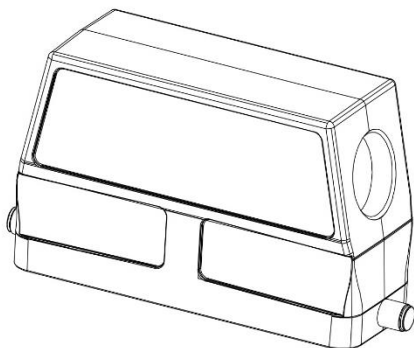
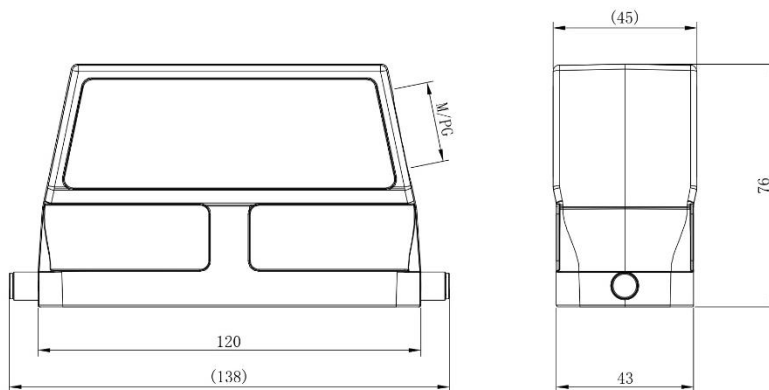
## H24B Side Entry High Hood 2 Locking Points

M32 = 208-3990

M40 = 208-3991

PG21 = 208-3992

PG29 = 208-3993



- Technical specification:
- Material: Aluminium die-cast
  - Surface: powder-coated
  - Colour: (grey)
  - Temperature range:
    - 40°C - +125°C
  - Degree of Protection: IP65  
(acc.to IEC 60529 for coupled connector)
  - Cable entry: side entry
  - No. of cable entries: 1
  - Thread size: M/PG

# Dimensional line drawings

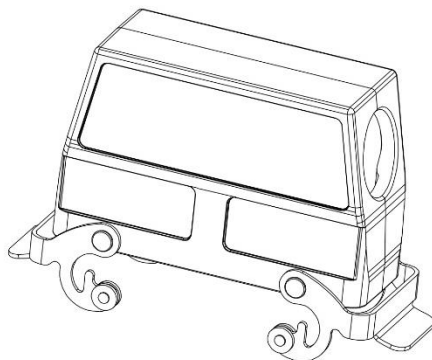
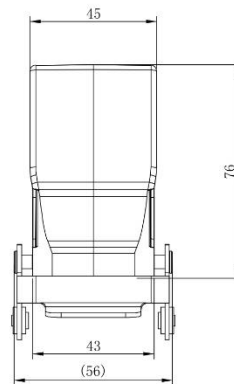
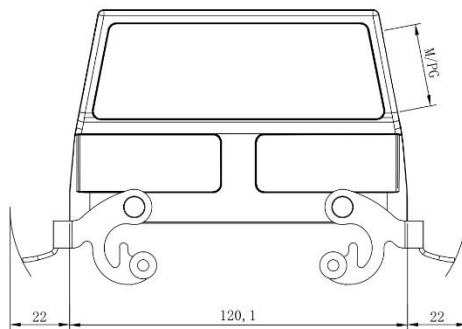
## H24B Side Entry High Hood 2 Locking Levers

M32 = 208-3995

M40 = 208-3996

PG21 = 208-3997

PG29 = 208-3998



### Technical specification:

- Material: Aluminium die-cast
- Surface: powder-coated
- Colour: (grey)
- Temperature range:
  - 40°C - +125°C
- Degree of Protection: IP65  
(acc.to IEC 60529 for coupled connector)
- Locking element:
  - locking type: double locking latch
  - material: stainless steel
- Cable entry: side entry
- No. of cable entries: 1
- Thread size: M/PG



## Dimensional line drawings

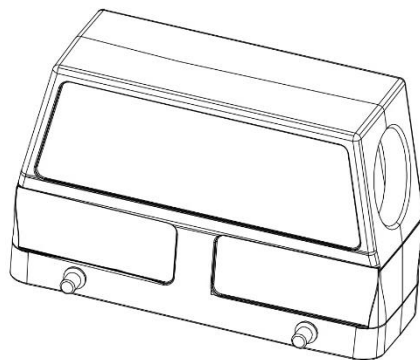
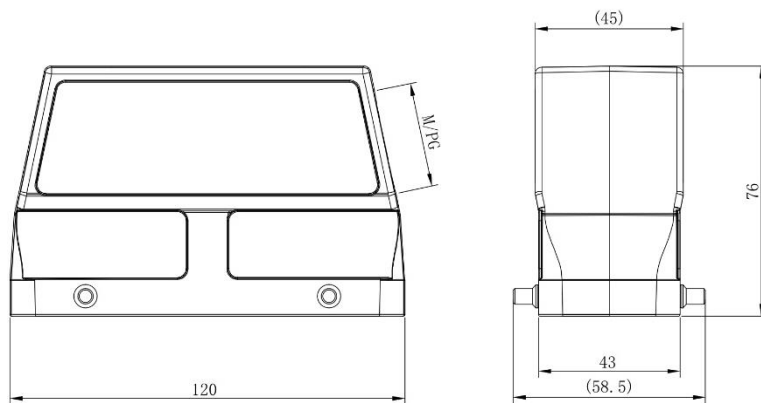
### H24B Side Entry High Hood 4 Locking Points

M32 = 208-3999

M40 = 208-4001

PG21 = 208-4002

PG29 = 208-4003



#### Technical specification:

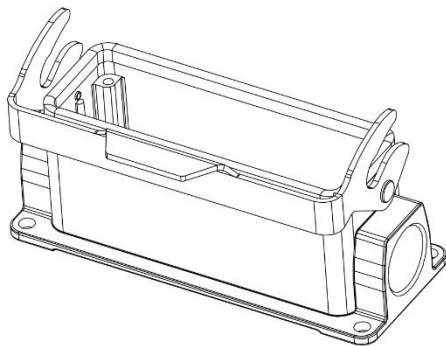
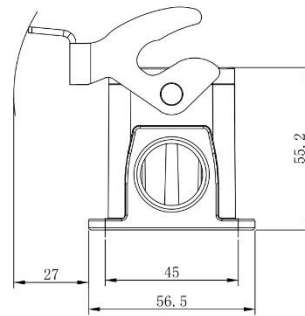
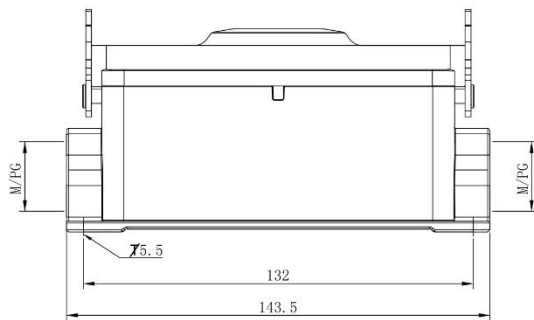
- Material: Aluminium die-cast
- Surface: powder-coated
- Colour: (grey)
- Temperature range: -40°C - +125°C
- Degree of Protection: IP65  
(acc.to IEC 60529 for coupled connector)
- Cable entry: side entry
- No. of cable entries: 1
- Thread size: M/PG

## Dimensional line drawings

### H24B Surface Mount 1 Locking Lever 2 Cable Openings

2xM25 = 208-4004

2xPG21 = 208-4005



#### Technical specification:

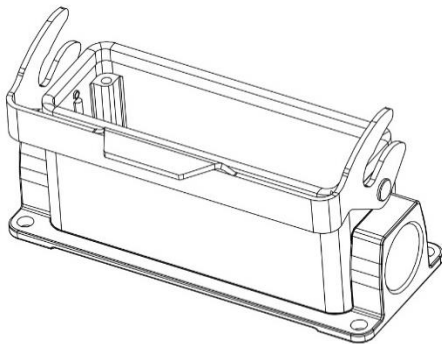
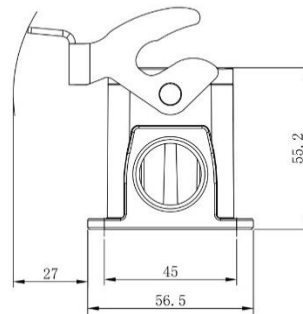
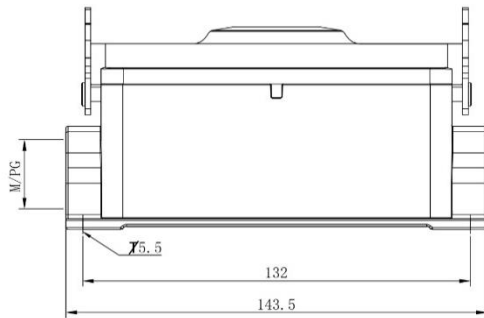
- Material: Aluminium die-cast
- Surface: powder-coated
- Colour: (grey)
- Temperature range: -40°C - +125°C
- Degree of Protection: IP65  
(acc.to IEC 60529 for coupled connector)
- Locking element:
  - locking type: single locking latch
  - material: metal galvanized/nickel plating
- Cable entry: side entry
- No. of cable entries: 2
- Thread size: M/PG
- Hoods/Housings sealing: NBR

# Dimensional line drawings

## H24B Surface Mount 1 Locking Lever Single Cable Opening

M25 = 208-4010

PG21 = 208-4011



### Technical specification:

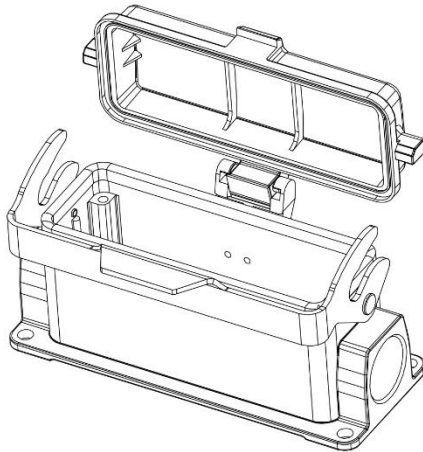
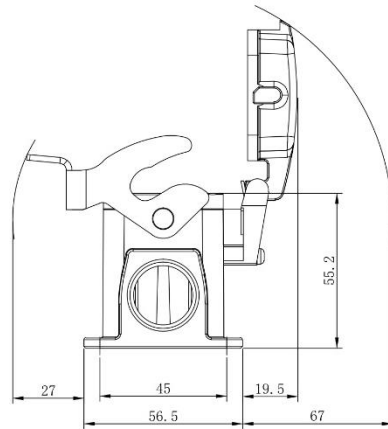
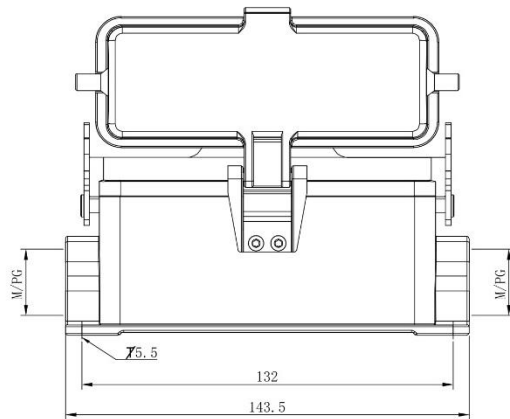
- Material: Aluminium die-cast
- Surface: powder-coated
- Colour: (grey)
- Temperature range:
  - 40°C - +125°C
- Degree of Protection: IP65  
(acc.to IEC 60529 for coupled connector)
- Locking element:
  - locking type: single locking latch
  - material: metal galvanized/nickel plating
- Cable entry: side entry
- No. of cable entries: 1
- Thread size: M/PG
- Hoods/Housings sealing: NBR

# Dimensional line drawings

## H24B Surface Mount 1 Locking Lever 2 Cable Openings with Plastic Cover

2xM25 = 208-4006

2xPG21 = 208-4007



### Technical specification:

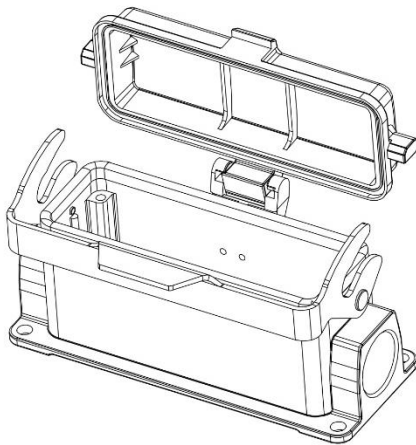
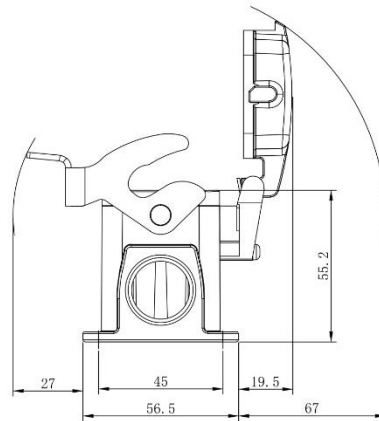
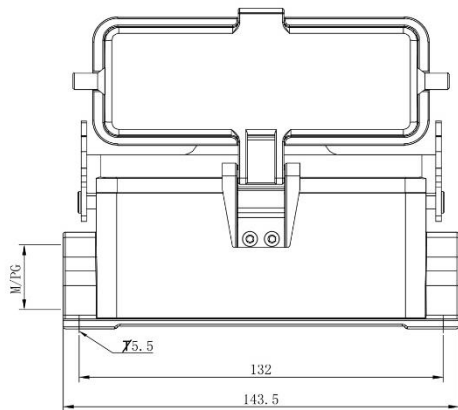
- Material: Aluminium die-cast
- Material, cover: PC
- Surface: powder-coated
- Colour: (grey)
- Temperature range:
  - 40°C - +125°C
- Degree of Protection: IP65  
(acc.to IEC 60529 for coupled connector)
- Locking element:
  - locking type: single locking latch
  - material: metal galvanized/nickel plating
- Cable entry: side entry
- No. of cable entries: 2
- Thread size: M/PG
- Hoods/Housings sealing: NBR

# Dimensional line drawings

## H24B Surface Mount 1 Locking Lever Single Cable Opening with Plastic Cover

M25 = 208-4008

PG21 = 208-4009



### Technical specification:

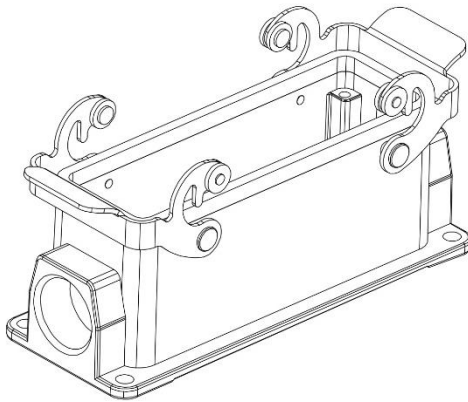
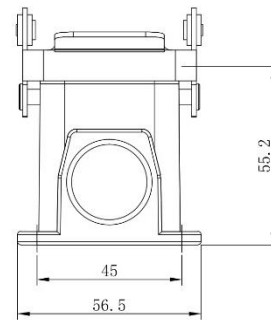
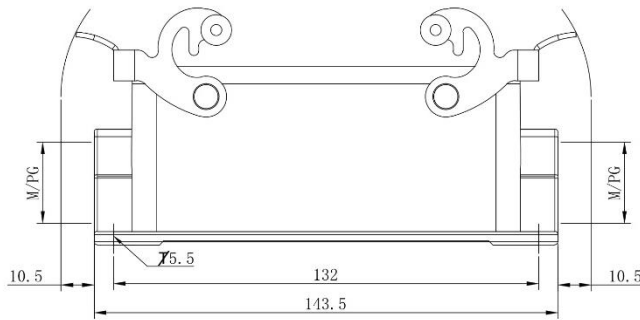
- Material: Aluminium die-cast
- Material, cover: PC
- Surface: powder-coated
- Colour: (grey)
- Temperature range: -40°C - +125°C
- Degree of Protection: IP65  
(acc.to IEC 60529 for coupled connector)
- Locking element:
  - locking type: single locking latch
  - material: metal galvanized/nickel plating
- Cable entry: side entry
- No. of cable entries: 1
- Thread size: M/PG
- Hoods/Housings sealing: NBR

# Dimensional line drawings

## H24B Surface Mount 2 Locking Levers 2 Cable Openings

2xM25 = 208-4012

2xPG16 = 208-4013



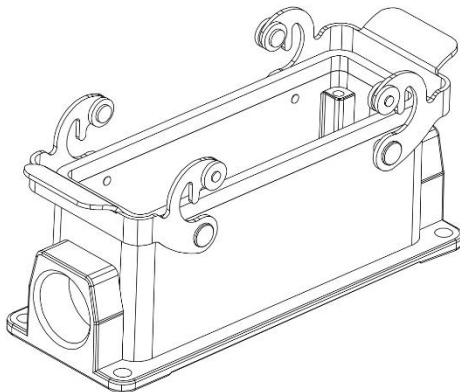
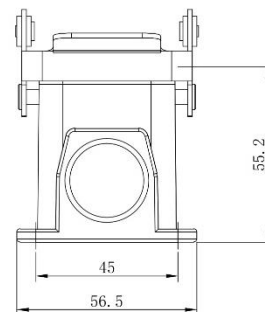
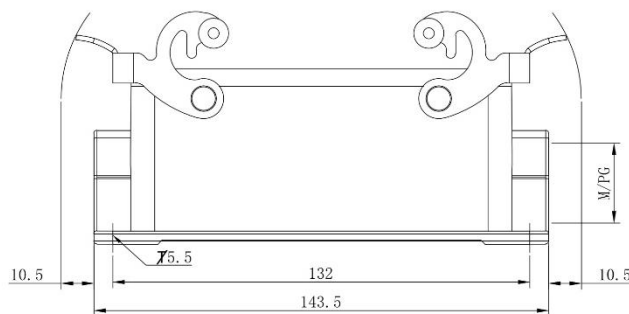
- Technical specification:
- Material: Aluminium die-cast
  - Surface: powder-coated
  - Colour: (grey)
  - Temperature range: -40°C - +125°C
  - Degree of Protection: IP65  
(acc.to IEC 60529 for coupled connector)
  - Locking element:
    - locking type: double locking latch
    - material: stainless steel
  - Cable entry: side entry
  - No. of cable entries: 2
  - Thread size: M/PG
  - Hoods/Housings sealing: NBR

## Dimensional line drawings

### H24B Surface Mount 2 Locking Levers Single Cable Opening

M25 = 208-4014

PG21 = 208-4015



#### Technical specification:

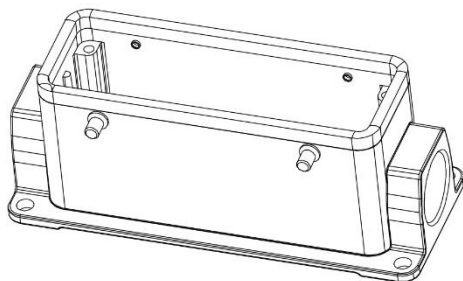
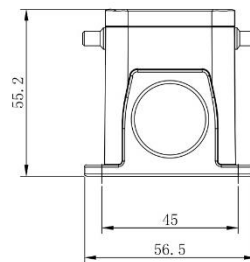
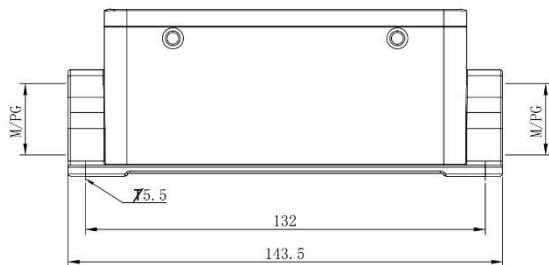
- Material: Aluminium die-cast
- Surface: powder-coated
- Colour: (grey)
- Temperature range:
  - 40°C - +125°C
- Degree of Protection: IP65  
(acc.to IEC 60529 for coupled connector)
- Locking element:
  - locking type: double locking latch
  - material: stainless steel
- Cable entry: side entry
- No. of cable entries: 1
- Thread size: M/PG
- Hoods/Housings sealing: NBR

## Dimensional line drawings

### H24B Surface Mount 4 Locking Points 2 Cable Openings

2xM25 = 208-4017

2xPG21 = 208-4018



#### Technical specification:

- Material: Aluminium die-cast
- Surface: powder-coated
- Colour: (grey)
- Temperature range:
  - 40°C - +125°C
- Degree of Protection: IP65  
(acc.to IEC 60529 for coupled connector)
- Cable entry: side entry
- No. of cable entries: 2
- Thread size: M/PG
- Hoods/Housings sealing: NBR

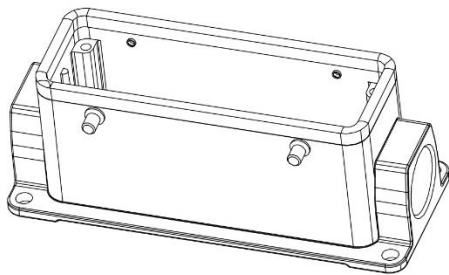
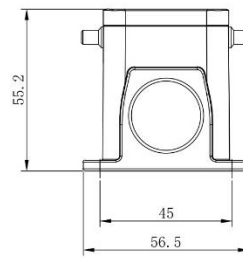
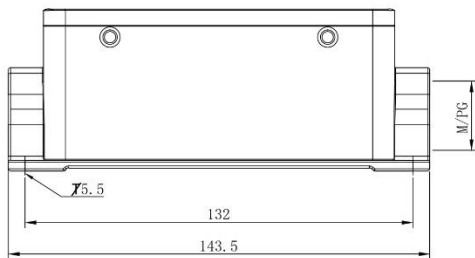


## Dimensional line drawings

### H24B Surface Mount 4 Locking Points Single Cable Opening

M25 = 208-4024

PG21 = 208-4025



#### Technical specification:

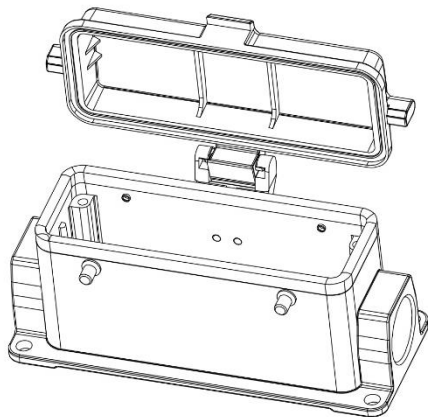
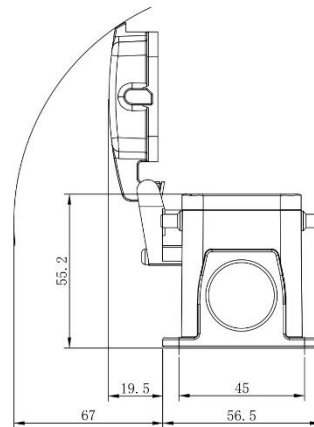
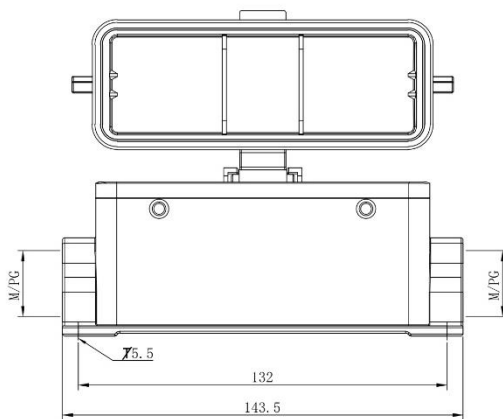
- Material: Aluminium die-cast
- Surface: powder-coated
- Colour: (grey)
- Temperature range:
  - 40°C - +125°C
- Degree of Protection: IP65  
(acc.to IEC 60529 for coupled connector)
- Cable entry: side entry
- No. of cable entries: 1
- Thread size: M/PG
- Hoods/Housings sealing: NBR

## Dimensional line drawings

### H24B Surface Mount 4 Locking Points 2 Cable Openings with Plastic Cover

2xM25 = 208-4019

2xPG21 = 208-4020



#### Technical specification:

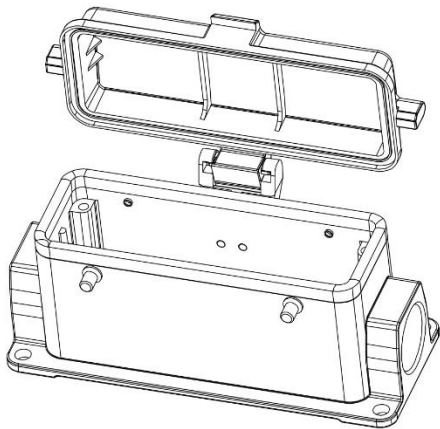
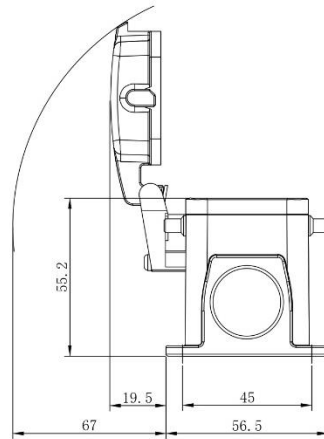
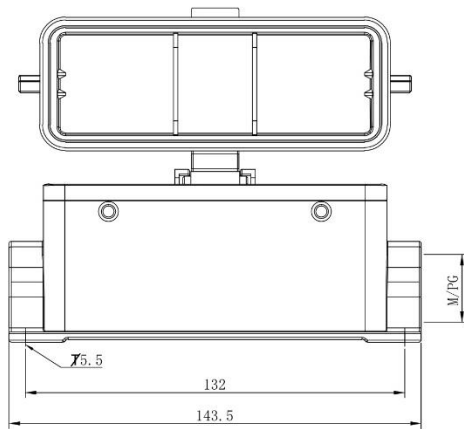
- Material: Aluminium die-cast
- Material, cover: PC
- Surface: powder-coated
- Colour: (grey)
- Temperature range:
  - 40°C - +125°C
- Degree of Protection: IP65  
(acc.to IEC 60529 for coupled connector)
- Cable entry: side entry
- No. of cable entries: 2
- Thread size: M/PG
- Hoods/Housings sealing: NBR

# Dimensional line drawings

## H24B Surface Mount 4 Locking Points Single Cable Opening with Plastic Cover

M25 = 208-4021

PG21 = 208-4023



### Technical specification:

- Material: Aluminium die-cast
- Material, cover: PC
- Surface: powder-coated
- Colour: (grey)
- Temperature range: -40°C - +125°C
- Degree of Protection: IP65  
(acc.to IEC 60529 for coupled connector)
- Cable entry: side entry
- No. of cable entries: 1
- Thread size: M/PG
- Hoods/Housings sealing: NBR

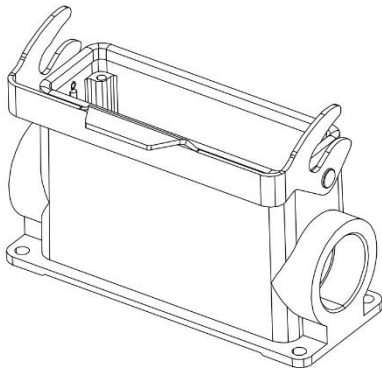
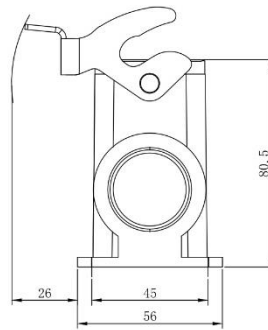
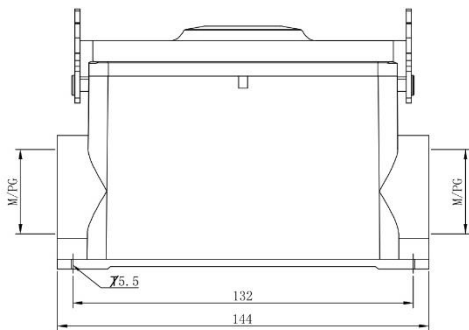
## Dimensional line drawings

### H24B High Surface Mount 1 Locking Lever 2 Cable Openings

2xM32 = 208-4026

2xPG21 = 208-4027

2xPG29 = 208-4028



#### Technical specification:

- Material: Aluminium die-cast
- Surface: powder-coated
- Colour: (grey)
- Temperature range:
  - 40°C - +125°C
- Degree of Protection: IP65  
(acc.to IEC 60529 for coupled connector)
- Locking element:
  - locking type: single locking latch
  - material: metal galvanized/nickel plating
- Cable entry: side entry
- No. of cable entries: 2
- Thread size: M/PG
- Hoods/Housings sealing: NBR

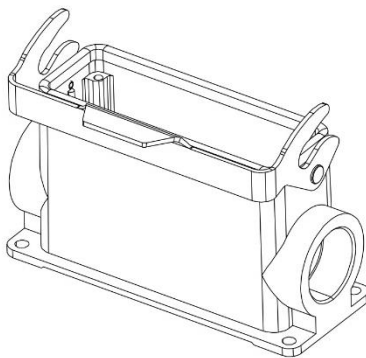
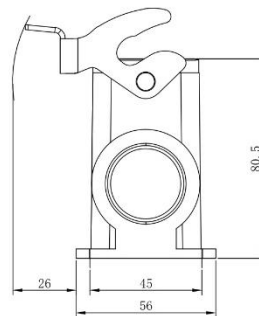
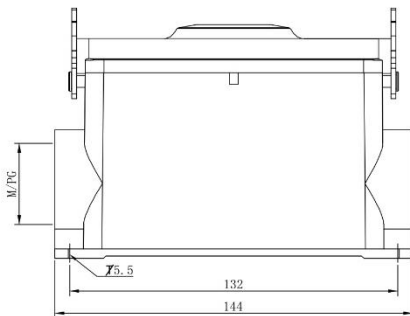
# Dimensional line drawings

## H24B High Surface Mount 1 Locking Lever Single Cable Opening

M32 = 208-4035

PG21 = 208-4036

PG29 = 208-4037



### Technical specification:

- Material: Aluminium die-cast
- Surface: powder-coated
- Colour: (grey)
- Temperature range: -40°C - +125°C
- Degree of Protection: IP65  
(acc.to IEC 60529 for coupled connector)
- Locking element:
  - locking type: single locking latch
  - material: metal galvanized/nickel plating
- Cable entry: side entry
- No. of cable entries: 1
- Thread size: M/PG
- Hoods/Housings sealing: NBR

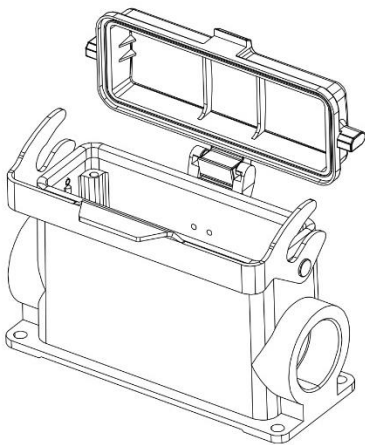
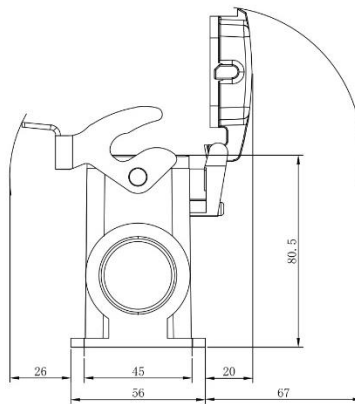
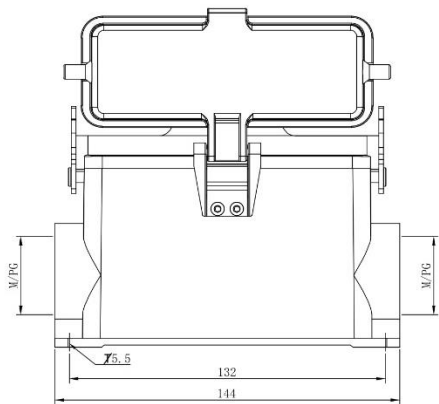
# Dimensional line drawings

## H24B High Surface Mount 1 Locking Lever 2 Cable Openings with Plastic Cover

2xM32 = 208-4029

2xPG21 = 208-4030

2xPG29 = 208-4031



- Technical specification:
- Material: Aluminium die-cast
  - Material, cover: PC
  - Surface: powder-coated
  - Colour: (grey)
  - Temperature range: -40°C - +125°C
  - Degree of Protection: IP65 (acc.to IEC 60529 for coupled connector)
  - Locking element:
    - locking type: single locking latch
    - material: metal galvanized/nickel plating
  - Cable entry: side entry
  - No. of cable entries: 2
  - Thread size: M/PG
  - Hoods/Housings sealing: NBR

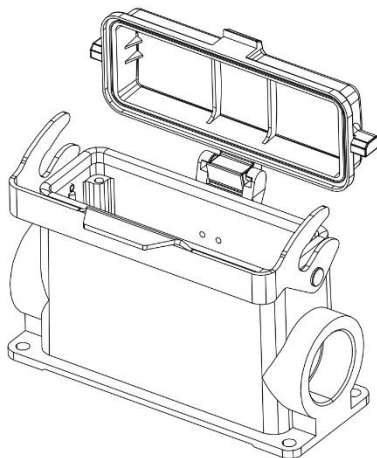
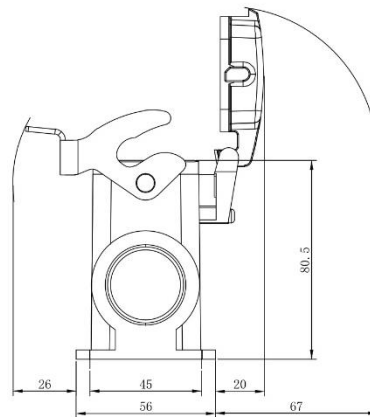
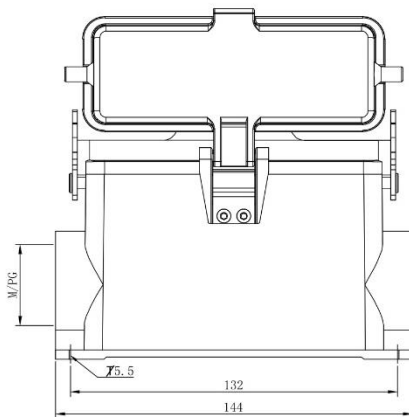
# Dimensional line drawings

## H24B High Surface Mount 1 Locking Lever Single Cable Opening with Plastic Cover

M32 = 208-4032

PG21 = 208-4033

PG29 = 208-4034



### Technical specification:

- Material: Aluminium die-cast
- Material, cover: PC
- Surface: powder-coated
- Colour: (grey)
- Temperature range:
  - 40°C - +125°C
- Degree of Protection: IP65  
(acc.to IEC 60529 for coupled connector)
- Locking element:
  - locking type: single locking latch
  - material: metal galvanized/nickel plating
- Cable entry: side entry
- No. of cable entries: 1
- Thread size: M/PG
- Hoods/Housings sealing: NBR

# Dimensional line drawings

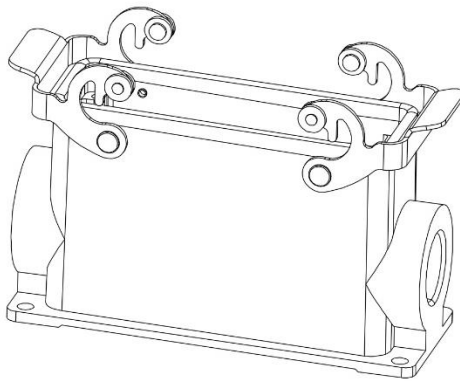
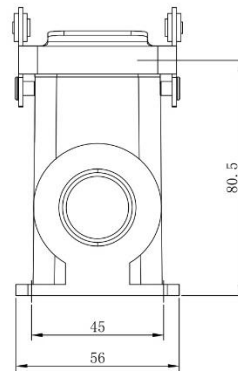
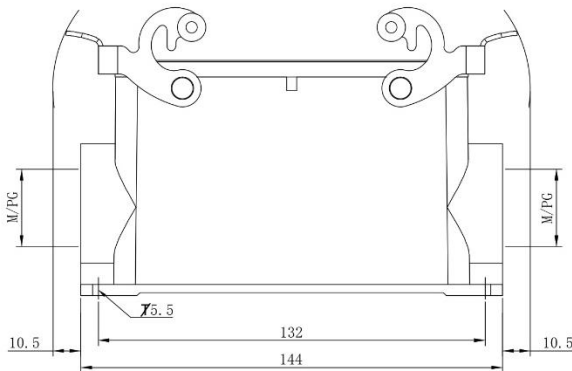
## H24B High Surface Mount 2 Locking Lever 2 Cable Openings

2xM32 = 208-4039

2xM40 = 208-4040

2xPG21 = 208-4041

2xPG29 = 208-4042



### Technical specification:

- Material: Aluminium die-cast
- Surface: powder-coated
- Colour: (grey)
- Temperature range:
  - 40°C - +125°C
- Degree of Protection: IP65  
(acc.to IEC 60529 for coupled connector)
- Locking element:
  - locking type: double locking latch
  - material: stainless steel
- Cable entry: side entry
- No. of cable entries: 2
- Thread size: M/PG
- Hoods/Housings sealing: NBR



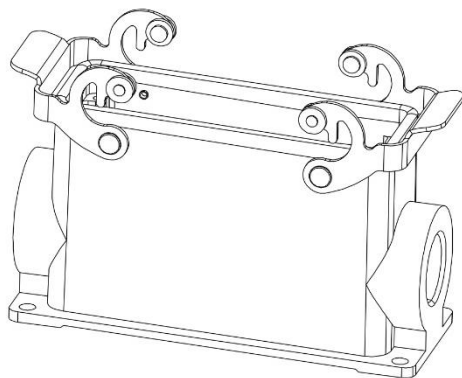
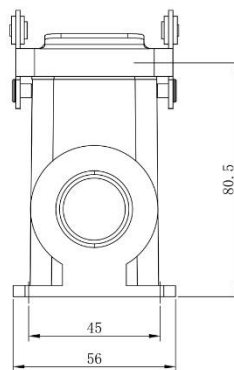
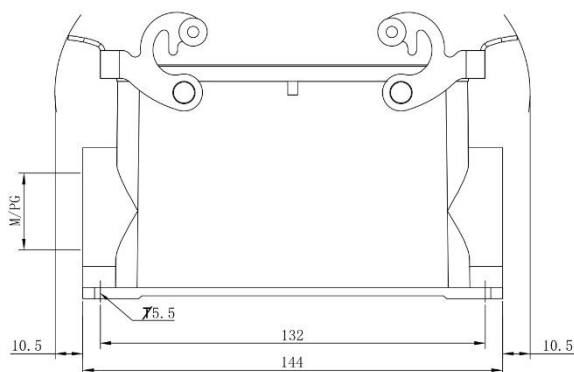
## Dimensional line drawings

### H24B High Surface Mount 2 Locking Lever Single Cable Opening

M32 = 208-4043

PG21 = 208-4045

PG29 = 208-4046



#### Technical specification:

- Material: Aluminium die-cast
- Surface: powder-coated
- Colour: (grey)
- Temperature range:
  - 40 °C - +125 °C
- Degree of Protection: IP65  
(acc.to IEC 60529 for coupled connector)
- Locking element:
  - locking type: double locking latch
  - material: stainless steel
- Cable entry: side entry
- No. of cable entries: 1
- Thread size: M/PG
- Hoods/Housings sealing: NBR

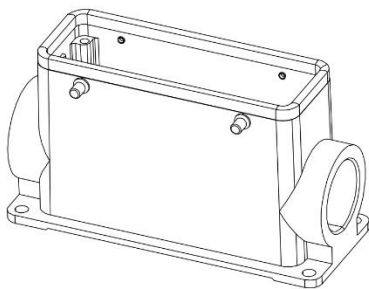
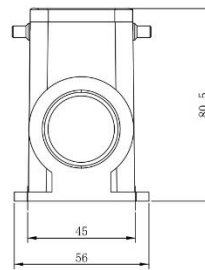
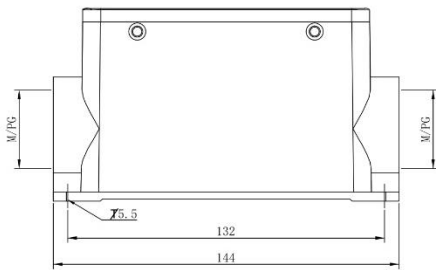
## Dimensional line drawings

### H24B High Surface Mount 4 Locking Points 2 Cable Openings

2xM32 = 208-4047

2xPG21 = 208-4048

2xPG29 = 208-4049



#### Technical specification:

- Material: Aluminium die-cast
- Surface: powder-coated
- Colour: (grey)
- Temperature range:
  - 40°C - +125°C
- Degree of Protection: IP65  
(acc.to IEC 60529 for coupled connector)
- Cable entry: side entry
- No. of cable entries: 2
- Thread size: M/PG
- Hoods/Housings sealing: NBR

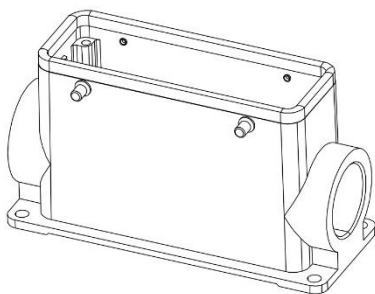
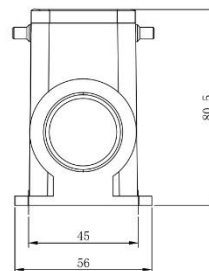
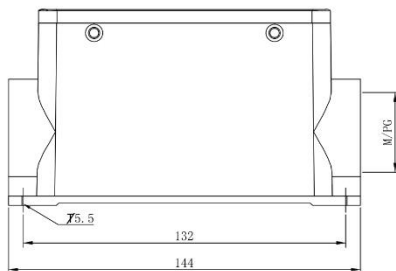
## Dimensional line drawings

### H24B High Surface Mount 4 Locking Points Single Cable Opening

M32 = 208-4057

PG21 = 208-4058

PG29 = 208-4059



#### Technical specification:

- Material: Aluminium die-cast
- Surface: powder-coated
- Colour: (grey)
- Temperature range:
  - 40°C - +125°C
- Degree of Protection: IP65  
(acc.to IEC 60529 for coupled connector)
- Cable entry: side entry
- No. of cable entries: 1
- Thread size: M/PG
- Hoods/Housings sealing: NBR

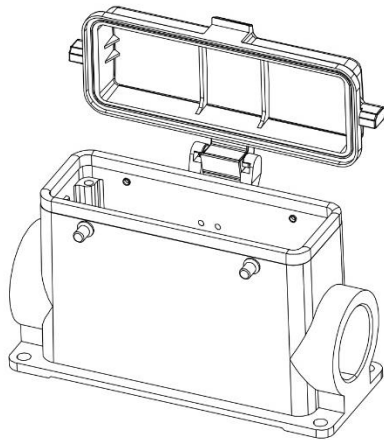
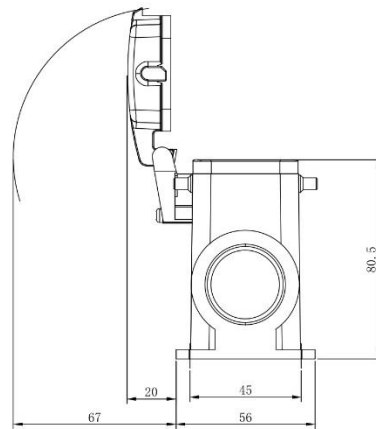
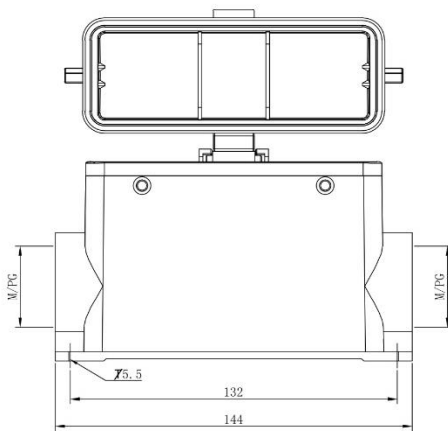
# Dimensional line drawings

## H24B High Surface Mount 4 Locking Points 2 Cable Openings with Plastic Cover

2xM32 = 208-4051

2xPG21 = 208-4052

2xPG29 = 208-4053



### Technical specification:

- Material: Aluminium die-cast
- Material, cover: PC
- Surface: powder-coated
- Colour: (grey)
- Temperature range:
  - 40°C - +125°C
- Degree of Protection: IP65  
(acc.to IEC 60529 for coupled connector)
- Cable entry: side entry
- No. of cable entries: 2
- Thread size: M/PG
- Hoods/Housings sealing: NBR

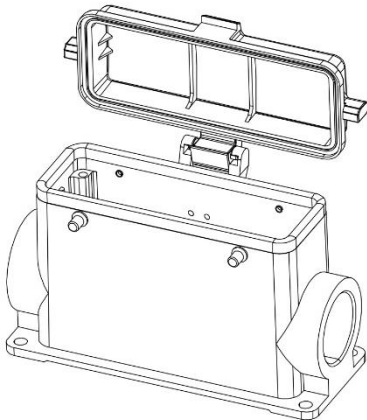
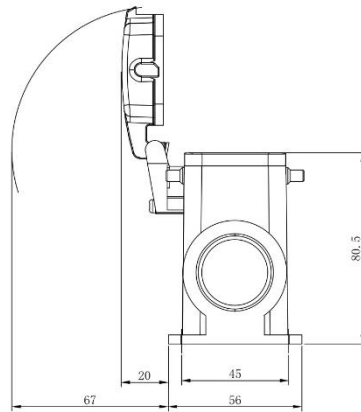
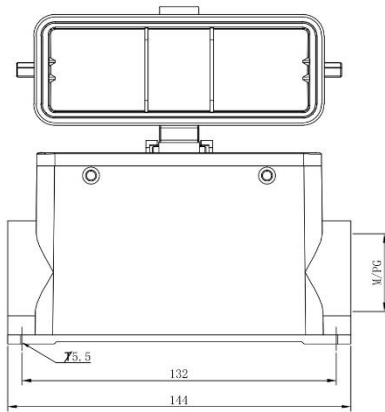
## Dimensional line drawings

### H24B High Surface Mount 4 Locking Points Single Cable Opening with Plastic Cover

M32 = 208-4054

PG21 = 208-4055

PG29 = 208-4056



#### Technical specification:

- Material: Aluminium die-cast
- Material, cover: PC
- Surface: powder-coated
- Colour: (grey)
- Temperature range:
  - 40°C - +125°C
- Degree of Protection: IP65  
(acc.to IEC 60529 for coupled connector)
- Cable entry: side entry
- No. of cable entries: 1
- Thread size: M/PG
- Hoods/Housings sealing: NBR

## Dimensional line drawings

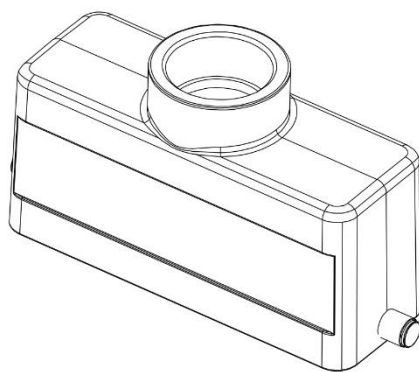
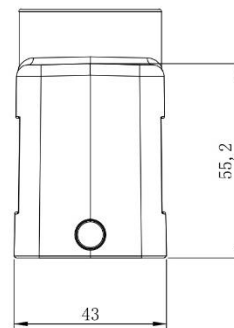
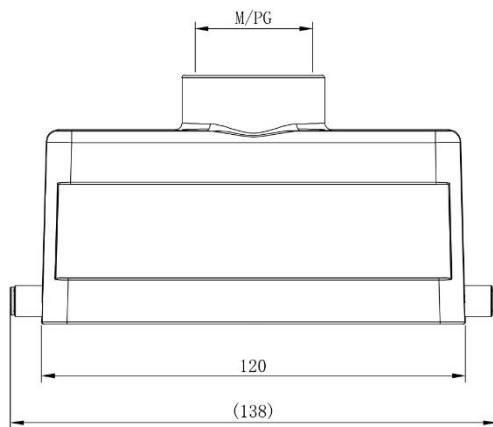
### H24B Top Entry Hood 2 Locking Points

M25 = 208-4060

M32 = 208-4061

PG21 = 208-4062

PG29 = 208-4063



#### Technical specification:

- Material: Aluminium die-cast
- Surface: powder-coated
- Colour: (grey)
- Temperature range:
  - 40°C - +125°C
- Degree of Protection: IP65  
(acc.to IEC 60529 for coupled connector)
- Cable entry: top entry
- No. of cable entries: 1
- Thread size: M/PG

# Dimensional line drawings

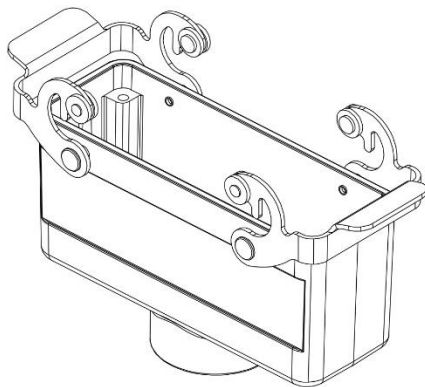
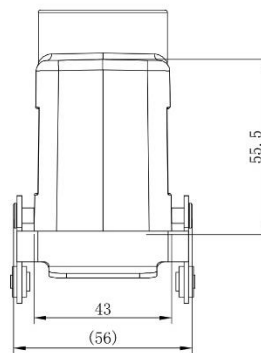
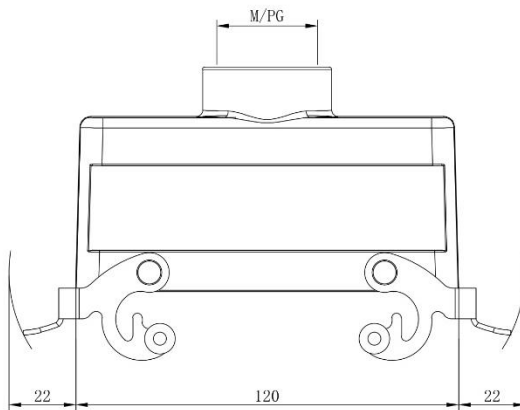
## H24B Top Entry Hood 2 Locking Levers

M25 = 208-4064

M32 = 208-4065

PG21 = 208-4066

PG29 = 208-4067



- Technical specification:
- Material: Aluminium die-cast
  - Surface: powder-coated
  - Colour: (grey)
  - Temperature range: -40°C - +125°C
  - Degree of Protection: IP65  
(acc.to IEC 60529 for coupled connector)
  - Locking element:
    - locking type: double locking latch
    - material: stainless steel
  - Cable entry: top entry
  - No. of cable entries: 1
  - Thread size: M/PG

## Dimensional line drawings

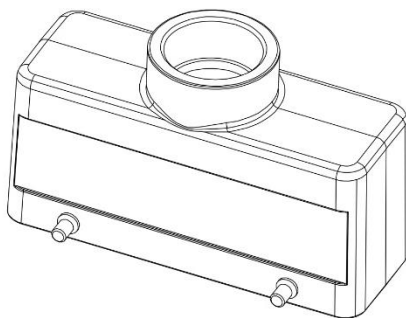
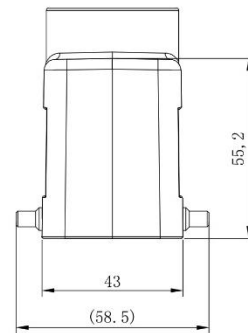
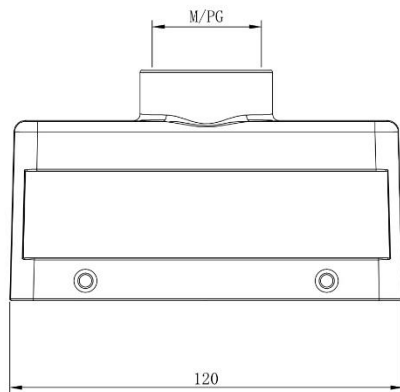
### H24B Top Entry Hood 4 Locking Points

M25 = 208-4068

M32 = 208-4069

PG21 = 208-4070

PG29 = 208-4071



#### Technical specification:

- Material: Aluminium die-cast
- Surface: powder-coated
- Colour: (grey)
- Temperature range:
  - 40°C - +125°C
- Degree of Protection: IP65  
(acc.to IEC 60529 for coupled connector)
- Cable entry: top entry
- No. of cable entries: 1
- Thread size: M/PG



## Dimensional line drawings

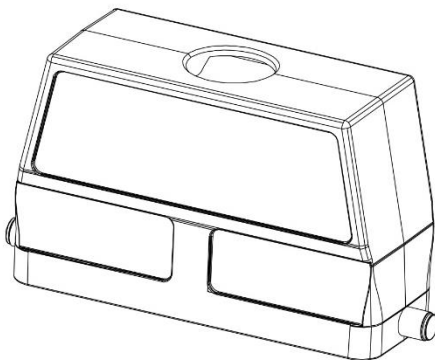
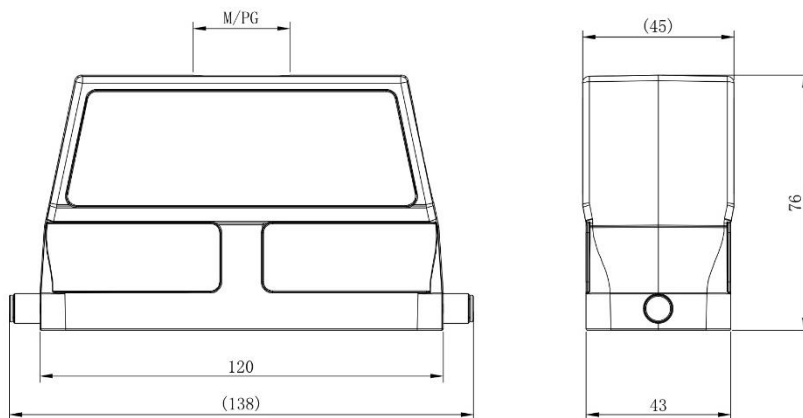
### H24B Top Entry High Hood 2 Locking Points

M32 = 208-4073

M40 = 208-4074

PG21 = 208-4075

PG29 = 208-4076



#### Technical specification:

- Material: Aluminium die-cast
- Surface: powder-coated
- Colour: (grey)
- Temperature range: -40°C - +125°C
- Degree of Protection: IP65  
(acc.to IEC 60529 for coupled connector)
- Cable entry: top entry
- No. of cable entries: 1
- Thread size: M/PG

# Dimensional line drawings

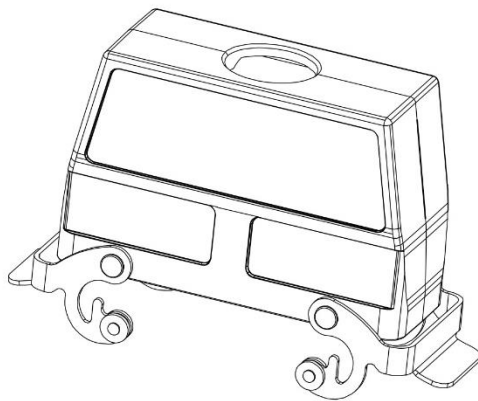
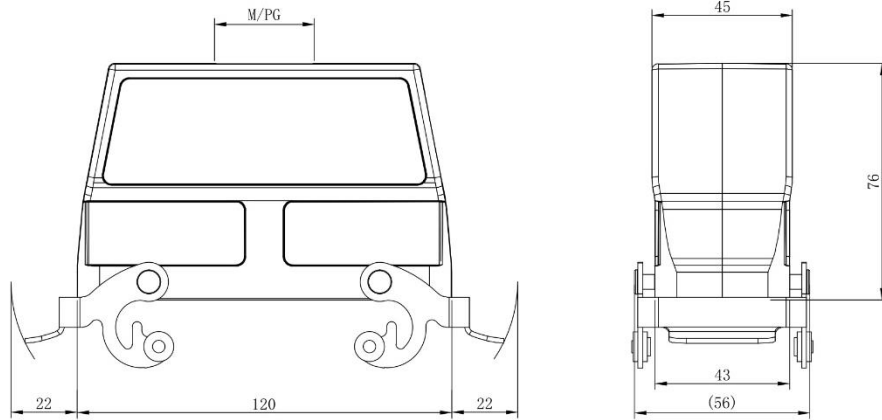
## H24B Top Entry High Hood 2 Locking Levers

M32 = 208-4078

M40 = 208-4079

PG21 = 208-4080

PG29 = 208-4081



### Technical specification:

- Material: Aluminium die-cast
- Surface: powder-coated
- Colour: (grey)
- Temperature range:
  - 40°C - +125°C
- Degree of Protection: IP65  
(acc.to IEC 60529 for coupled connector)
- Locking element:
  - locking type: double locking latch
  - material: stainless steel
- Cable entry: top entry
- No. of cable entries: 1
- Thread size: M/PG

# Dimensional line drawings

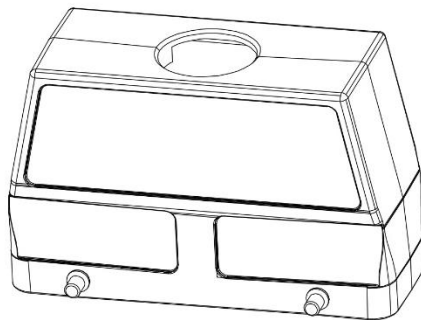
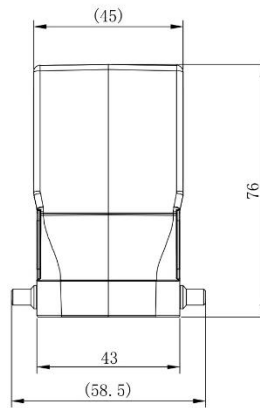
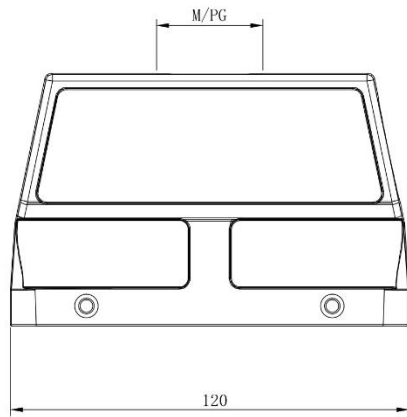
## H24B Top Entry High Hood 4 Locking Points

M32 = 208-4082

M40 = 208-4083

PG21 = 208-4084

PG29 = 208-4085



### Technical specification:

- Material: Aluminium die-cast
- Surface: powder-coated
- Colour: (grey)
- Temperature range:  
-40°C - +125°C
- Degree of Protection: IP65  
(acc.to IEC 60529 for coupled connector)
- Cable entry: top entry
- No. of cable entries: 1
- Thread size: M/PG