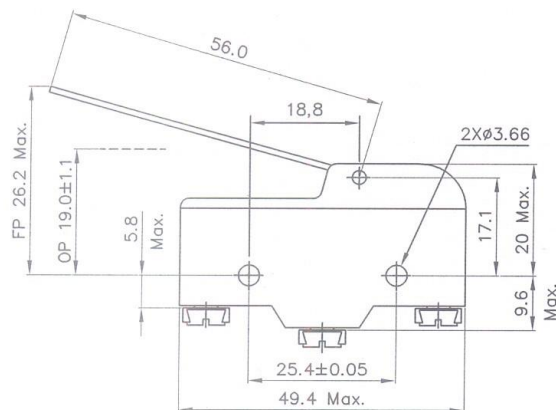


## FEATURES

- MOULDED - CASED WITH "STEPPED" BASE AFFORDING MAXIMUM CREEPAGE DISTANCE BETWEEN TERMINALS.
- HAVING GREATER CONTACT GAP PERMITS HIGHER D C RATING.
- MICRO SWITCH HAVING REVERSE ACTING LEVER.
- CONFORM TO IEC 1508-1 STANDARD.

# RS PRO Miniature Micro Switch

RS Stock No.: 797-2570



WIDTH 17.6 max.

RS Professionally Approved Products bring to you professional quality parts across all product categories. Our product range has been tested by engineers and provides a comparable quality to the leading brands without paying a premium price.

## Product Description

- *Single-pole changeover, snap-acting switch.*
- *Beryllium copper trident spring operating mechanism.*
- *Fine silver contacts.*
- *The lever actuator in free position keep the plunger depressed which is released when the lever is pressed downwards.*
- *Plastic lever actuator.*

## General Specifications

|                              |  |
|------------------------------|--|
| <b>Contact Configuration</b> | SPDT   |
| <b>Contact Arrangement</b>   | 1No + 1NC, snap action.  |
| <b>Contacts</b>              | Fine silver.   |
| <b>Terminals</b>             | M3.5 brass screws with cup washers, nickel plated on a stepped base. |
| <b>Case</b>                  | Phenolic thermo-setting plastic.                                     |
| <b>Salient Features</b>      | Stainless steel reverse acting lever of 56.0mm radius.               |

## Electrical Specifications

| Electrical Rating            |                      |   |
|------------------------------|----------------------|---|
|                              | Load                 | Rating                                      |
|                              | <b>AC(Resistive)</b> | 15A at 125V or 15 A at 250V or 15A at 440V. |
|                              | <b>AC(Inductive)</b> | 5 A at 125V or 5 A at 250V or 4A at 440V.   |
|                              | <b>DC(Resistive)</b> | 0.5 A at 125V or 0.25 A at 250V.            |
|                              | <b>DC(Inductive)</b> | 0.05 A at 125V or 0.03 A at 250V.           |
| <b>Contact Resistance</b>    |                      | 10 milliohms(max.).                         |
| <b>Insulation Resistance</b> |                      | 1000 Megaohms(min.).                        |
| <b>Voltage Proof</b>         |                      | 1 KV AC for one minute.                     |
| <b>Electrical life</b>       |                      | 50,000 Operations.                          |
| <b>Mechanical life</b>       |                      | 1 million Operations.                       |

## Mechanical Specifications

|                                   |  |
|-----------------------------------|--|
| <b>Actuating Force (AF)</b>       | 225gms. (max).   |
| <b>Release Force (RF)</b>         | 29gms. (min.).   |
| <b>Free Position (FP)</b>         | 26.2mm. (max.).  |
| <b>Operating Position (OP)</b>    | 19.0±1.0 mm.   |
| <b>Pretravel</b>                  | 7.2 mm.(max).  |
| <b>Movement Differential (MD)</b> | 0.76 mm.(max),   |
| <b>Overtravel</b>                 | 5.6 mm. (max.).  |
| <b>Mounting</b>                   | Side-mounting holes of $\varnothing 3.6$ mm are provided. Use M3.5 or #6 unified thread screw. |
| <b>Unit Weight</b>                | 34.1gms. Approx.   |

## Operation Environment Specifications

|                                    |                 |
|------------------------------------|-----------------|
| <b>Operating Temperature Range</b> | -10°C to +70°C. |
|------------------------------------|-----------------|

## Protection Category

|                  |                  |
|------------------|------------------|
| <b>IP Rating</b> | IP40(enclosure). |
|------------------|------------------|

## Approvals

|                                  |         |
|----------------------------------|---------|
| <b>Compliance/Certifications</b> | CE/CSA. |
|----------------------------------|---------|

## Similar Products

| Parameters                    | Stock# | Stock# | Stock# | Stock# |
|-------------------------------|--------|--------|--------|--------|
| Brand                         | RS PRO | RS PRO | RS PRO | RS PRO |
| Contact Configuration         |        |        |        |        |
| Switch Operation              |        |        |        |        |
| Illuminated                   |        |        |        |        |
| Actuator Colour               |        |        |        |        |
| Actuator Shape                |        |        |        |        |
| Legend Text                   |        |        |        |        |
| Legend Text Colour            |        |        |        |        |
| Lens Shape/Symbol             |        |        |        |        |
| Contact Material              |        |        |        |        |
| Case Material                 |        |        |        |        |
| Actuator Style                |        |        |        |        |
| Contact Current Rating        |        |        |        |        |
| AC Voltage Rating             |        |        |        |        |
| DC Voltage Rating             |        |        |        |        |
| Terminal Type                 |        |        |        |        |
| Termination Style             |        |        |        |        |
| Contact Resistance            |        |        |        |        |
| Minimum Insulation Resistance |        |        |        |        |
| Dielectric Strength           |        |        |        |        |
| Panel Cut Out Size            |        |        |        |        |
| Panel Cut Out Width           |        |        |        |        |
| Panel Cut Out Height          |        |        |        |        |
| Panel Cut Out Diameter        |        |        |        |        |
| Mounting Type                 |        |        |        |        |
| Operating Temperature Range   |        |        |        |        |
| IP Rating                     |        |        |        |        |
| Compliance/Certifications     |        |        |        |        |

## CONSTRUCTIONAL DIAGRAM/CIRCUIT DIAGRAMS