

## FEATURES

- For Solar PV power generation systems
- Male and Female fused connectors with NEC Interlocks
- Takes 10 x38mm 1000V solar fuse (not included)
- Flame retardant thermoplastic with UV protection
- Watertight IP68
- Suitable for cable sizes from 2.5, 4.0 and 6.0mm<sup>2</sup>
- TUV certified to EN50618

# RS PRO Solar Connectors Fused Male and Female

RS Stock No.: 2394960



RS Professionally Approved Products bring to you professional quality parts across all product categories. Our product range has been tested by engineers and provides a comparable quality to the leading brands without paying a premium price.

### Product Description

- Solar Fused connections used for connecting cables safely in Solar PV power generation systems
- For all solar applications with NEC interlocks and 1000V DC capability
- Solar Fused PV connectors with crimp connection and part of a range of branch, panel & inline fuse options and unlocking tools for safe, reliable IP rated connections in Solar power generating sets

### General Specifications

<b>Number Of Contacts</b>	1 per Male 1 per Female
<b>Gender</b>	Male & Female
<b>Body Orientation</b>	Straight
<b>Mounting Type</b>	Straight fused connection
<b>Connector</b>	NEC Interlock
<b>Part Code options</b>	RS Pro 2394964 (Male Connector only) RS Pro 2394962 (Female Connector only) RS Pro 2394960 (Male and Female connector)
<b>Locking system</b>	Snap in with NEC interlock
<b>Termination Method</b>	Crimped Connection Internally
<b>Contact Material</b>	Copper with Tin plating
<b>Insulating Material</b>	NORYL 9406P PPE+PS
<b>Dimensions</b>	Male and Female fused connector 118.5x24x13mm
<b>Pollution Degree</b>	3
<b>Operating Cycle</b>	100
<b>Number of Bendings</b>	100
<b>Application</b>	All Solar PV System generating sets
<b>Stripping Length</b>	8mm-10mm
<b>Insertion Force</b>	≤50N
<b>Withdrawal Force</b>	≥50N
<b>Salt Mist Spray Test</b>	IEC60068-2-52, Severity Level 6
<b>Material Flammability Rating</b>	UL94 V-0

### Electrical Specifications

<b>Current Rating</b>	25A (2.5 mm <sup>2</sup> ), 45A (4 mm <sup>2</sup> ), 54A (6 mm <sup>2</sup> ) TUV
<b>Voltage Rating</b>	1000V DC
<b>Rated Impulse Voltage</b>	12kV
<b>Rated Withstand Voltage</b>	6kV
<b>Application Class</b>	A
<b>Contact Resistance</b>	<0.25 mΩ
<b>Fuse required?</b>	Yes - dependent of fuse size from 4A to 30A
<b>Built in contacts?</b>	Yes

### Mechanical Specifications- Fused Male and Female

<b>Length</b>	118.5mm
<b>Width</b>	24.0mm
<b>Depth</b>	13.0mm
<b>Maximum Mating Force</b>	≤50N
<b>Minimum Unmating Force</b>	≥50N
<b>Stripping Length</b>	8mm-10mm

### Operation Environment Specifications

<b>Maximum Operating Temperature</b>	+110°C Limit Temperature (+85°C Upper Ambient Temperature)
<b>Minimum Operating Temperature</b>	-40°C Lower Ambient Temperature

### Protection Category

<b>Degree Of Protection</b>	IP 68 Mated Condition (10hrs @1m)
-----------------------------	-----------------------------------

### Classification

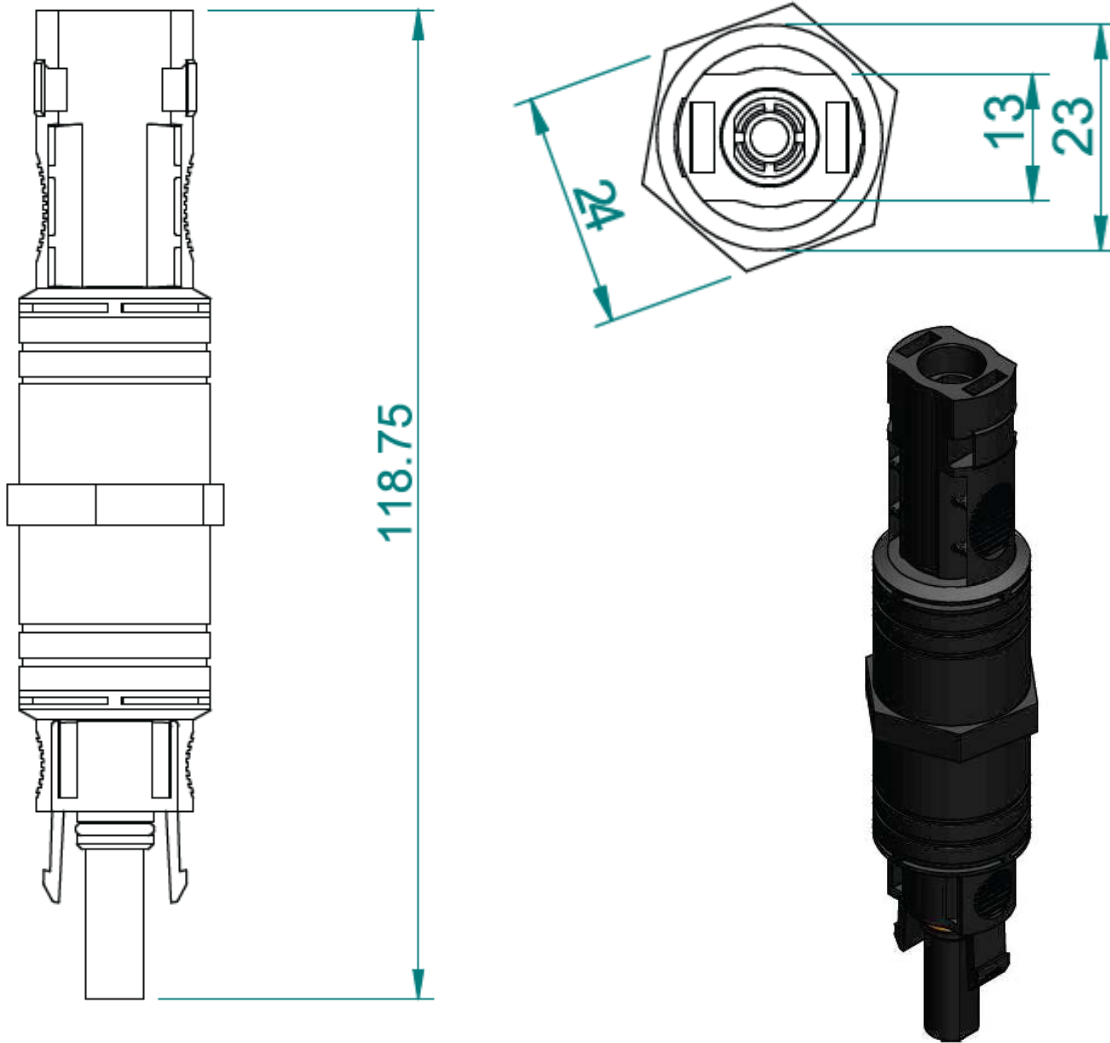
<b>eCI@ss Version</b>	V11.0: 27060313
<b>UNSPSC Version</b>	39122221
<b>ETIM 8.0 Version</b>	EC002635
<b>Harmonisation Code</b>	85369090

### Approvals

<b>Compliance/Certifications</b>	CE / UKCA / TUV
<b>Declarations</b>	IEC 62582:2014 IEC 60269-2:2013 IEC 60269-1:2014

Dimensional Drawings

Female & Male Fused Connector



Tools

Tool required for opening	Yes - RS Pro Stock no 239-4987
---------------------------	--------------------------------

