

Datasheet

Rack Case, 2U, 88 mm x 84 HP x 153 mm

RS Stock number 224-212

'CLAM' CASE

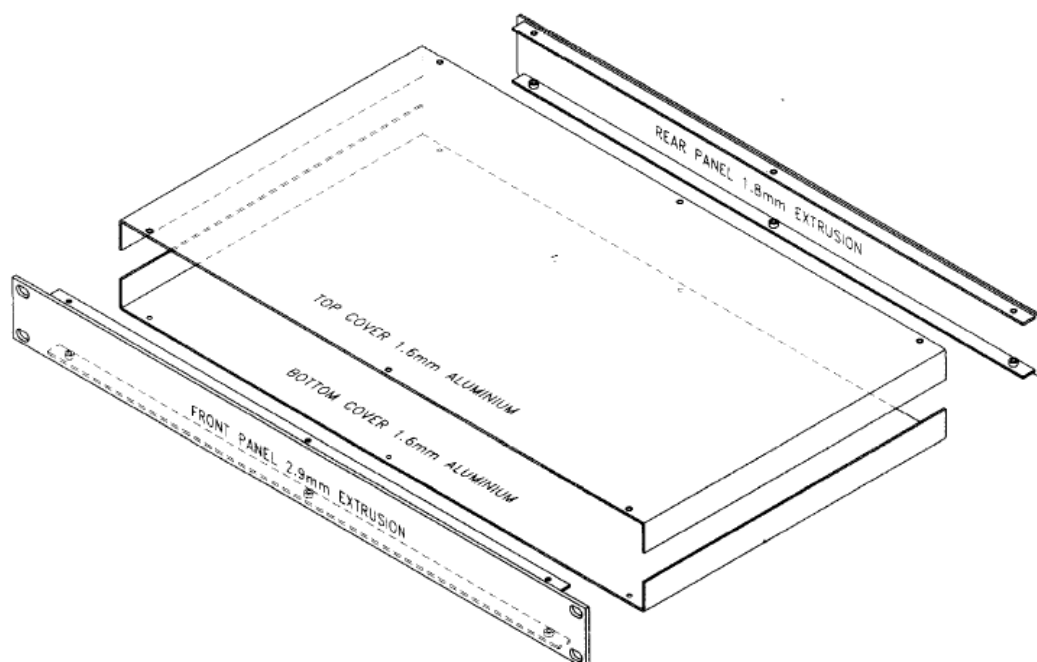
For requirements where the separate side panels and the top and bottom covers of the standard IPK 19" rack-mounting case are not necessary, the 'clam' case provides a useful alternative for the 1U and 2U (1.75"/44.45mm and 3.5"/88.9mm) sizes.

The 'clam' case uses the unique IPK extrusion for the 3mm front and 1.8mm rear panels, and the 16swg (1.6mm) top and bottom covers are formed to provide the sides, fitted tightly together as the name suggests.

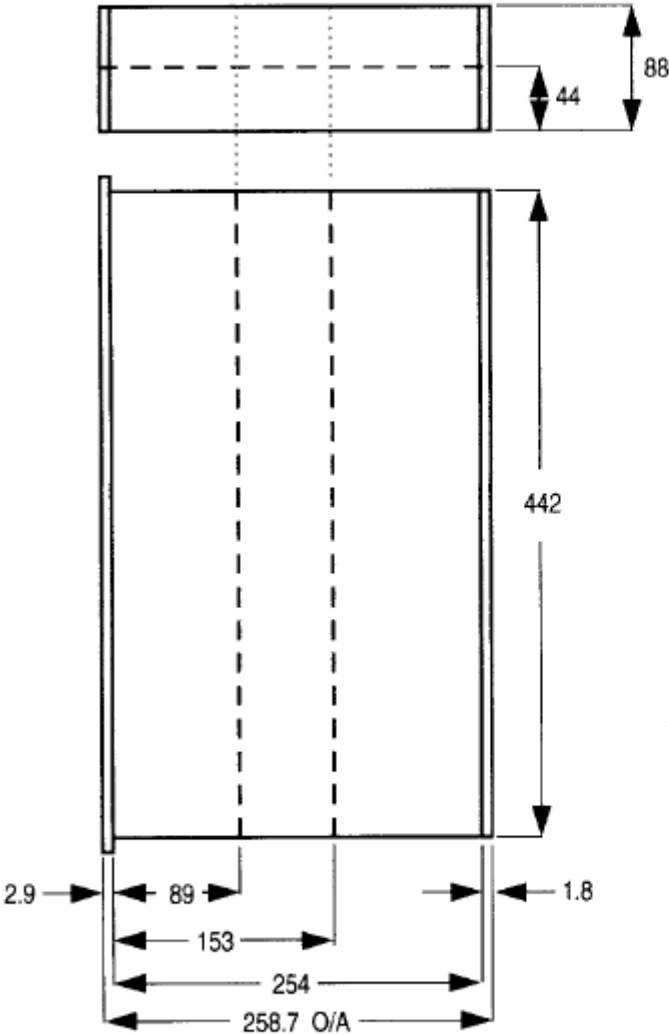
The standard sizes of 89mm, 153mm and 254mm depths in 1U and 254mm in 2U heights are normally available from stock, finished in natural anodised aluminium with Dawn Grey stove enamelled front panel.

The front and rear panels can easily be drilled or punched for any required controls or connectors using standard hand tools; alternatively IPK's custom metalwork service will be pleased to quote for any special requirements.

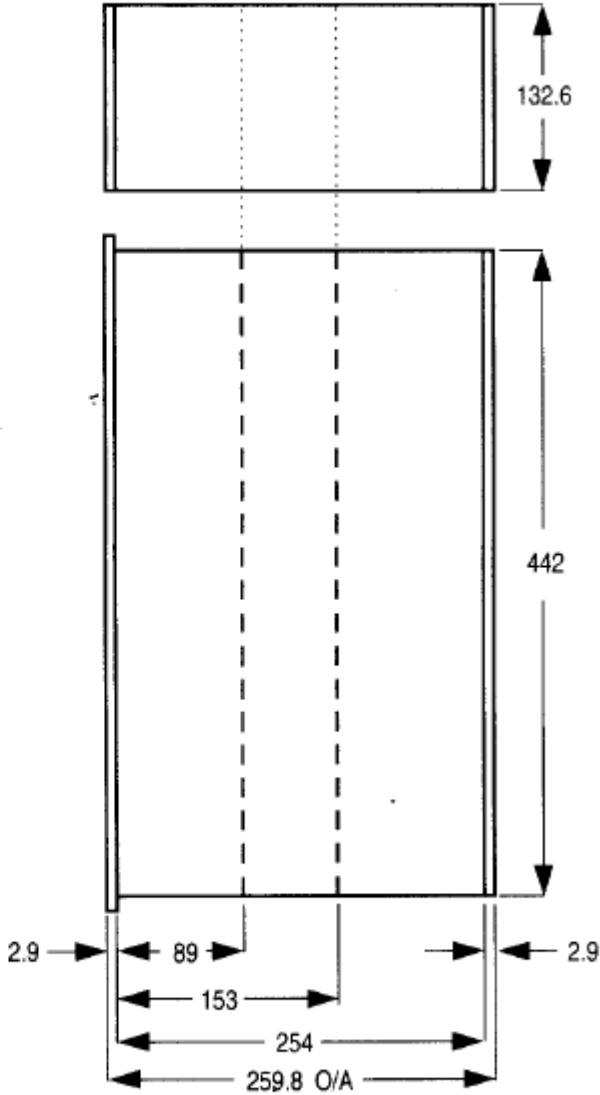
Other depths or different finishes may be ordered if required.



**1U and 2U All-Extruded
19" Rack-Mounting Cases**



**3U All-Extruded
19" Rack-Mounting Cases**



All dimensions in mm.