

FEATURES

- Back entry analogue positive pressure gauge
- Pressure measurement range of 0 bar to 6 bar
- Dual-scale gauge with measurements in bar and PSI
- Outside gauge diameter of 40 mm
- Connection size of R 1/8
- Best accuracy of $\pm 1.6\%$
- Case made of plastic
- Minimum operating temperature of -40°C
- Maximum operating temperature of $+60^{\circ}\text{C}$
- Reliable and cost-effective
- Design per EN 837-1
- Nominal size 40, 50, 63, 80 and 100
- Scale ranges up to 0 ... 400 bar

RS PRO Back Entry Pressure Gauge 6bar

RS Stock No.: 405-5537



RS Professionally Approved Products bring to you professional quality parts across all product categories. Our product range has been tested by engineers and provides a comparable quality to the leading brands without paying a premium price.

Product Description

This analogue positive pressure gauge from the RS PRO range is a precise and reliable solution for checking the pressure of liquids or gases. It offers measurements with a best accuracy of $\pm 1.6\%$.

This pressure gauge makes use of a Bourdon tube system, measuring pressure through the deformation of an internal coil made of a copper alloy. This means that it has no electrical components and requires very little maintenance. It's a highly versatile instrument that can operate effectively at temperatures ranging from -40°C to $+60^{\circ}\text{C}$. It can measure pressures between 0 bar and 6 bar with the option to display measurements in PSI. Its plastic case makes it lightweight and easily portable.

General Specifications

Pressure Gauge Type	Back Entry
Minimum Pressure Measurement	0bar
Maximum Pressure Measurement	6bar
Pressure Unit	bar
Connection Size	R 1/8
Connection Location	Rear
Case Material	Plastic
Pointer	Plastic, black
Window	Plastic, crystal-clear, snap-fitted in case
Dial	Plastic, white, with pointer stop pin
Best Accuracy	$\pm 1.6\%$ (2.5 Class)
Colour	Black
Applications	For gaseous and liquid media that are not highly viscous or crystallising and will not attack copper alloy parts, Pneumatics, Heating and air-conditioning technology, Small-capacity compressors, Medical engineering

Mechanical Specifications

Gauge Outside Diameter	40mm
Weight	0.06kg

Operation Environment Specifications

Minimum Operating Temperature	-40°C
Maximum Operating Temperature	+60°C



Standard version

Process connection

Copper alloy,
centre back mount (CBM)
NS 40: G 1/8 B (male), 14 mm flats
NS 50, 63: G 1/4 B (male), 14 mm flats
NS 80, 100: G 1/4 B (male), 14 mm flats

Pressure element

Copper alloy,
≤ 60 bar: C-type
> 60 bar: Helical type

Movement

Copper alloy

Dial

NS 40, 50, 63: Plastic, white, with pointer stop pin
NS 80, 100: Aluminium, white, with pointer stop pin
Black lettering

Pointer

Plastic, black

Case

Plastic, black
NS 100: Steel, black

Window

Plastic, crystal-clear, snap-fitted in case

Options

- Other process connection
- Accuracy class 1.6
- Case steel, black
- Triangular bezel with mounting bracket

Special versions

For closed heating systems

NS 63, 80
with red mark pointer and adjustable green sector,
scale range 0 ... 4 bar, red mark at 2.5 or 3 bar

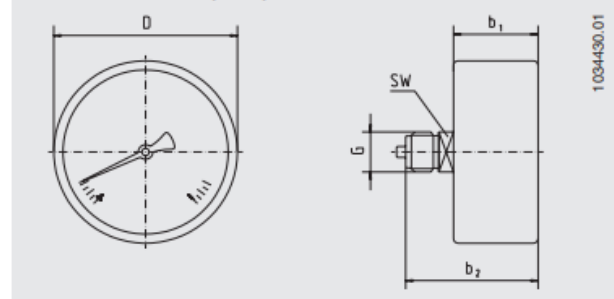
For water-level indication (hydrometer)

NS 80
Scale ranges 0 ... 0.6 to 0 ... 40 bar, with second scale in
mWS

Dimensions in mm

Standard version

Centre back mount (CBM)



NS	Dimensions in mm		D	G	SW	Weight in kg
	b ₁ ±0.5	b ₂ ±1				
40	26	42	39	G 1/8 B	14	0.06
50	29.5	47.5	49	G 1/4 B	14	0.07
63	29	47	62	G 1/4 B	14	0.08
80	32	49	79	G 1/4 B	14	0.11
100	31	49	99	G 1/4 B	14	0.26

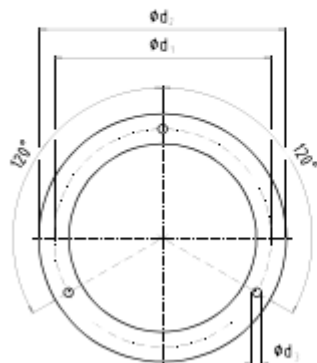
Process connection per EN 837-1 / 7.3

Analogue Positive Pressure Gauges

3-hole panel or surface mounting flanges for round case gauges

Not applicable for gauges with electrical accessories

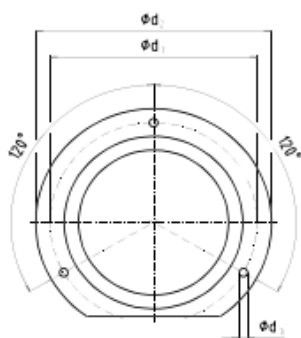
3-hole panel mounting flange ¹⁾



1035 886

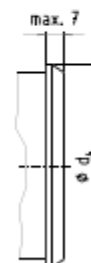
1035 886

3-hole panel mounting flange ²⁾



1035 894

Narrow rim bezel with clamp ¹⁾

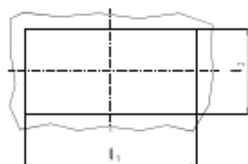


1241 800

Size	Dimensions [mm]					
	d_1	d_2	d_3	d_4 max.	Panel cut-out to suit back entry gauges	
					3-hole mounting	Clamp mounting
40	51	61	3,6	44	$44 \pm 0,3$	$41,5 + 0,5$
50	60	71	3,6	55,5	$54 \pm 0,3$	$51 \pm 0,5$
63	75	85	3,6	69	$67 \pm 0,3$	$64,5 + 0,5$
80	95	110	4,8	88	$84 \pm 0,3$	82 ± 1
100	116	132	4,8	108	$104 \pm 0,5$	$102 + 1$
160	178	196	5,8	168	$164 \pm 0,5$	$162 + 1$
250	270	285	5,8	-	$254 \pm 0,5$	-

2) Some gauges may feature lugs instead of a full size rim.

Panel cut-out dimensions per DIN 43 700 for square and edgewise panel mounting gauges



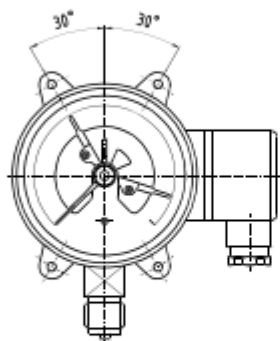
1035 878

Size	Dimensions [mm]			
	l_1		l_2	
		Tolerance + ... 0		Tolerance + ... 0
48 x 24	45	+ 0.6	22.2	+ 0.3
72 x 36	68	+ 0.7	33	+ 0.6
72 x 72	68	+ 0.7	68	+ 0.7
96 x 96	92	+ 0.8	92	+ 0.8
144 x 144	138	+ 1.0	138	+ 1.0
144 x 72	138	+ 1.0	68	+ 0.7

Analogue Positive Pressure Gauges

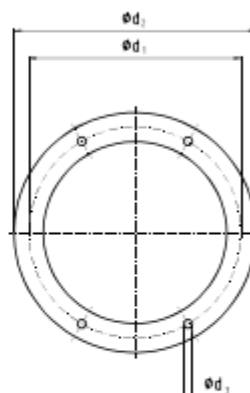
3-hole panel mounting flange Round case gauges with electrical accessories

Mounting lugs at case of gauge
(holding gauge in panel)



1294 687

Outer panel ring
(covering panel cut-out)

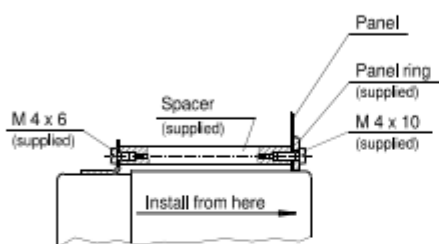


Size	Dimensions [mm]			
	d ₁	d ₂	d ₃	Panel cut-out Ø
100	116	132	4.8	105
160	178	196	5.8 ¹⁾	165

1) Mounting lugs with internal thread M 5.

Panel assembly for gauges with inbuilt electrical accessories

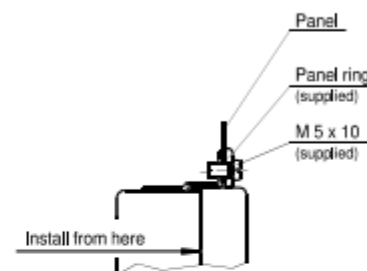
100 mm diameter



1294 695

The assembly consists of
Outer panel ring
4 spacers
8 screws M 4

160 mm diameter



1294 709

The assembly consists of
Outer panel ring
4 spacers
Additionally required
4 screws M 5 x 10

Note: In addition to this data sheet, mounting drawings referring to the respective models can be supplied.

Specifications and dimensions given in this leaflet represent the state of engineering at the time of printing. Modifications may take place and materials specified may be replaced by others without prior notice.