

Datasheet

RS Anodised Polyamide Fixed Left, Right-Handed Hinge, 35mm x 30mm x 5.3mm

Stock Number: 770-2983



This torque hinge range is meant for articulating and holding a panel or door with no additional hardware thus simplifying design and saving installation time.

Main features:

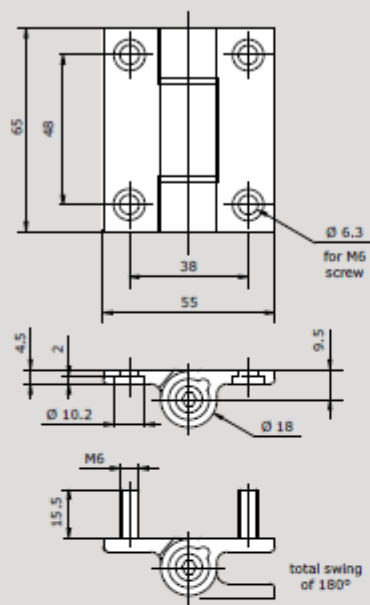
- **Reduced** dimensions
- **Adjustable** holding torque with the aid of a **setting screw**
- Good corrosion **resistance**
- Suitable for **flush/nested** door
- Suitable for **RH** and **LH** doors
- Exists in **2 dimensions** (65 and 30)
- Fixing by **screws** or **studs**
- **Custom made** hinges, please ask us

Application examples:

- door panels
 - industrial display
 - seat headrest
 - vehicles interior trimming
- Etc.

Material:

aluminium, anodised (clear or black) or raw aluminium
cartridge: POM (polyacetal resin)
setting screw: stainless steel
washers: PA (polyamide), white or black
studs: steel, zinc plated, white or black



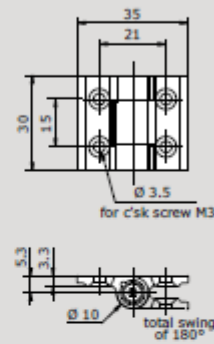
Scale: 1/2

Friction hinge version 65 (dimensions)

Part numbers	Fixing	Finish
7702986	With holes	Clear anodised
7702980	With holes	Black anodised
1831641	With studs	Black anodised

Other information:

Holding torque: 0 to 5 N.m maximum *
 Setting key: hex 4 (not supplied)
 Tensile strength: 6,000 N
 Shear strength: 5,000 N
 Recommended temperature range: -20°C +80°C
 Fixing screws: according to DIN 912
 * dynamic range at room temperature



Scale: 1/2

Friction hinge version 30 (dimensions)

Part numbers	Fixing	Finish
1831640	With holes	Black anodised

Other information:

Holding torque: please ask
 Setting key: hex 2.5 (not supplied)
 Tensile strength: 2,240 N
 Shear strength: 1,050 N
 Recommended temperature range: please ask
 Fixing screws: according to DIN 7991
 * dynamic range at room temperature