



Datasheet

EN

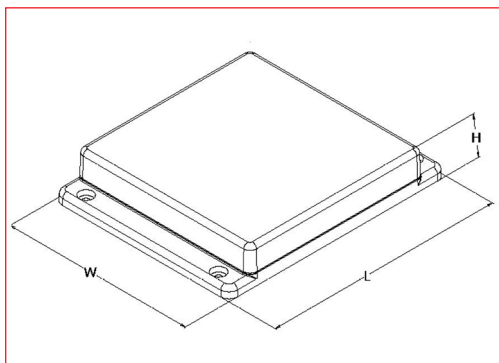
Product overview

Multi-purpose flanged enclosure designed for wall-mounting or surface mount devices.



- Suitable for measuring instruments, communication devices, controllers etc
- Lid and base moulded in flame resistant ABS.
- Lid mounted by four M3 machine screws
- Excellent properties for machining
- Available in 18 sizes in white and dark grey, UL94-V0
- 83 series has been designed to meet the requirements of IP40





SPECIFICATION	
Materials	Lid and base high impact ABS UL94-V0
Operating temperature	-10°C to +60°C
Standard colours	Off white and dark grey
Protection class	83 series has been designed to meet the requirements of IP40
Standard unit includes	Base and lid Nickel plated screw

SIZE	DARK GREY	OFF-WHITE	LENGTH	WIDTH	HEIGHT
7	1533694	1533698	111mm	45.6mm	27.5mm
9	1533682	1533697	127mm	70.6mm	35.5mm
10	1533679	1533677	127mm	70.6mm	50.5mm
14	1533675		100mm	80.6mm	43.5mm
15	1533699	1533700	190mm	86mm	35mm
16	1533676		190mm	86mm	60mm