

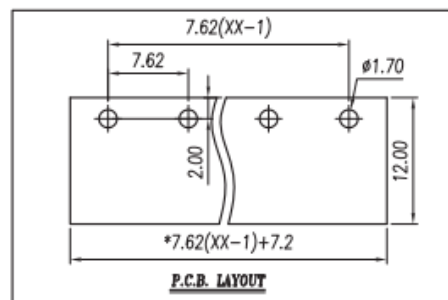
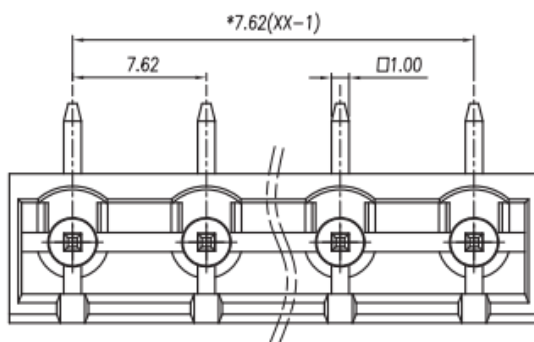
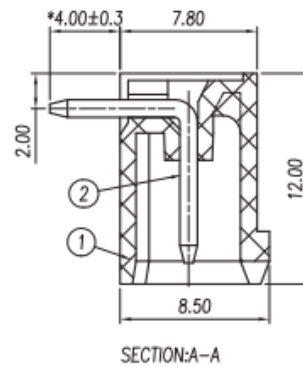
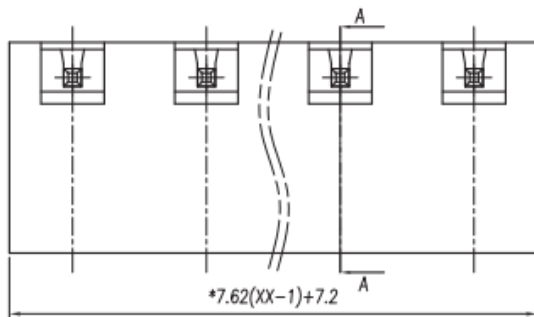
Datasheet

New 7.62mm Header Horizontal 15A 8 Way

RS Stock 874-5420



Dimensions: (mm)





Specifications

- Rated Voltage: 300V 8A
- Rated Current: 15A
- Pitch: 7.62mm
- Poles: 2p-24p
- Contact Resistance: 20mΩ
- Insulation Resistance: 500ΩM or more at DC500V
- Withstanding Voltage: AC 2000V/1 min
- Temperature Range: -40°C ~ +105°C
- RoHS Compliance

Materials

- Housing: PA66 / UL94V-0
- Pin Header: Brass / Tin Plated

Tolerances

	linear dimension					fillet	chamfer		∠ short angle sid				≡	—	□	//	⊥
	variable	over	over	over	over			over		over	over	over					
range	to	6	30	120	480	all	to	6	to	10	50	120	all	to	5	30	120
tolerance	±0.1	±0.2	±0.3	±0.5	±0.9	±0.2	±0.5	±1	1°	30'	20'	10'	0.5	0.025	0.06	0.12	0.4