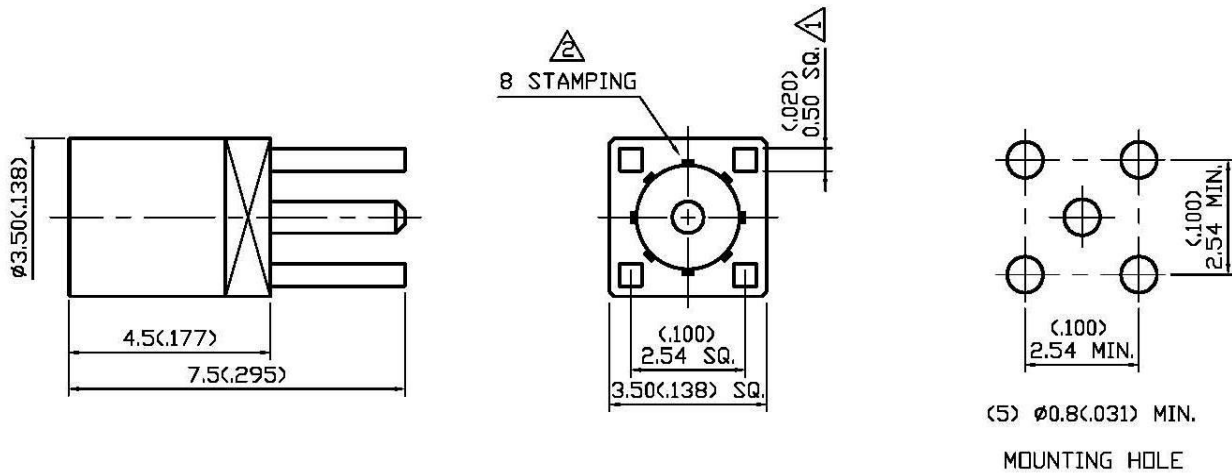


NO	DESCRIPTION	DATE
①	BACKGROUND FORMAT UPDATED 0.5 SQ. → 0.50 SQ.	08.06.02'
②	ADD 8 STAMPING	06.30.03'
③	MODIFICATION NOTES 4.	10.18.04'
④	BACKGROUND FORMAT UPDATED	03.16.09'
⑤	DEL. PROOF VOLTAGE WORKING VOLTAGE → VOLTAGE RATING	11.15.13'



### 1.0 ELECTRICAL

- 1.1 FREQUENCY RANGE: DC-8 GHz
- 1.2 NOMINAL IMPEDANCE: 50 OHMS
- 1.3 VOLTAGE RATING: 250 VOLTS MAX. ⑤
- 1.4 VSWR: 1.22 MAX.

### 2.0 MATERIALS

- 2.1 BODIES: BRASS PER JIS-C3804
- 2.2 CENTER CONTACT: BERYLLIUM COPPER PER ASTM B196 UNS C17300
- 2.3 INSULATION: TEFLON PER ASTM D1457 AND ASTM D1710

### 3.0 FINISHES AND OTHERS

- 3.1 SEE BELOW TABLE FOR DETAILS.

### 4.0 MECHANICAL

- 4.1 INTERFACE IN ACCORDANCE WITH: BS EN 122340 ③

### 5.0 ENVIRONMENTAL

- 5.1 OPERATING TEMPERATURE RANGE: -55° C TO +155° C

3	CENTER CONTACT	BERYLLIUM COPPER	1	GOLD 30 μ" MIN.
2	INSULATION	TEFLON	1	NONE
1	BODY	BRASS	1	GOLD 3 μ" MIN.
NO	DESCRIPTION	MATERIAL	Q' TY	FINISH



APPROVED

by \_\_\_\_\_ DATE: \_\_\_\_\_

DESCRIPTION		MMCX STRAIGHT PCB MOUNT JACK RECEPTACLE							
製圖	DRAWN <i>Kristina</i>	TOLERANCE	品名	37-06	T.G.G	日期	DATE	版次	REV.
檢圖	CHECK <i>Arc</i>	.X ±0.2	TITLE	\ROHS COMPLIANT (<50Ω)			09.18.99'		A-5
認定	APPROVAL <i>Angela</i>	.XX ±0.1	單位	mm(in)	DWG.NO.	37-0006			
		.XXX ±0.05	比例	SCALE					
		ANGLE ±5°	比例	8:1					